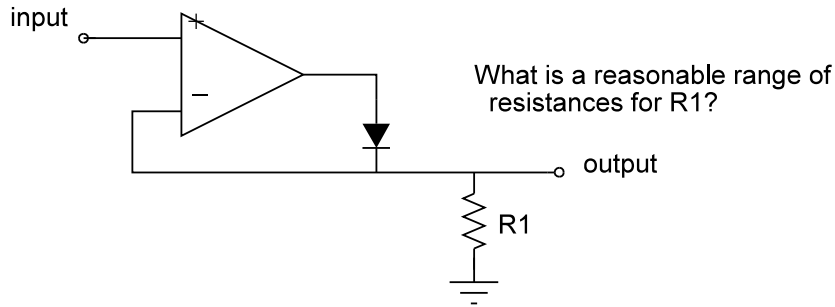


ENGR-356

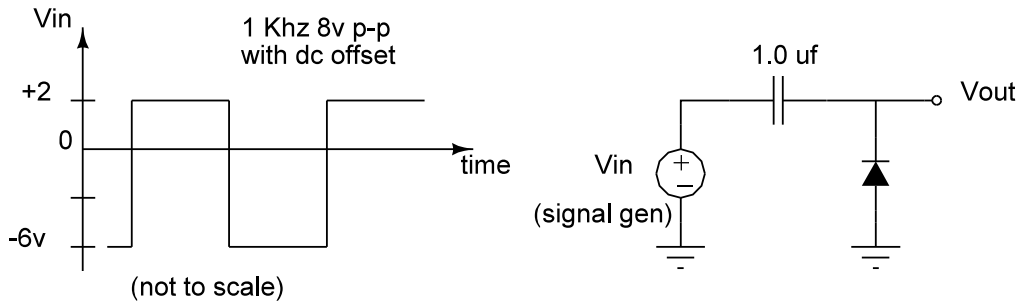
Lab # 5 - diode based circuits

The goal today is to experimentally observe operation of three types of circuits based on diodes. Construct each circuit and test. Document your observations regarding the behavior of the circuit, i.e. output voltages (AC and DC as appropriate) in relation to input, affect of a resistive load attached to the circuit, output variation as a function of components used, etc. Sketches of waveforms likely will assist your text in documenting observations.

Circuit 1)



Circuit 2)



Circuit 3)

$V_{in} = 5v$ p-p sine wave.
Also use a 5v p-p square wave with no DC offset

