

Spartan-6 FPGA Configuration

User Guide

UG380 (v2.5) January 23, 2013



Notice of Disclaimer

The information disclosed to you hereunder (the "Materials") is provided solely for the selection and use of Xilinx products. To the maximum extent permitted by applicable law: (1) Materials are made available "AS IS" and with all faults, Xilinx hereby DISCLAIMS ALL WARRANTIES AND CONDITIONS, EXPRESS, IMPLIED, OR STATUTORY, INCLUDING BUT NOT LIMITED TO WARRANTIES OF MERCHANTABILITY, NON-INFRINGEMENT, OR FITNESS FOR ANY PARTICULAR PURPOSE; and (2) Xilinx shall not be liable (whether in contract or tort, including negligence, or under any other theory of liability) for any loss or damage of any kind or nature related to, arising under, or in connection with, the Materials (including your use of the Materials), including for any direct, indirect, special, incidental, or consequential loss or damage (including loss of data, profits, goodwill, or any type of loss or damage suffered as a result of any action brought by a third party) even if such damage or loss was reasonably foreseeable or Xilinx had been advised of the possibility of the same. Xilinx assumes no obligation to correct any errors contained in the Materials or to notify you of updates to the Materials or to product specifications. You may not reproduce, modify, distribute, or publicly display the Materials without prior written consent. Certain products are subject to the terms and conditions of the Limited Warranties which can be viewed at <http://www.xilinx.com/warranty.htm>; IP cores may be subject to warranty and support terms contained in a license issued to you by Xilinx. Xilinx products are not designed or intended to be fail-safe or for use in any application requiring fail-safe performance; you assume sole risk and liability for use of Xilinx products in Critical Applications: <http://www.xilinx.com/warranty.htm#critapps>.

© Copyright 2009–2013 Xilinx, Inc. Xilinx, the Xilinx logo, Artix, ISE, Kintex, Spartan, Virtex, Zynq, and other designated brands included herein are trademarks of Xilinx in the United States and other countries. PCI, PCI Express, PCIe, and PCI-X are trademarks of PCI-SIG. All other trademarks are the property of their respective owners.

Revision History

The following table shows the revision history for this document.

Date	Version	Revision
06/24/09	1.0	Initial Xilinx release.
02/17/10	2.0	<p>Changed REBOOT command to IPROG command throughout the document.</p> <p>Chapter 1: In The High-Speed Priority Option, changed the configuration data size to 3.6 Mb (XC6SLX16). In FPGA Density Migration on page 21, changed the required configuration memory size to 2.6 Mb (XC6SLX9) and 3.6 Mb (XC6SLX16). In Protecting the FPGA Bitstream against Unauthorized Duplication, clarified which Spartan-6 devices have AES decryption logic.</p> <p>Chapter 2: Removed the caution statement following Table 2-1. In Figure 2-2, Figure 2-3, Figure 2-6, Figure 2-7, Figure 2-12, and Figure 2-20, changed VCCO_2 resistor to 2.4 kΩ; added V_{FS} and V_{BATT} ports, added the SUSPEND pin, and added four notes to the end of the Notes section following each figure. In Figure 2-2 and Figure 2-6, removed “either 2.5V or 3.3V” from note about Spartan-6 FPGA VCCO_2 and the Platform Flash PROM V_{CCO} supply inputs. In Note 12 under Figure 2-12 and Note 10 under Figure 2-20, included PLL lock wait. In Figure 2-2, changed PROGRAM_B pull-up power to VCCO_2. Removed Slave DIN from Figure 2-4. Added sentence about SelectMAP unavailability to the first paragraph of SelectMAP Configuration Interface. Added sentence about toggling to the BUSY description in Table 2-3. In Figure 2-6, added a 4.7 kΩ pull-up to PROGRAM_B. Added BUSY to Note 14 under Figure 2-6. Added “configuration and” to Note 2 under Figure 2-7. Moved placement of Table 2-6 and Table 2-7. Removed mention of Winbond’s SPI flash from Table 2-6. Changed the first paragraph of CSL_B. Revised the RDWR_B section. In Note 1 under Figure 2-9, indicated that CSI_B cannot be deasserted during the sync word. In Figure 2-12, changed 3.3V to VCCO_2. In Master BPI Configuration Interface, updated the devices and packages that do not support the BPI interface; indicated A22 and A23 are not in the CSG225 package; and added “top boot” to parallel NOR flash. In Table 2-7, removed the reference to the BYTE# port in the HDC and LDC descriptions. In Figure 2-20, connected VCCO_1 and BYTE# to VCCO_1 and added pull-up resistors to FCS_B, FOE_B, and FWE_B. Added Note 5 and 6 after Figure 2-20. Removed note about CCLK being free from reflections to avoid double clocking in Board Layout for Configuration Clock (CCLK).</p> <p>Chapter 4: Changed the last sentence in the first paragraph of ICAP_SPARTAN6. In the first paragraph of STARTUP_SPARTAN6, changed EOS to configuration.</p> <p>Chapter 5: Throughout this chapter, included waiting for PLLs to lock along with DCMs. In Table 5-1, added rows for V_{FS}, V_{BATT}, and RFUSE; added Note 4; and changed pin name CMP_CS_B to CMPCS_B and updated its description. Transferred FPGA I/O Pin Settings During Configuration from Chapter 1 and Reserving Dual-Purpose Configuration Pins (Persist) from Chapter 2. In FPGA I/O Pin Settings During Configuration, indicated that all user I/Os have optional pull-ups. Added Note 3 to Table 5-2. In Table 5-3, added Note 1 and revised Note 2. In Table 5-5, changed the values in the “Total Number of Configuration Bits” column. In Device Power-Up (Step 1), changed the second and third paragraphs and added -4 to the fourth paragraph. In Table 5-11, added V_{FS} and VCCO_5; changed V_{FS} and V_{BATT} descriptions; deleted “Value” and “Units” columns; added Notes 1, 4, and 5; and updated Note 2 to add V_{FS}. Changed the second paragraph following Figure 5-4. Changed the last paragraph in Check Device ID (Step 5). Added clocking specifics for the sequential state machine in the first paragraph of Startup (Step 8). In Table 5-17, revised the DCM_LOCK description and moved Note 3 text to Startup (Step 8). Added new paragraph after Table 5-17. In Loading the Encryption Key, clarified the type of programming cable and rephrased the last sentence in the last paragraph. Changed the fourth and fifth paragraphs of Loading Encrypted Bitstreams. Added the eFUSE section. In Table 5-22, changed the values under the “Total Bits” column. Revised the GENERAL2 and GENERAL4 descriptions in Table 5-30. In Boot History Status Register (BOOTSTS), changed the description of how this register is reset. In Table 5-48, changed bits 2 and 8 to “Reserved.” In Figure 5-16, added a buffer between DOUT and DIN. Added sentence prior to Figure 5-16 about the new buffer. Added the Bitstream Compression section.</p> <p>Chapter 6: Changed the first paragraph. In Table 6-1, changed the “Configuration Data [15:0]” values for Steps 6 and 12. Changed the step numbers in the first sentence under Table 6-1. Added a sentence on SelectMAP data ordering to the paragraph preceding Figure 6-2. In Figure 6-2, changed the timing diagram.</p> <p>Chapter 7: In MultiBoot Overview, changed the last paragraph and removed the caution statement. Made numerous changes to Fallback Behavior. In Reboot Using ICAP_SPARTAN6, changed “next bitstream” to “MultiBoot bitstream” in the first paragraph and changed step 2 in the sequence of commands. In Table 7-1, swapped the values of the Sync words, made changes in the “Explanation” column, and added Note 1 and Note 2. In Watchdog Timer, changed the first sentence in the first three paragraphs.</p> <p>Chapter 8: On page 134, changed slice to frame in the first bullet, revised the fourth bullet, and removed the bullet about transceiver DRPs not being masked.</p> <p>Chapter 9: Changed Table 9-1.</p>
02/22/10	2.1	<p>Changed the supported encryption data widths to x1 and x8 in the Bitstream Encryption section. In the third paragraph of Loading Encrypted Bitstreams, clarified that the configuration bitstream can be delivered in an x1 or x8 data width configuration mode, and indicated that SPI x2 and x4, BPI x16, and SelectMAP x16 bus widths are not supported for encrypted bitstreams.</p>

Date	Version	Revision
07/30/10	2.2	<p>Changed the value of pull-up resistors connected between DONE and VCCO_2 from 2.4 kΩ to 330Ω in Figure 2-2, Figure 2-3, Figure 2-6, Figure 2-7, Figure 2-12, and Figure 2-20. Changed the value of the pull-up the resistor connected between INIT_B and VCCO_2 from 2.4 kΩ to 4.7 kΩ in Figure 2-3 and Figure 2-6. Added ports RDWR_B and CSI_B to FPGA (tied to ground) in Figure 2-6. Added second and third paragraphs about configuration clock frequency to Master Modes. Added introductory sentence and two bullets about SelectMAP considerations to SelectMAP Configuration Interface section. Added sentence about V_{REF} to description of RDWR_B in Table 2-3. Added sentence to first paragraph of CSI_B section indicating that CSI_B should not be deasserted in the middle of a sync word. Reformatted the first paragraph in Master BPI Configuration Interface into one paragraph followed by bullets, and added the bullet indicating the removal of the BPI configuration interface from the XC6SLX25/T devices. Changed "VCCO_0" to "VCCO_2" in Figure 2-22, Figure 2-23, and Figure 2-24. Changed second paragraph in Providing Power section. Added "if Suspend feature is not used" and Note 4 to Table 5-2. Changed table reference from Table 5-4 to Table 5-3 in first paragraph of Configuration Pins section. Added "Dual-Purpose" to Table 5-3 title. Changed "LVCMOS25 8 mA SLOW" to "LVCMOS 8 mA SLOW" in second paragraph of Device Power-Up (Step 1). Changed CCLK Output Delay symbol in Table 5-12 from "T_{ICCK}" to "T_{BPIICCK} or T_{SPIIICCK}" and added Note 2. Changed "V_{POR}" to "the recommended operating voltage" in the paragraph following Figure 5-4. Added fourth paragraph about startup waiting for DCMs and PLLs by assigning the LCK_CYCLE option to Startup (Step 8). Removed "DSP" from title in Figure 5-13. Added third bullet to Bitstream Compression section under overall benefits on page 110. Changed "warm boot" to "MultiBoot" in first paragraph of Fallback Behavior section. Added sentence indicating how to generate the bitstream automatically to fourth paragraph of Fallback Behavior section. Added last sentence to Note 2 in Table 7-1. Changed "DCM_WAIT" to "LCK_Cycle" in Additional Memory Space Required for LCK_Cycle section title and text. Removed "66" from the possible values listed in the description for the POST_CRC_FREQ constraint. Removed NCF syntax examples from the Syntax Examples section. Changed "BPI UP" to "BPI" in Figure 9-4. Changed "BPI UP, or BPI Down" to "or BPI" in Note 7 (Notes relevant to Figure 9-4).</p>
07/06/11	2.3	<p>Updated description of INIT_B in Table 2-2 and Table 2-3. Added VCCO_2 of 3.3V to Note 16 on page 27, Note 9 on page 29, Note 18 on page 33, and Note 12 on page 35. Added a sentence about deasserting the CSI_B signal to Non-Continuous SelectMAP Data Loading. Updated After Configuration entries for CSO_B and INIT_B in Table 2-6. Updated Notes 11 and 16 on page 43. Updated description of INIT_B in Table 2-7. Updated Note 2 on page 50, and Notes 11 and 18 on page 51. Updated External Configuration Clock for Master Modes. Updated guideline about configuration in master mode in Board Layout for Configuration Clock (CCLK).</p> <p>Updated Note 2 after Table 5-3. In Table 5-5, updated Total Number of Configuration Bits column and added Note 2. Removed -4 speed grade from paragraph before Table 5-11. Added paragraph about external master clock pin after Table 5-17. Updated first paragraph of Bitstream Encryption. Updated RFUSE Pin. Changed bitstream length from 32 to 16 and added list of three types of configuration frames to Configuration Memory Frames. Removed Total Bits column from Table 5-22. Updated Type 2 Packet. Changed direction of RDBK_SIGN in Table 5-30 from R/W to W. Updated description of CRC_EXTSTAT_DISABLE in Table 5-34. Replaced type3 (PCFG) with type2 (IOB) in Frame Length Register. Added new paragraph before Table 5-41. Updated Boot History Status Register (BOOTSTS) and Bitstream Compression.</p> <p>Added readback limitations to Preparing a Design for Readback. Updated steps 7 and 8 in Table 6-2. Removed AES encryption from MultiBoot Overview. Added Note 3 to Table 7-4.</p> <p>Updated first sentence in second paragraph of page 133. Updated first paragraph of POST_CRC_INIT_FLAG.</p> <p>Updated Startup Sequencing (GTS).</p>

Date	Version	Revision
06/27/12	2.4	<p>Updated bullet about V_{BATT} being tied to V_{CCAUX} or ground in notes 8, 17, 11, 15, and 17 after Figure 2-3, Figure 2-6, Figure 2-7, Figure 2-12, and Figure 2-20 respectively. Updated notes after Figure 2-13. Updated references in SPI Configuration Interface. Updated Master SPI Dual (x2) and Quad (x4) Read Commands. In Master BPI Configuration Interface, updated support of Spartan-6 FPGAs for parallel NOR flash from 512 Mb to 1 Gb and for iMPACT software to program bottom boot parallel NOR flash. Updated note 2 after Figure 2-20. Replaced LVCMOS25 with LVCMOS in External Configuration Clock for Master Modes. Updated Board Layout for Configuration Clock (CCLK).</p> <p>Updated last paragraph of Providing Power.</p> <p>Updated note 1 after Table 5-1. Updated descriptions of V_{BATT} and V_{FS} in Table 5-11. Added note 2 to Figure 5-4. Removed sentence about ID error from Check Device ID (Step 5). Updated description of GTS startup setting after Table 5-16. Added note 3 to Table 5-17. Added SPI x1 to Loading Encrypted Bitstreams. Updated first row of Table 5-21. Updated FAR_MAJ Register and Boot History Status Register (BOOTSTS).</p> <p>Updated first paragraph of Configuration Memory Read Procedure (SelectMAP).</p> <p>Updated first paragraph of Status Register for Fallback and IPROG Reconfiguration.</p> <p>Added CRC Masking. Added POST_CRC_SOURCE to Post_CRC Constraints.</p> <p>Added paragraph about using SPI in a serial daisy-chain configuration to Serial Daisy-Chains. Updated SelectMAP Reconfiguration.</p>
01/23/13	2.5	<p>Updated first bullet in sixth paragraph in Overview. Added Vccaux Level. Removed “XC” from some device references throughout the user guide. Updated Figure 2-2, Figure 2-6, Figure 2-21, Figure 5-15, Figure 8-2, Figure 9-1, Figure 9-2, Figure 9-4, and Figure 9-5. Updated second paragraph in SelectMAP Configuration Interface. Updated second paragraph in Non-Continuous SelectMAP Data Loading. Updated sixth paragraph in Master BPI Configuration Interface.</p> <p>Updated Table 2-7, Table 4-3, Table 5-2, Table 5-19, Table 5-50, Table 6-2, Table 6-5, Table 6-6, and Table 10-4. Added Determining the Maximum Configuration Clock Frequency. Updated first paragraph after Table 2-8. Updated third paragraph in Board Layout for Configuration Clock (CCLK). Updated first paragraph in FPGA I/O Pin Settings During Configuration. Updated pin GCLK0 in Table 5-3. Updated second paragraph in Device Power-Up (Step 1). Updated first paragraph in Cyclic Redundancy Check (Step 7). Updated first paragraph in Startup (Step 8).</p> <p>Updated first and second paragraphs and Table 5-22 in Configuration Memory Frames. Updated third paragraph in Frame Length Register. Updated first paragraph in Identifier Memory Specifications. Updated Steps 3 and 6 in Configuration Register Read Procedure (SelectMAP).</p> <p>Updated Step 13 in Configuration Memory Read Procedure (SelectMAP). Updated first and sixth paragraphs following Figure 7-1. Updated first paragraph and Table 7-4 in Status Register for Fallback and IPROG Reconfiguration. Added Caution after first paragraph in Chapter 8, Readback CRC. Updated first and third bullet and note in CRC Masking. Changed “dynamic” to “distributed” in CLB with LUT Configured as Distributed RAM or Shift Register and in CLBs Near Top or Bottom IOI DRP with LUTs Configured as Distributed RAM. Added second paragraph to Bit Sequence Boundary-Scan Register.</p>

Table of Contents

Revision History	3
Preface: About This Guide	
Guide Contents	13
Additional Documentation	13
Additional Resources	14
Chapter 1: Configuration Overview	
Overview	15
Design Considerations	16
FPGA Configuration Data Source	16
Master Modes	16
Slave Modes	17
JTAG Connection	18
The Basic Configuration Solution	18
The Low-Cost Priority Solution	19
The High-Speed Priority Option	19
Conforming to PCI Link Activation Requirements	19
Single and Multiple Configuration Images	20
MultiBoot /Safe Update	20
Required I/O Voltages	20
Vccaux Level	20
Nonvolatile Data Storage	20
FPGA Density Migration	21
Production Lifetime	21
Protecting the FPGA Bitstream against Unauthorized Duplication	21
Loading Multiple FPGAs with the Same Configuration Bitstream	22
Configuration Factors	22
Chapter 2: Configuration Interface Basics	
JTAG Interface	23
Serial Configuration Interface	24
Master Serial	26
Slave Serial Configuration	27
Serial Configuration Data Timing	29
SelectMAP Configuration Interface	30
Single Device SelectMAP Configuration	31
Platform Flash PROM SelectMAP Configuration	32
Microprocessor-Driven SelectMAP Configuration	34
SelectMAP Data Loading	35
CSL_B	35
RDWR_B	36
CCLK	36
Continuous SelectMAP Data Loading	36
Non-Continuous SelectMAP Data Loading	37

SelectMAP Data Ordering	39
SPI Configuration Interface	40
Master SPI Vendor Auto-Detection and Error Handling	44
Master SPI Timing Waveform	45
Master SPI Dual (x2) and Quad (x4) Read Commands	45
Power-On Sequence Precautions	46
SPI Serial Daisy-Chain	47
Master BPI Configuration Interface	47
Determining the Maximum Configuration Clock Frequency	52
Power-On Sequence Precautions	53
External Configuration Clock for Master Modes	53
Board Layout for Configuration Clock (CCLK)	54

Chapter 3: Boundary-Scan and JTAG Configuration

Introduction	57
Boundary-Scan for Spartan-6 Devices Using IEEE Std 1149.1	57
Test Access Port (TAP)	57
Boundary-Scan Timing Parameters	58
Using Boundary-Scan in Spartan-6 Devices	59
Design Considerations	60
JTAG Signal Routing	60
Providing Power	60
Configuring through Boundary-Scan	61

Chapter 4: User Primitives

BSCAN_SPARTAN6	63
ICAP_SPARTAN6	64
STARTUP_SPARTAN6	65
DNA_PORT	65
SUSPEND_SYNC	66
POST_CRC_INTERNAL	67

Chapter 5: Configuration Details

Configuration Pins	69
FPGA I/O Pin Settings During Configuration	70
Reserving Dual-Purpose Configuration Pins (Persist)	71
Configuration Data File Formats	72
Bitstream Overview	73
Sync Word/Bus Width Auto Detection	74
Generating PROM Files	75
PROM Files for Serial Daisy-Chains	75
PROM Files for SelectMAP Configuration	75
PROM Files for SPI/BPI Configuration	75
Bit Swapping	75
Parallel Bus Bit Order	76
Delaying Configuration	77

Configuration Sequence	78
Setup (Steps 1-3)	78
Device Power-Up (Step 1)	78
Clear Configuration Memory (Step 2, Initialization)	80
Sample Mode Pins (Step 3)	81
Bitstream Loading (Steps 4-7)	81
Synchronization (Step 4)	81
Check Device ID (Step 5)	82
Load Configuration Data Frames (Step 6)	83
Cyclic Redundancy Check (Step 7)	83
Startup (Step 8)	84
Bitstream Encryption	86
Advanced Encryption Standard Overview	86
Creating an Encrypted Bitstream	87
Loading the Encryption Key	87
Loading Encrypted Bitstreams	87
Bitstream Encryption and Internal Configuration Access Port (ICAP)	88
V _{BATT}	88
eFUSE	88
eFUSE Registers	88
eFUSE Control Register (FUSE_CNTL)	89
JTAG Instructions	90
VFS Pin	91
RFUSE Pin	91
VCCAUX Pin	91
Configuration Memory Frames	91
Configuration Packets	92
Packet Types	93
Type 1 Packet	93
Type 2 Packet	93
Configuration Registers	94
CRC Register	95
FAR_MAJ Register	95
FAR_MIN Register	95
FDRI Register	96
FDRO Register	96
MASK Register	96
EYE_MASK Register	96
LOUT Register	96
CBC_REG Register	96
IDCODE Register	96
CSBO Register	96
Command Register (CMD)	97
Control Register 0 (CTL)	98
Status Register (STAT)	98
Configuration Options Register (COR1 and COR2)	100
Suspend Register (PWRDN_REG)	101
Frame Length Register	101
Multi-Frame Write Register	101
Configuration Watchdog Timer Register	102
HC_OPT_REG Register	102
GENERAL Registers 1, 2, 3, 4, and 5	102
MODE Register	103

CCLK_FREQ Register	104
PU_GWE Register	104
PU_GTS Register	104
Boot History Status Register (BOOTSTS)	104
SEU_OPT Register	105
Bitstream Composition	105
Default Initial Configuration Process	106
Spartan-6 FPGA Unique Device Identifier (Device DNA)	106
Identifier Value	107
Operation	107
Identifier Memory Specifications	108
Extending Identifier Length	108
JTAG Access to Device Identifier	109
iMPACT Access to Device Identifier	109
Bitstream Compression	109

Chapter 6: Readback and Configuration Verification

Preparing a Design for Readback	111
Readback Command Sequences	112
Accessing Configuration Registers through the SelectMAP Interface	112
Configuration Register Read Procedure (SelectMAP)	112
Configuration Memory Read Procedure (SelectMAP)	114
Accessing Configuration Registers through the JTAG Interface	116
Configuration Register Read Procedure (JTAG)	117
Configuration Memory Read Procedure (IEEE Std 1149.1 JTAG)	118
Verifying Readback Data	123

Chapter 7: Reconfiguration and MultiBoot

MultiBoot Overview	127
Fallback MultiBoot	128
Fallback Behavior	128
IPLD Reconfiguration	130
Reboot Using ICAP_SPARTAN6	130
Status Register for Fallback and IPLD Reconfiguration	131
Watchdog Timer	131
Required Data Spacing between MultiBoot Images	132
Flash Sector, Block, or Page Boundaries	132
Additional Memory Space Required for LCK_Cycle	132

Chapter 8: Readback CRC

CRC Masking	134
CLB with LUT Configured as Distributed RAM or Shift Register	134
CLBs Near Top or Bottom IOI Using DRP	136
CLBs Near Top or Bottom IOI DRP with LUTs Configured as Distributed RAM	137
Post_CRC Constraints	138
POST_CRC	138
POST_CRC_INIT_FLAG	138
POST_CRC_SOURCE	138

POST_CRC_ACTION	139
POST_CRC_FREQ	139
Syntax Examples	139
POST_CRC	139
POST_CRC_INIT_FLAG	139
POST_CRC_SOURCE	139
POST_CRC_ACTION	140
POST_CRC_FREQ	140

Chapter 9: Advanced Configuration Interfaces

Serial Daisy-Chains	141
Mixed Serial Daisy-Chains	142
Guidelines and Design Considerations for Serial Daisy-Chains	143
Startup Sequencing (GTS)	143
Active DONE Driver	143
Connect All DONE Pins	143
DONE Pin Rise Time	143
Bitstream Formatting	143
Ganged Serial Configuration	143
Multiple Device SelectMAP Configuration	145
Parallel Daisy-Chain	147
Ganged SelectMAP	148
SelectMAP ABORT	149
Configuration Abort Sequence Description	149
Readback Abort Sequence Description	150
ABORT Status Word	150
Resuming Configuration or Readback After an Abort	151
SelectMAP Reconfiguration	151

Chapter 10: Advanced JTAG Configurations

Introduction	153
JTAG Configuration/Readback	154
TAP Controller and Architecture	154
Boundary-Scan Architecture	156
Boundary-Scan Register	157
Instruction Register	158
BYPASS Register	160
Identification (IDCODE) Register	160
JTAG Configuration Register	160
USERCODE Register	160
USER1, USER2, USER3, and USER4 Registers	160
Using Boundary-Scan in Spartan-6 Devices	161
Configuring through Boundary-Scan	161
Clocking Startup and Shutdown Sequences (JTAG)	164

About This Guide

This document describes Spartan®-6 FPGA configuration. Complete and up-to-date documentation of the Spartan-6 family of FPGAs is available on the Xilinx website at <http://www.xilinx.com/support/documentation/spartan-6.htm>.

Guide Contents

This manual contains the following chapters:

- [Chapter 1, Configuration Overview](#)
- [Chapter 2, Configuration Interface Basics](#)
- [Chapter 3, Boundary-Scan and JTAG Configuration](#)
- [Chapter 4, User Primitives](#)
- [Chapter 5, Configuration Details](#)
- [Chapter 6, Readback and Configuration Verification](#)
- [Chapter 7, Reconfiguration and MultiBoot](#)
- [Chapter 8, Readback CRC](#)
- [Chapter 9, Advanced Configuration Interfaces](#)
- [Chapter 10, Advanced JTAG Configurations](#)

Additional Documentation

The following documents are also available for download at: <http://www.xilinx.com/support/documentation/spartan-6.htm>.

- [Spartan-6 Family Overview](#)
This overview outlines the features and product selection of the Spartan-6 family.
- [Spartan-6 FPGA Data Sheet: DC and Switching Characteristics](#)
This data sheet contains the DC and Switching Characteristic specifications for the Spartan-6 family.
- [Spartan-6 FPGA Packaging and Pinout Specifications](#)
This specification includes the tables for device/package combinations and maximum I/Os, pin definitions, pinout tables, pinout diagrams, mechanical drawings, and thermal specifications.
- [Spartan-6 FPGA SelectIO Resources User Guide](#)
This guide describes the SelectIO™ resources available in all Spartan-6 devices.

- **Spartan-6 FPGA Clocking Resources User Guide**
This guide describes the clocking resources available in all Spartan-6 devices, including the DCMs and the PLLs.
- **Spartan-6 FPGA Block RAM Resources User Guide**
This guide describes the Spartan-6 device block RAM capabilities.
- **Spartan-6 FPGA Configurable Logic Blocks User Guide**
This guide describes the capabilities of the configurable logic blocks (CLBs) available in all Spartan-6 devices.
- **Spartan-6 FPGA Memory Controller User Guide**
This guide describes the Spartan-6 FPGA memory controller block, a dedicated, embedded multi-port memory controller that greatly simplifies interfacing Spartan-6 FPGAs to the most popular memory standards.
- **Spartan-6 FPGA GTP Transceivers User Guide**
This guide describes the GTP transceivers available in Spartan-6 LXT FPGAs.
- **Spartan-6 FPGA DSP48A1 Slice User Guide**
This guide describes the architecture of the DSP48A1 slice in Spartan-6 FPGAs and provides configuration examples.
- **Spartan-6 FPGA PCB and Pin Planning Design Guide**
This guide provides information on PCB design for Spartan-6 devices, with a focus on strategies for making design decisions at the PCB and interface level.
- **Spartan-6 FPGA Power Management User Guide**
This guide provides information on the various hardware methods of power management in Spartan-6 devices, primarily focusing on the suspend mode.

Additional Resources

To find additional documentation, see the Xilinx website at:

<http://www.xilinx.com/support/documentation/index.htm>.

To search the Answer Database of silicon, software, and IP questions and answers, or to create a technical support WebCase, see the Xilinx website at:

<http://www.xilinx.com/support>.

Configuration Overview

Overview

Spartan®-6 FPGAs are configured by loading application-specific configuration data—a bitstream—into internal memory. Spartan-6 FPGAs can load themselves from an external nonvolatile memory device or they can be configured by an external smart source, such as a microprocessor, DSP processor, microcontroller, PC, or board tester. In any case, there are two general configuration datapaths. The first is the serial datapath that is used to minimize the device pin requirements. The second datapath is the 8- or 16-bit datapath used for higher performance or access (or link) to industry-standard interfaces, ideal for external data sources like processors, or x8- or x16-parallel flash memory.

Like processors and processor peripherals, Xilinx® FPGAs can be reprogrammed, in system, on demand, an unlimited number of times.

Because Xilinx FPGA configuration data is stored in CMOS configuration latches (CCLs), it must be reconfigured after it is powered down. The bitstream is loaded each time into the device through special configuration pins. These configuration pins serve as the interface for a number of different configuration modes:

- JTAG configuration mode
- Master Serial/SPI configuration mode (x1, x2, and x4)
- Slave Serial configuration mode
- Master SelectMAP/BPI configuration mode (x8 and x16)
- Slave SelectMAP configuration mode (x8 and x16)

The configuration modes are explained in detail in [Chapter 2, Configuration Interface Basics](#).

The specific configuration mode is selected by setting the appropriate level on the mode input pins M[1:0]. The M1 and M0 mode pins should be set at a constant DC voltage level, either through pull-up or pull-down resistors (2.4 kΩ), or tied directly to ground or VCCO_2. The mode pins should not be toggled during or before configuration but can be toggled after. See [Chapter 2, Configuration Interface Basics](#), for the mode pin setting options.

The terms Master and Slave refer to the direction of the configuration clock (CCLK):

- In Master configuration modes, the Spartan-6 device drives CCLK from an internal oscillator by default or optional external master clock source GCLK0/USERCCLK. To select the desired frequency, the BitGen **-g ConfigRate** option is used for the internal oscillator. The default is 2 MHz. The CCLK output frequency varies with process, voltage, and temperature. The data sheet $F_{MCCKTOL}$ specification defines the frequency tolerance. A frequency tolerance of $\pm 50\%$ means that a ConfigRate setting of 10 could generate a CCLK rate of between 5 MHz and 15 MHz. The BitGen section

of [UG628](#), *Command Line Tools User Guide* provides more information. After configuration, the oscillator is turned OFF unless one of these conditions is met:

- SEU detection is used.
- CFGMCLK in STARTUP primitive is connected.
- The internal clock source is selected in SUSPEND mode (the oscillator is on only during the WAKEUP sequence).
- Encryption is enabled.

CCLK is a dual-purpose pin. Before configuration, there is no on-chip pull-up. After configuration, it is a user pin unless PERSIST is used.

- In Slave configuration modes, CCLK is an input.

The JTAG/boundary-scan configuration interface is always available, regardless of the mode pin settings.

Design Considerations

To make an efficient system, it is important to consider which FPGA configuration mode best matches the system's requirements. Each configuration mode dedicates certain FPGA pins and can temporarily use other pins during configuration only. These non-dedicated pins are then released for general use when configuration is completed. See [Chapter 5, Configuration Details](#).

Similarly, the configuration mode can place voltage restrictions on some FPGA I/O banks. Several different configuration options are available, and while the options are flexible, there is often an optimal solution for each system. Several topics must be considered when choosing the best configuration option: overall setup, speed, cost, and complexity.

FPGA Configuration Data Source

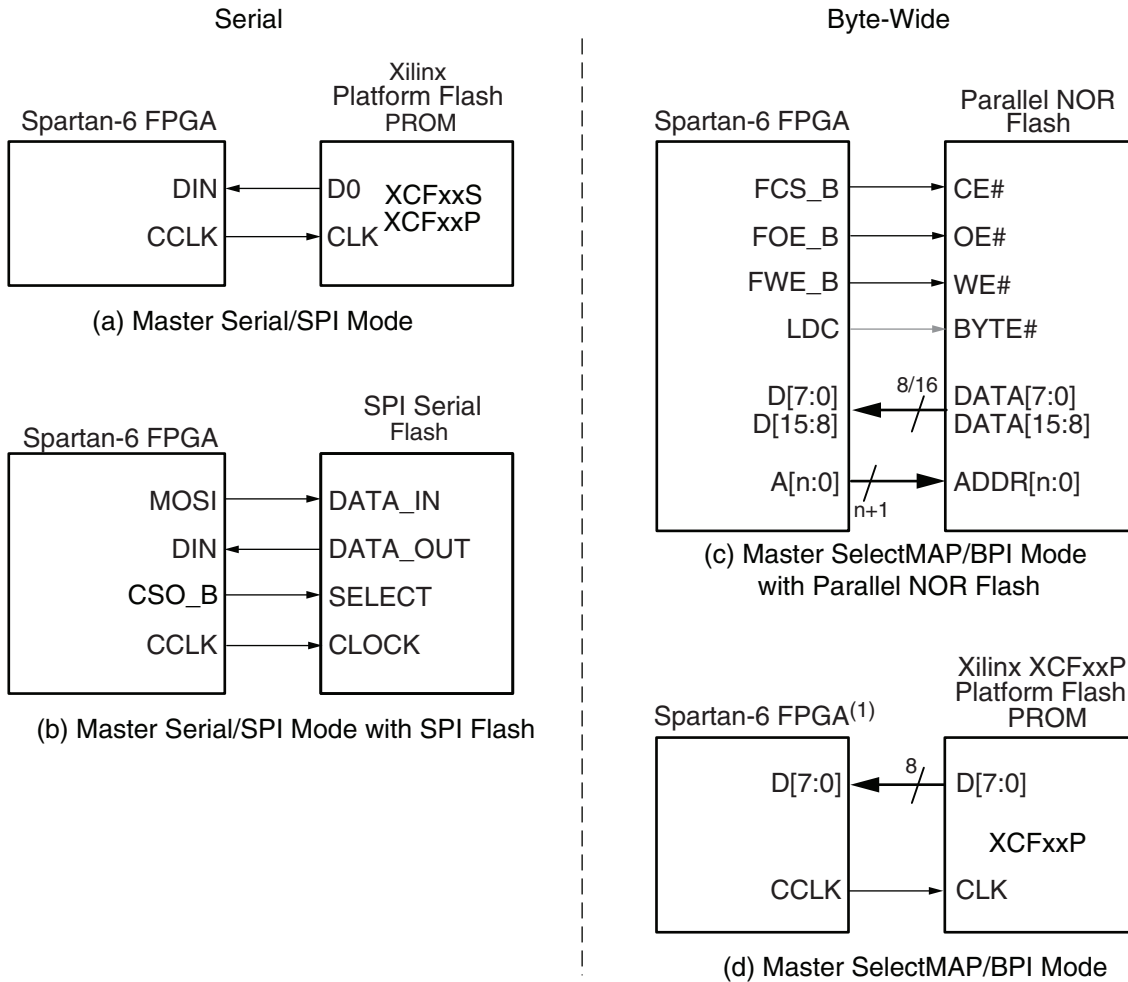
Spartan-6 FPGAs are designed for maximum flexibility. The FPGA either automatically loads itself with configuration data from a PROM, or another external intelligent device like a processor or microcontroller can download the configuration data to the FPGA.

Master Modes

The self-loading FPGA configuration modes, generically called *Master* modes, as shown in [Figure 1-1](#). The Master modes leverage various types of nonvolatile memories to store the FPGA configuration information. In Master mode, the FPGA configuration bitstream typically resides in nonvolatile memory on the same board, generally external to the FPGA. The FPGA provides a configuration clock signal called CCLK (the source is from either an internal oscillator or an optional external master clock source GCLK0/USERCCLK), and the FPGA controls the configuration process.

The configuration clock frequency is user controllable in Master modes, using the BitGen **-g ConfigRate** option. The default is 2 MHz.

Regardless of what option the user selects, the configuration clock in Master mode initially starts at 1 MHz. As the FPGA clocks in the bitstream, it reads in the configuration rate setting and then changes accordingly.



Note: The remaining Spartan-6 FPGAs support XCFxxP Platform Flash PROMs via Master SelectMAP mode. The master serial and the master SPI configuration modes are combined and use the same mode selection. The master SelectMAP and the master BPI configuration modes are combined and use the same mode selection. UG380_c1_01_060109

Figure 1-1: Master Configuration Modes

Slave Modes

The externally controlled loading FPGA configuration modes, generically called *Slave* modes, are also available with either a serial or byte-wide datapath. In Slave mode, an external “intelligent agent” such as a processor, microcontroller, DSP processor, or tester downloads the configuration image into the FPGA, as shown in Figure 1-2. The advantage of the Slave configuration modes is that the FPGA bitstream can reside almost anywhere in the overall system. The bitstream can reside in flash, onboard, along with the host processor’s code. It can reside on a hard disk. It can originate somewhere over a network connection or another type of bridge connection.

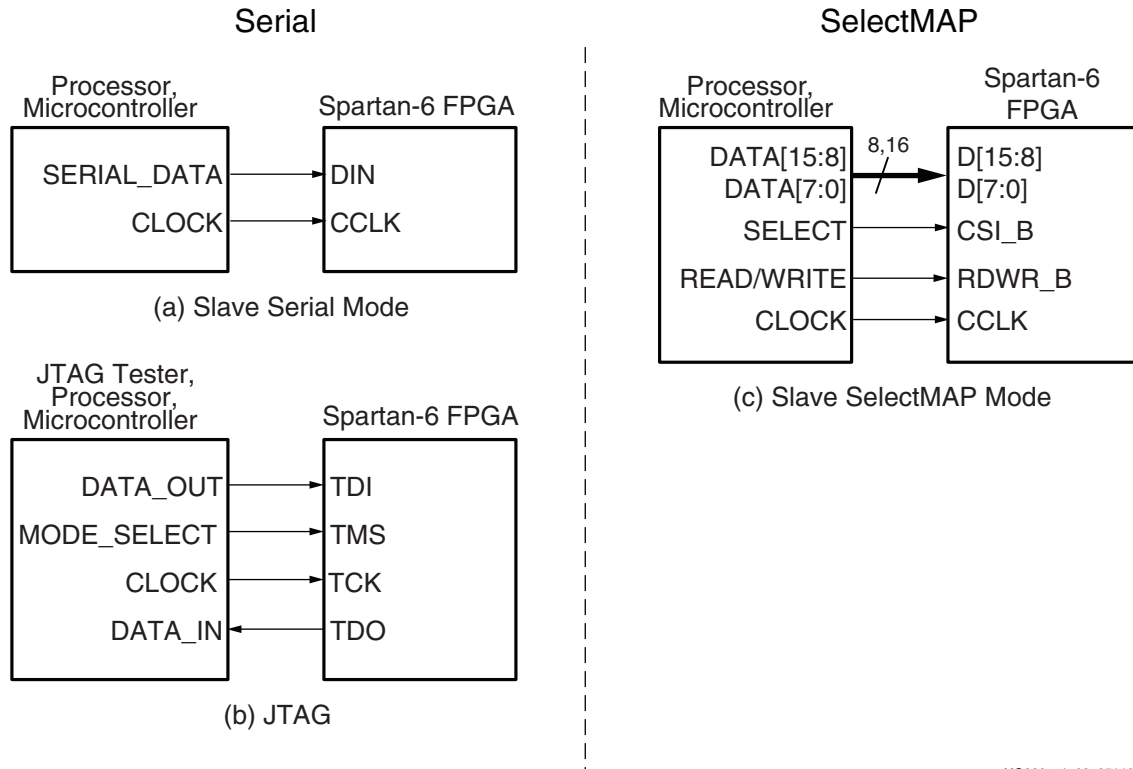


Figure 1-2: Slave Configuration Modes

The Slave SelectMAP mode is a simple x8- or x16-bit-wide processor peripheral interface, including a chip-select input and a read/write control input. The Slave Serial mode is extremely simple, consisting only of a clock and serial data input.

JTAG Connection

The four-wire JTAG interface is common on board testers and debugging hardware. In fact, the Xilinx programming cables for Spartan-6 FPGAs, listed here, use the JTAG interface for prototype download and debugging. Regardless of the configuration mode ultimately used in the application, it is best to also include a JTAG configuration path for easy design development. Also see [Chapter 3, Boundary-Scan and JTAG Configuration](#).

- **Platform Cable USB II**
<http://www.xilinx.com/products/devkits/HW-USB-II-G.htm>
- **Parallel Cable IV**
<http://www.xilinx.com/products/devkits/HW-PC4.htm>

The Basic Configuration Solution

Basic options include either Master Serial mode using a Xilinx Platform Flash PROM or a third-party SPI PROM. These solutions use the fewest FPGA pins, have flexible I/O voltage support, and select SPI PROMs are supported by iMPACT, the Xilinx JTAG-based programming software. See iMPACT Help under Software Help:

http://www.xilinx.com/support/documentation/sw_manuals/xilinx11/isehelp_start.htm.

The Low-Cost Priority Solution

The option with the lowest cost varies depending on the specific application.

- If there is spare nonvolatile memory already available in the system, the bitstream image can be stored in system memory. It can even be stored on a hard drive or downloaded remotely over a network connection. If so, one of the downloaded modes should be considered: Slave SelectMAP Mode, Slave Serial Mode, or JTAG.
- If nonvolatile memory is already required for an application, it is possible to consolidate the memory. For example, the FPGA configuration bitstream(s) can be stored with any processor code for the board. If the processor is a [MicroBlaze™](#) embedded processor in the FPGA, the FPGA configuration data and the MicroBlaze processor code can share the same nonvolatile memory device.
- Spartan-6 FPGAs optionally configure directly from commodity SPI serial flash and parallel NOR flash memories. See [Chapter 2, Configuration Interface Basics](#). Also see [XAPP973](#), *Indirect Programming of BPI PROMs with Virtex-5 FPGAs*, and [XAPP974](#), *Indirect Programming of SPI Serial Flash PROMs with Spartan-3A FPGAs*.

The High-Speed Priority Option

Some applications require the logic to be operational within a short time. Certain FPGA configuration modes and methods are faster than others. The configuration time includes the initialization time plus the configuration time. Configuration time depends on the size of the device and speed of the configuration logic. For example, configuring at 33 MHz with a 4-bit data bus, a Spartan-6 XC6SLX16 FPGA requires ~28 ms to receive its 3.6 Mb of configuration data.

- At the same clock frequency, parallel configuration modes are inherently faster than the serial modes because they program multiple bits at a time.
- Configuring a single FPGA is inherently faster than configuring multiple FPGAs in a daisy-chain. In a multi-FPGA design where configuration speed is a concern, each FPGA should be configured separately and in parallel.
- In Master modes, the FPGA internally generates the CCLK configuration clock signal. By default, the CCLK frequency starts out low but can be increased using the ConfigRate bitstream option. The maximum supported CCLK frequency setting depends on the read specifications for the attached nonvolatile memory. A faster memory enables faster configuration. The FPGA's CCLK output frequency varies with process, voltage, and temperature. The fastest guaranteed configuration rate depends on the slowest guaranteed CCLK frequency, as shown in the Spartan-6 FPGA data sheet. If an external clock is available on the board, it is also possible to configure the FPGA in Slave mode while using Xilinx Platform Flash.
- If an external clock is available on the board, the FPGA supports the ability to connect and use an external clock source during Master mode configuration. It is also possible to use an external clock source to configure the FPGA in a slave mode while using Xilinx Platform Flash. The external clock source during configuration enables predictable configuration times to be achieved in Master modes as well as Slave modes.

Conforming to PCI Link Activation Requirements

The PCI™ Local Bus Specification, Revision 3.0 (“the PCI specification”) defines a number of power and reset requirements. These requirements, when considered in an FPGA implementation, create several challenges that must be addressed for long term reliability

and broad interoperability. It is important to consider the link activation time in the PCI application and ensure the FPGA can complete configuration during the specified time. Many third-party flash vendors do not meet these specific time constraints.

Single and Multiple Configuration Images

In most FPGA applications, the FPGA is loaded only when the system is powered on.

However, some applications reload the FPGA multiple times while the system is operating, with different FPGA bitstreams for different functions. For example, the FPGA can be loaded with one bitstream to implement a power-on self-test, followed by a second bitstream with the final application. In many test equipment applications, the FPGA is loaded with different bitstreams to execute hardware-assisted tests. In this way, one smaller FPGA can implement the equivalent functionality of a larger ASIC or gate array device.

See [Chapter 7, Reconfiguration and MultiBoot](#), for more information.

MultiBoot /Safe Update

In advanced applications, multiple bitstream images can be stored. One of the images can be upgraded by the user application, and real-time system upgrades can occur. The system can also recover from any failure booting from the initial image.

Required I/O Voltages

The chosen FPGA configuration mode places some constraints on the FPGA application, specifically the I/O voltage allowed on the FPGA's configuration banks.

For example, the SPI or BPI modes leverage third-party flash memory components that are usually 3.3V-only devices (but tolerant to lower voltages). This requires that the I/O voltage on the bank or banks attached to the memory must comply with the input voltage.

V_{ccaux} Level

The V_{ccaux} level is programmable as either 2.5V (default) or 3.3V. The user specifies the value in the tools with the CONFIG VCCAUX=2.5 or CONFIG VCCAUX=3.3 constraint.

Nonvolatile Data Storage

Some FPGA applications store data in external nonvolatile memory. Spartan-6 FPGAs provide useful enhancements for these applications.

- Spartan-6 FPGAs can configure directly from external commodity serial (SPI) or parallel Flash PROMs (BPI).
- The Flash PROM address, data, and control pins are only borrowed by the FPGA during configuration. After configuration, the FPGA has full read/write control over these pins.
- The FPGA configuration bitstreams and the application's nonvolatile data can share the same PROM, reducing overall system cost.

FPGA Density Migration

The package footprint and pinouts for Spartan-6 FPGAs are designed to allow migration between different densities within a specific family.

Likewise, an FPGA application can store other nonvolatile data in the flash memory, requiring a larger storage device.

To support design migration between device densities, sufficient configuration memory must be allowed to cover the largest device in the targeted package. For example, if using the Spartan-6 XC6SLX9 device, enough configuration memory to accommodate 2.6 Mb is required. To allow for migration to the Spartan-6 XC6SLX16 device, 3.6 Mb of configuration memory is required.

In downloaded applications, enough space in the memory must be reserved for the largest anticipated, uncompressed FPGA bitstream.

In self-loaded applications, a PROM footprint and the associated FPGA configuration mode should be used to facilitate easy migration. For example, Xilinx Platform Flash provides excellent migration between 1 to 4 Mb using the XCFxxS serial family and between 8 to 32 Mb using the XCFxxP parallel family. If an application spans between the two, two separate footprints should be used, one for each Platform Flash subfamily. The XCFxxP Flash family requires a 1.8V core supply voltage input while the XCFxxS requires 3.3V. Both families provide 3.3V I/O.

The SPI serial flash vendors offer a wider migration range but do require a multi-package footprint. For example, the Atmel DataFlash SPI serial flash family spans the range of 1 to 64 Mb, using a single footprint that accommodates the JEDEC and EIAJ versions of the 8-pin SOIC package along with the 8-connector CASON package. The Numonyx SPI serial flash has uses a different footprint that uses a combined 8-pin and 16-pin SOIC footprint and is also compatible with devices from multiple SPI flash vendors.

Similarly, parallel flash supports a wide density range in a common, multi-vendor package footprint. This overview is provided as an example; flash vendors should be consulted for specific details.

Production Lifetime

An application's production lifetime should be considered. Commodity memories generally have a shorter production lifetime than the proprietary Xilinx Platform Flash PROMs. For example, if an industrial application is built that will be manufactured for five years or more, Xilinx Platform Flash PROMs provide better long-term availability.

Products with shorter production lifetimes can benefit from the multi-vendor pricing and multi-sourcing of commodity memories.

Protecting the FPGA Bitstream against Unauthorized Duplication

Like processor code, the bitstream that defines the FPGA's functionality loads into the FPGA during power-on. Consequently, this means that an unscrupulous company can capture the bitstream and create an unauthorized copy of the design.

Like processors, there are multiple techniques to protect the FPGA bitstream and any intellectual property (IP) cores embedded in the FPGA. One of the most powerful techniques is called *authentication*, which uses unique device "DNA," and is described in more detail in [Chapter 5, Configuration Details](#). In addition, the 6SLX75/T, 6SLX100/T, and 6SLX150/T devices also have on-chip Advanced Encryption Standard (AES) decryption logic to provide a high degree of design security.

Loading Multiple FPGAs with the Same Configuration Bitstream

Generally, there is one configuration bitstream image per FPGA in a system. Multiple, different FPGA bitstream images can share a single configuration PROM by leveraging a configuration daisy-chain. However, if all the FPGAs in the application have the same part number and use the same bitstream, only a single bitstream image is required. An alternative solution, called a ganged configuration, loads multiple, identical FPGAs with the same bitstream.

Configuration Factors

Many factors determine which configuration solution is optimal for a system and many details need to be considered. Proper configuration mitigates problems later in the design cycle.

Designers need to understand the difference between dedicated configuration pins and reusable post configuration pins. Details can be found in the configuration details section.

Other issues that need to be considered are Data File formats and bitstream sizes. The size of the bitstream is directly affected by the device size and there are several formats in which the bitstream can be created.

The FPGA goes through certain sequences during the configuration process, from clearing internal memory to activating the I/Os. This process is called the configuration sequence. Designers should be aware of this sequence and its subsequences to understand the timing from power-on to completed FPGA configuration and start-up.

The Spartan-6 LX75, LX75T, LX100, LX100T, LX150, and LX150T FPGAs also have enhanced security features such as AES encryption. This feature is very useful in protecting bitstream theft.

More details can be found in [Chapter 5, Configuration Details](#).

Configuration Interface Basics

This chapter provides quick access to the most commonly used configuration solutions for Spartan®-6 FPGA devices. It includes several different methods and gives the appropriate connections, terminations, signal definitions, and basic timing descriptions. Additional detail is included in [Chapter 9, Advanced Configuration Interfaces](#), which covers more advanced arrangements as well as more detail on error recovery and further explanation of some of the ideas initially summarized here.

Spartan-6 devices support all the configuration modes supported by the Extended Spartan-3A family. However, the difference is Spartan-6 devices only expose two mode pins M[1:0], which define the configuration modes, instead of three mode pins M[2:0] used by the Extended Spartan-3A family. The mode pins are described in [Table 2-1](#). Detailed interface timing information is located in [DS162, Spartan-6 FPGA Data Sheet: DC and Switching Characteristics](#).

Table 2-1: Spartan-6 FPGA Configuration Modes

Configuration Mode	M[1:0]	Bus Width	CCLK Direction
Master Serial/SPI	01	1, 2, 4 ⁽¹⁾	Output
Master SelectMAP/BPI ⁽²⁾	00	8, 16	Output
JTAG ⁽³⁾	xx	1	Input (TCK)
Slave SelectMAP ⁽²⁾	10	8, 16	Input
Slave Serial ⁽⁴⁾	11	1	Input

Notes:

- Utilizing dual and quad SPI modes.
- Parallel configuration mode bus is auto-detected by the configuration logic.
- Spartan-6 devices also have a dedicated four-wire JTAG (IEEE Std 1149.1) port that is always available to the FPGA regardless of the mode pin settings.
- Default setting due to internal pull-up termination on Mode pins.

JTAG Interface

While there is no specific mode for JTAG, the JTAG interface is available as a configuration interface any time the device is powered. For more information, refer to [Chapter 3, Boundary-Scan and JTAG Configuration](#).

Serial Configuration Interface

In serial configuration modes, the FPGA is configured by loading one configuration bit per CCLK cycle:

- In Master Serial mode, CCLK is an output.
- In Slave Serial mode, CCLK is an input.

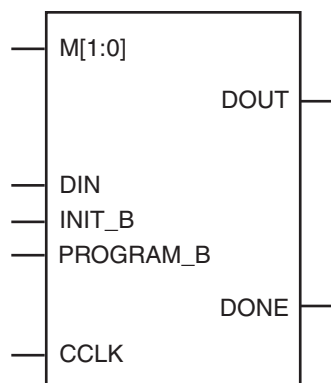
A simulation model for serial configuration is available. For more information, consult [UG626, Synthesis and Simulation Guide](#).

[Figure 2-1](#) shows the basic Spartan-6 FPGA serial configuration interface.

There are four methods of configuring an FPGA in serial mode:

- Master Serial configuration:
 - Typical setup includes a PROM such as the Platform Flash XCFxxS.
- Slave Serial configuration
 - Typical setup includes a processor providing data and clock.
- Serial daisy-chain configuration
 - Multiple FPGAs are configured in series with different images from a PROM or processor (see [Chapter 9, Advanced Configuration Interfaces](#)).
- Ganged Serial configuration
 - Multiple FPGAs are configured in parallel with the same image from a PROM or processor (see [Chapter 9, Advanced Configuration Interfaces](#)).

Master and Slave Serial configuration are described in this chapter, daisy-chain and ganged configuration methods are discussed in [Chapter 9, Advanced Configuration Interfaces](#).



UG380_c2_01_042909

Figure 2-1: Spartan-6 FPGA Serial Configuration Interface

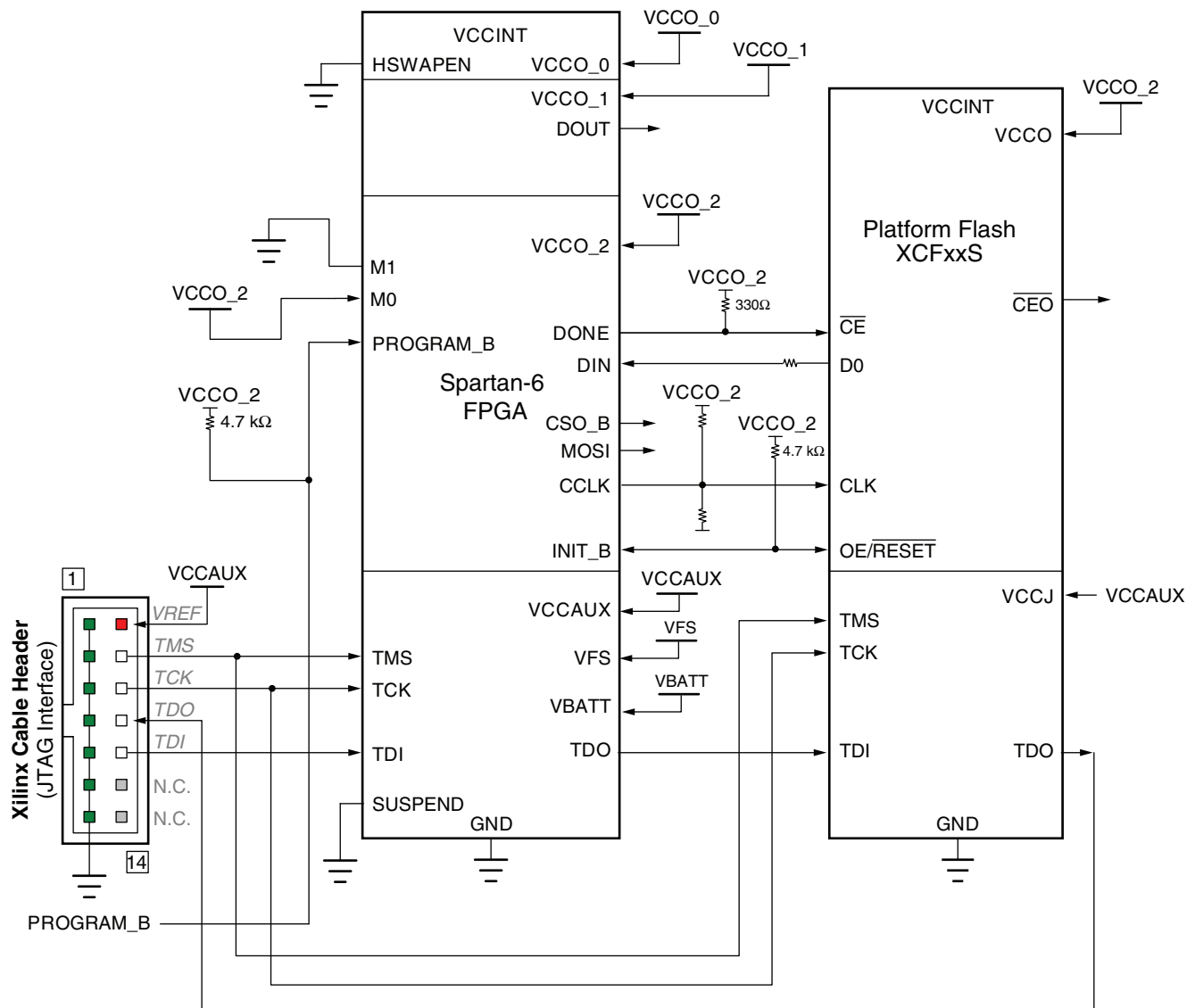
Table 2-2 describes the serial configuration interface.

Table 2-2: Spartan-6 FPGA Serial Configuration Interface Pins

Pin Name	Type	Dedicated or Dual-Purpose	Description
M[1:0]	Input	Dual-Purpose	Mode Pins – determine configuration mode (see Table 2-1).
CCLK	Input or Output	Dual-Purpose	Configuration clock source for all configuration modes except JTAG (see Design Considerations , page 60).
DIN	Input	Dual-Purpose	Serial configuration data input, synchronous to rising CCLK edge.
DOUT	Output	Dual-Purpose	Serial data output for downstream daisy-chained devices. Data provided on the falling edge of CCLK.
DONE	Bidirectional, Open-Drain, or Active	Dedicated	Active-High signal indicating configuration is complete: 0 = FPGA not configured 1 = FPGA configured Refer to the BitGen section of UG628, Command Line Tools User Guide for software settings.
INIT_B	Input or Output, Open-Drain	Dual-Purpose	Before the Mode pins are sampled, INIT_B is an input that can be held Low to delay configuration. After the Mode pins are sampled, INIT_B is an open-drain active-Low output indicating whether a CRC error occurred during configuration: 0 = CRC error 1 = No CRC error When the SEU detection function is enabled, INIT_B is reserved and cannot be used as user I/O.
PROGRAM_B	Input	Dedicated	Active-Low asynchronous full-chip reset.

Master Serial

The Master Serial configuration is designed so that the FPGA can be configured from a Xilinx® Platform Flash PROM, as shown in Figure 2-2.



Refer to the Notes following this figure for related information.

UG380_c2_02_011513

Figure 2-2: Master Serial Mode Configuration

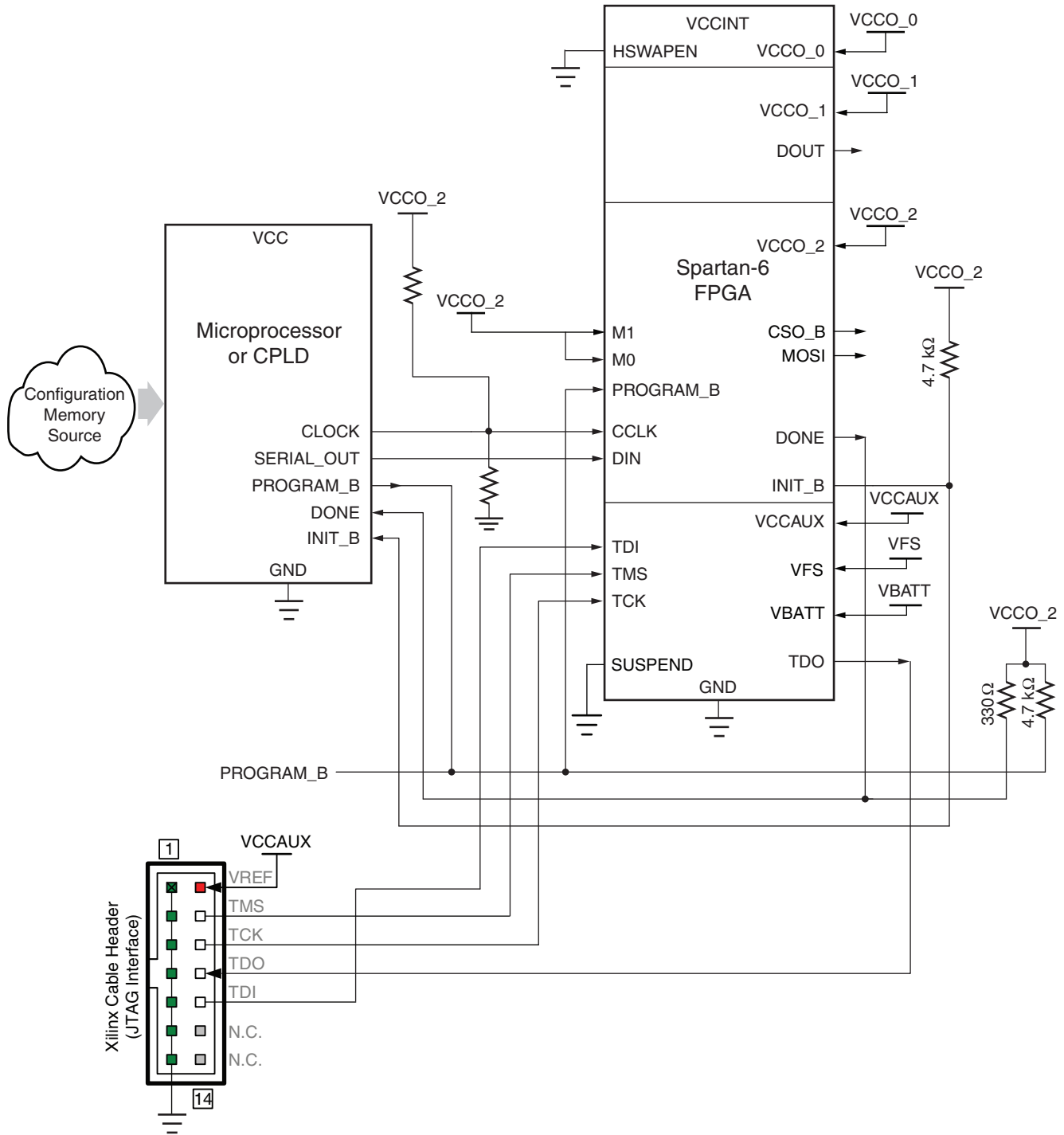
Notes relevant to Figure 2-2:

1. See Table 5-2, page 70 for internal pin terminations and pins affected by HSWAPEN.
2. DOUT should be connected to the DIN of the downstream FPGA for daisy-chained configuration modes.
3. The CCLK net requires Thevenin parallel termination. For details, refer to Board Layout for Configuration Clock (CCLK), page 54.
4. Master Serial and Master SPI are both enabled from the same mode pins. Therefore, the SPI control pins, CSO_B and MOSI, toggle during configuration.

5. The Spartan-6 FPGA VCCO_2 supply input and the Platform Flash PROM V_{CCO} supply input must be the same voltage.
6. The DONE pin is by default an open-drain output with an internal pull-up. An additional external pull-up is recommended. The DONE pin has a programmable active driver that can be enabled via the BitGen option **-g DriveDone**.
7. The INIT_B pin is a bidirectional, open-drain pin. An external pull-up resistor is recommended.
8. The BitGen startup clock setting must be set for CCLK for serial configuration, which is done by default in the software. See [UG628, Command Line Tools User Guide](#) for details.
9. The PROM in this diagram represents one or more Xilinx PROMs. Multiple Xilinx PROMs can be cascaded to increase the overall configuration storage capacity, further described in [UG161, Platform Flash PROM User Guide](#).
10. The BIT file must be reformatted into a PROM file before it can be stored on the Xilinx PROM. Refer to the [Generating PROM Files, page 75](#), which outlines how to use iMPACT software to generate the required files.
11. On some Xilinx PROMs, the reset polarity is programmable. $\overline{\text{RESET}}$ should be configured as active Low when using this setup.
12. Master Serial mode configuration is specific to the Platform Flash XCFS and XCFP PROM only.
13. Unused configuration pins such as CSI_B and RDWR_B can be left floating or tied to GND because they are not connected to any configuration logic in this mode. CSI_B and RDWR_B are dual-purpose pins.
14. V_{FS} is present in 6SLX75/T, 6SLX100/T, and 6SLX150/T devices, and is used for eFUSE programming. See [eFUSE, page 88](#) for more details.
15. V_{BATT} is present in 6SLX75/T, 6SLX100/T, and 6SLX150/T devices, and is the power source for AES key storage. If AES encryption is unused, V_{BATT} can be tied to either V_{CCAUX} or ground, or can be left unconnected.
16. If VCCO_2 is 1.8V, V_{CCAUX} must be 2.5V. If VCCO_2 is 2.5V or 3.3V, V_{CCAUX} can be either 2.5V or 3.3V.
17. The SUSPEND pin should be Low during power up and configuration. If the Suspend feature is not used, the SUSPEND pin must be connected to ground.

Slave Serial Configuration

Slave Serial configuration is typically used for devices in a serial daisy-chain or when configuring a single device from an external microprocessor or CPLD (see [Figure 2-3](#)). Design considerations are similar to Master Serial configuration except for the direction of CCLK. CCLK must be driven from an external clock source, which also provides data (see [Serial Configuration Data Timing, page 29](#)).



Refer to the Notes following this figure for related information.

UG380_c2_03_071910

Figure 2-3: Slave Serial Mode Configuration

Notes relevant to [Figure 2-3](#):

1. See [Table 5-2, page 70](#) for internal pin terminations and pins affected by HSWAPEN.
2. DOUT should be connected to the DIN of the downstream FPGA for daisy-chained configuration modes.

3. The CCLK net requires Thevenin parallel termination. For more details, see [Board Layout for Configuration Clock \(CCLK\)](#), page 54.
4. The DONE pin is by default an open-drain output with an internal pull-up. An additional external pull-up is recommended. The DONE pin has a programmable active driver that can be enabled via the BitGen option **-g DriveDone**.
5. The INIT_B pin is a bidirectional, open-drain pin. An external pull-up resistor is recommended.
6. The SPI control pins, CSO_B and MOSI, toggle during serial configuration.
7. V_{FS} is present in 6SLX75/T, 6SLX100/T, and 6SLX150/T devices, and is used for eFUSE programming. See [eFUSE](#), page 88 for more details.
8. V_{BATT} is present in 6SLX75/T, 6SLX100/T, and 6SLX150/T devices, and is the power source for AES key storage. If AES encryption is unused, V_{BATT} can be tied to either V_{CCAUX} or ground, or left unconnected.
9. If V_{CCO_2} is 1.8V, V_{CCAUX} must be 2.5V. If V_{CCO_2} is 2.5V or 3.3V, V_{CCAUX} can be either 2.5V or 3.3V.
10. The SUSPEND pin should be Low during power up and configuration. If the Suspend feature is not used, the SUSPEND pin must be connected to ground.

Serial Configuration Data Timing

Figure 2-4 shows how configuration data is clocked into Spartan-6 devices in Slave Serial and Master Serial modes.

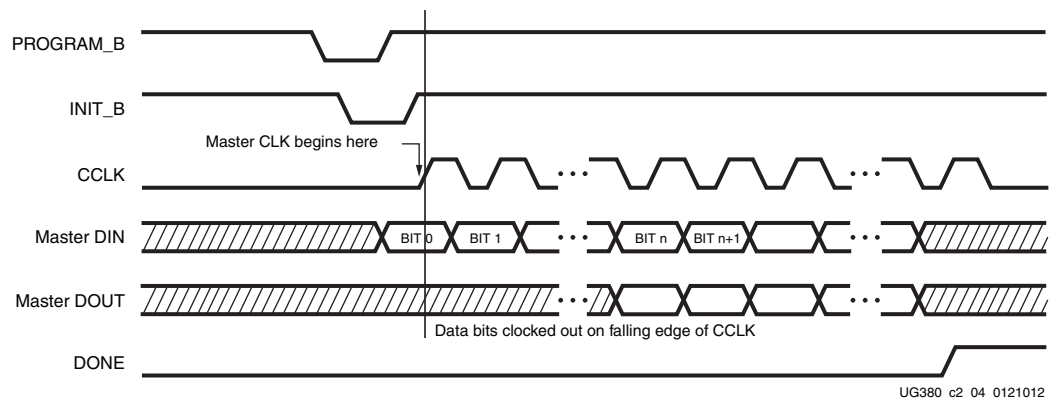


Figure 2-4: Serial Configuration Cloning Sequence

Notes relevant to [Figure 2-4](#):

1. Bit 0 represents the MSB of the first byte. For example, if the first byte is 0xAA (1010_1010), bit 0 = 1, bit 1 = 0, bit 2 = 1, etc.
2. For Master configuration mode, CCLK does not transition until after the Mode pins are sampled, as indicated by the arrow.
3. CCLK can be free-running in Slave Serial mode.

SelectMAP Configuration Interface

The SelectMAP configuration interface ([Figure 2-5](#)) provides an 8-bit or 16-bit bidirectional data bus interface to the Spartan-6 device configuration logic that can be used for both configuration and readback. (For details, refer to [Chapter 6, Readback and Configuration Verification](#).) The bus width of SelectMAP is automatically detected (see [Sync Word/Bus Width Auto Detection, page 74](#)). A simulation model for SelectMAP configuration is available. For more information, consult [UG626, Synthesis and Simulation Guide](#).

CCLK is an output in Master SelectMAP mode, sourced by the internal oscillator or by the GCLK0/USERCCLK pin. In Slave SelectMAP mode, CCLK is an input. One or more Spartan-6 devices can be configured through the SelectMAP bus, in series or parallel.

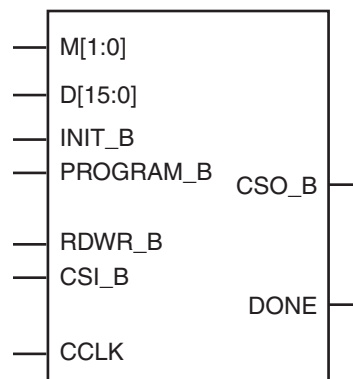
There are multiple methods of configuring an FPGA in SelectMAP mode:

- Single-device Master SelectMAP
- Single-device Slave SelectMAP
 - Typical setup includes a processor, providing data and clock.
- Multiple-device daisy-chain SelectMAP bus
 - Multiple FPGAs are configured in series with different images from a PROM or processor (see [Chapter 9, Advanced Configuration Interfaces](#)).
- Multiple-device ganged SelectMAP
 - Multiple FPGAs are configured in parallel with the same image from a PROM or processor (see [Chapter 9, Advanced Configuration Interfaces](#)).

Some SelectMAP considerations are:

- RDWR_B is a dual-function pin that can be a V_{REF} pin in bank 2, but it cannot be utilized as V_{REF} when the SelectMAP configuration mode is used.

Master SelectMAP and Slave SelectMAP are described in this chapter; daisy-chain and ganged configuration methods are described in [Chapter 9, Advanced Configuration Interfaces](#).



UG380_c2_05_042909

Figure 2-5: Spartan-6 FPGA SelectMAP Configuration Interface

Table 2-3 describes the SelectMAP configuration interface.

Table 2-3: Spartan-6 FPGA SelectMAP Configuration Interface Pins

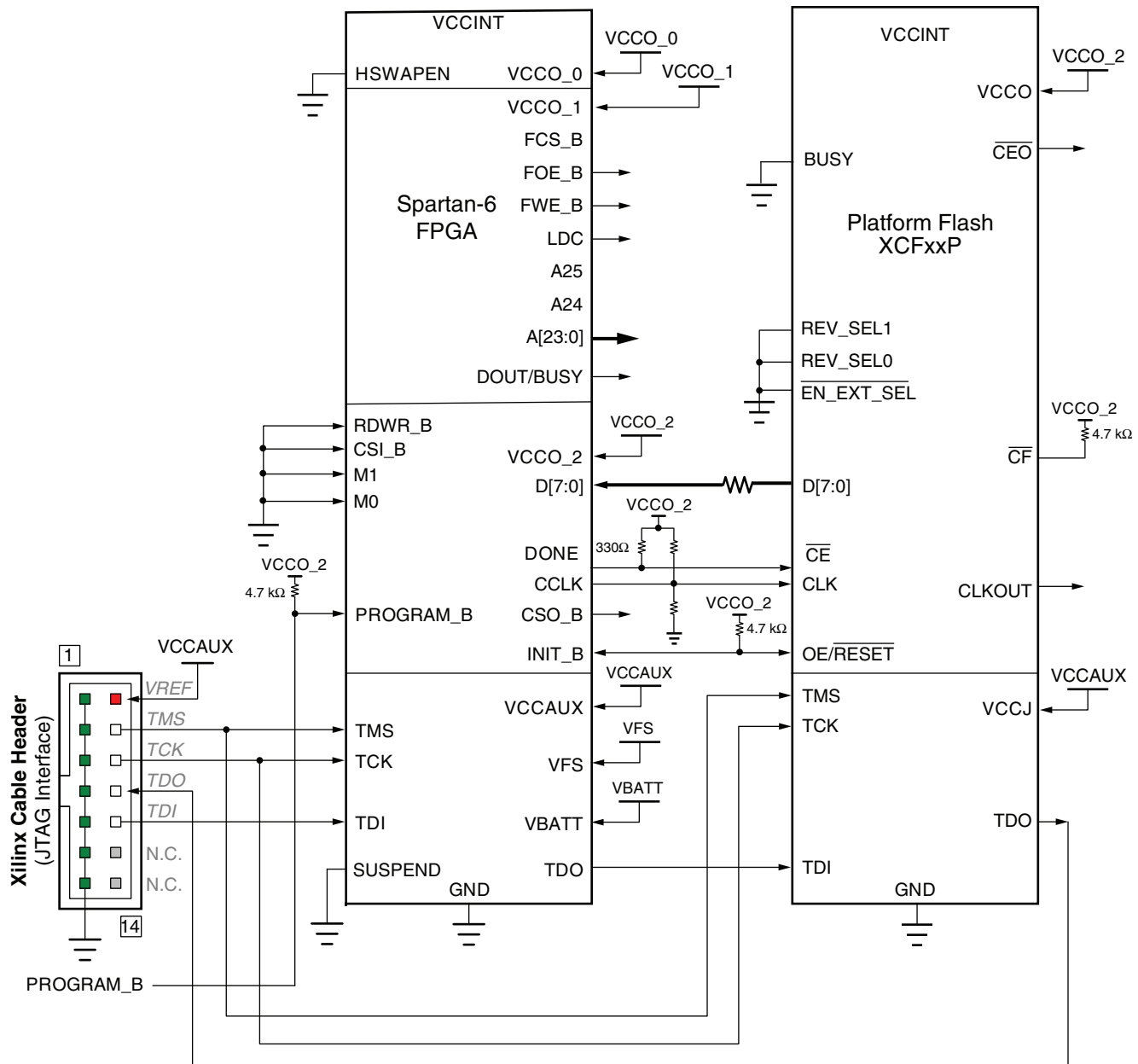
Pin Name	Type	Dedicated or Dual-Purpose	Description
M[1:0]	Input	Dual-Purpose	Mode pins - determine configuration mode. See Table 2-1, page 23 .
CCLK	Input and Output	Dual-Purpose	Configuration clock source for all configuration modes except JTAG. See Board Layout for Configuration Clock (CCLK), page 54 .
D[15:0]	3-State Bidirectional	Dual-Purpose	Configuration and readback data bus, clocked on the rising edge of CCLK. See Parallel Bus Bit Order, page 76 .
DONE	Bidirectional, Open-Drain or Active	Dedicated	Active-High signal indicating configuration is complete: 0 = FPGA not configured 1 = FPGA configured
INIT_B	Input or Output, Open-Drain	Dual-Purpose	Before the Mode pins are sampled, INIT_B is an input that can be held Low to delay configuration. After the Mode pins are sampled, INIT_B is an open-drain, active-Low output indicating whether a CRC error occurred during configuration: 0 = CRC error 1 = No CRC error When the SEU detection function is enabled, INIT_B is reserved and cannot be used as user I/O.
PROGRAM_B	Input	Dedicated	Active-Low asynchronous full-chip reset.
CSL_B	Input	Dual-Purpose	Active-Low chip select to enable the SelectMAP data bus (see SelectMAP Data Loading, page 35): 0 = SelectMAP data bus enabled 1 = SelectMAP data bus disabled
RDWR_B	Input	Dual-Purpose	Determines the direction of the D[x:0] data bus (see SelectMAP Data Loading, page 35): 0 = inputs 1 = outputs RDWR_B input can only be changed while CSL_B is deasserted, otherwise an ABORT occurs (see SelectMAP ABORT, page 149). RDWR_B can be used as a V _{REF} pin, but doing so prevents use of the SelectMAP configuration mode.
CSO_B	Output	Dual-Purpose	Parallel daisy-chain active-Low chip select output. Not used in single FPGA applications.
BUSY	Output	Dual-Purpose	This output pin is used during readback. This pin can toggle during configuration.

Single Device SelectMAP Configuration

This section describes how to configure a single device in SelectMAP mode, where the FPGA connects either to a Platform Flash PROM or to a microprocessor or CPLD.

Platform Flash PROM SelectMAP Configuration

The simplest way to configure a single device in SelectMAP mode is to connect it directly to a configuration PROM, as shown in Figure 2-6. In this arrangement, the device is set for Master SelectMAP mode, and the RDWR_B and CSI_B pins are tied to ground for continuous data loading (see [SelectMAP Data Loading, page 35](#)).



Refer to the Notes following this figure for related information.

UG380_c2_06_011513

Figure 2-6: Single-Device Master SelectMAP Configuration

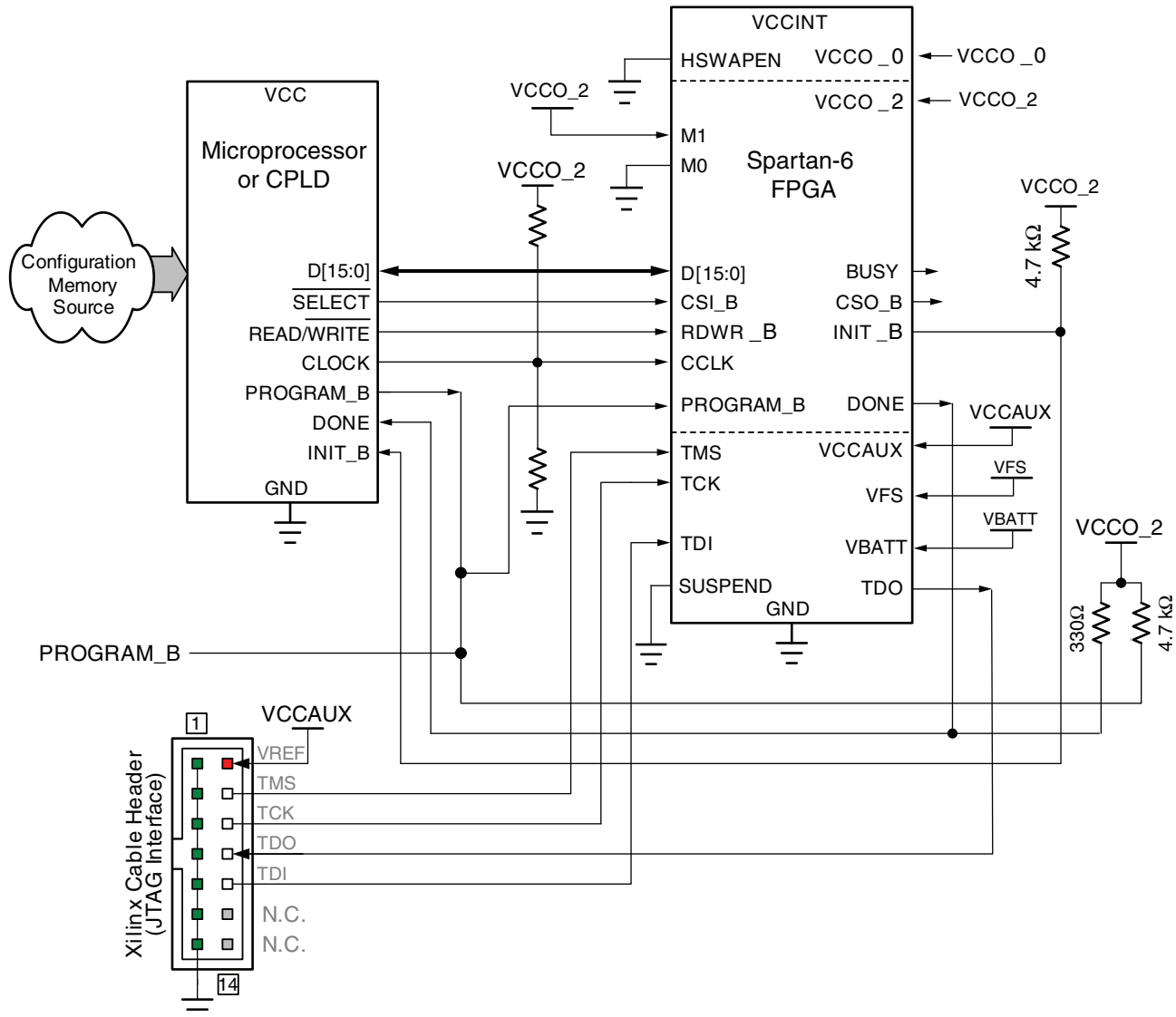
Notes relevant to [Figure 2-6](#):

1. See [Table 5-2, page 70](#) for internal pin terminations and pins affected by HSWAPEN.

2. The CCLK net requires Thevenin parallel termination. For more details, see [Board Layout for Configuration Clock \(CCLK\)](#), page 54.
3. The DONE pin is by default an open-drain output with an internal pull-up. An additional external pull-up is recommended. The DONE pin has a programmable active driver that can be enabled via the BitGen option **-g DriveDone**.
4. A series resistor should be considered for the datapath from the flash to the FPGA to minimize overshoot. The proper resistor value can be determined from simulation.
5. The INIT_B pin is a bidirectional, open-drain pin. An external pull-up resistor is recommended.
6. The BitGen startup clock setting must be set for CCLK for SelectMAP configuration.
7. The PROM in this diagram represents one or more Xilinx PROMs. Multiple PROMs can be cascaded to increase the overall configuration storage capacity.
8. The BIT file must be reformatted into a PROM file before it can be stored on the PROM. Refer to the [Generating PROM Files](#), page 75.
9. On some Xilinx PROMs, the reset polarity is programmable. $\overline{\text{RESET}}$ should be configured as active Low when using this setup.
10. The Xilinx PROM must be set for parallel mode. This mode is not available for all devices.
11. When configuring a Spartan-6 device in SelectMAP mode from a Xilinx configuration PROM, the RDWR_B and CSI_B signals can be tied Low (see [SelectMAP Data Loading](#), page 35).
12. The D bus can be x8 or x16 for Master SelectMAP configuration. The maximum data width for XCFxxP is x8.
13. Platform Flash PROM SelectMAP configuration is specific to the Platform Flash XCFP PROM only. The Platform Flash XCFS PROM only supports serial configuration modes.
14. The address bus A[25:0] along with the BUSY, FOE_B, FCS_B, and FWE_B pins toggle during configuration. The system should be able to handle activity on these dual-purpose pins during the configuration process.
15. The Spartan-6 FPGA VCCO_2 supply input and the Platform Flash PROM V_{CCO} supply input must be the same voltage.
16. V_{FS} is present in 6SLX75/T, 6SLX100/T, and 6SLX150/T devices, and is used for eFUSE programming. See [eFUSE](#), page 88 for more details.
17. V_{BATT} is present in 6SLX75/T, 6SLX100/T, and 6SLX150/T devices, and is the power source for AES key storage. If AES encryption is unused, V_{BATT} can be tied to either V_{CCAUX} or ground, or left unconnected.
18. If VCCO_2 is 1.8V, V_{CCAUX} must be 2.5V. If VCCO_2 is 2.5V or 3.3V, V_{CCAUX} can be either 2.5V or 3.3V.
19. The SUSPEND pin should be Low during power up and configuration. If the Suspend feature is not used, the SUSPEND pin must be connected to ground.

Microprocessor-Driven SelectMAP Configuration

For custom applications where a microprocessor or CPLD is used to configure a single Spartan-6 device, either Master SelectMAP mode (use CCLK from the FPGA) or Slave SelectMAP mode can be used (Figure 2-7). Slave SelectMAP mode is preferred. See [XAPP502](#), *Using a Microprocessor to Configure Xilinx FPGAs via Slave Serial or SelectMAP Mode*, for information on configuration from a microprocessor).



Refer to the Notes following this figure for related information.

UG380_c2_07_062910

Figure 2-7: Single-Device Slave SelectMAP Configuration from Microprocessor and CPLD

Notes relevant to [Figure 2-7](#):

1. See [Table 5-2](#), [page 70](#) for internal pin terminations and pins affected by HSWAPEN.
2. DOUT/BUSY is an output that can drive during configuration and readback operations.

3. For more details on CCLK termination, see [Board Layout for Configuration Clock \(CCLK\)](#), page 54.
4. This schematic is from [XAPP502](#), *Using a Microprocessor to Configure Xilinx FPGAs via Slave Serial or SelectMAP Mode*. It is one of many possible implementations.
5. The DONE pin is by default an open-drain output with an internal pull-up. An additional external pull-up is recommended. The DONE pin has a programmable active driver that can be enabled via the BitGen option **-g DriveDone**.
6. The INIT_B pin is a bidirectional, open-drain pin. An external pull-up resistor is recommended.
7. The BitGen startup clock setting must be set for CCLK for SelectMAP configuration.
8. The CSI_B and RDWR_B signals can be tied to ground if only one FPGA is going to be configured and readback is not needed.
9. The D[0:n] bus can be x8 or x16 for Slave SelectMAP configuration.
10. V_{FS} is present in 6SLX75/T, 6SLX100/T, and 6SLX150/T devices, and is used for eFUSE programming. See [eFUSE](#), page 88 for more details.
11. V_{BATT} is present in 6SLX75/T, 6SLX100/T, and 6SLX150/T devices, and is the power source for AES key storage. If AES encryption is unused, V_{BATT} can be tied to either V_{CCAUX} or ground, or left unconnected.
12. If VCCO_2 is 1.8V, V_{CCAUX} must be 2.5V. If VCCO_2 is 2.5V or 3.3V, V_{CCAUX} can be either 2.5V or 3.3V.
13. The SUSPEND pin should be Low during power up and configuration. If the Suspend feature is not used, the SUSPEND pin must be connected to ground.

SelectMAP Data Loading

The SelectMAP interface allows for either continuous or non-continuous data loading. Data loading is controlled by the CSI_B, RDWR_B, and CCLK signals.

CSI_B

The Chip Select input (CSI_B) enables the SelectMAP bus after the sync word has been detected. Prior to sync word detection, the D[0:n] pins are sampled on every clock edge regardless of the state of CSI_B. CSI_B should not be deasserted in the middle of a sync word. When CSI_B is High, the Spartan-6 device ignores the SelectMAP interface, neither registering any inputs nor driving any outputs. D[0:n] is placed in a High-Z state, and RDWR_B is ignored.

- If CSI_B = 0, the device's SelectMAP interface is enabled.
- If CSI_B = 1, the device's SelectMAP interface is disabled.

For a multiple device SelectMAP configuration, refer to [Chapter 9, Advanced Configuration Interfaces](#).

If only one device is being configured through the SelectMAP interface and readback is not required, or if ganged SelectMAP configuration is used, the CSI_B signal can be tied to ground, as illustrated in [Chapter 9, Advanced Configuration Interfaces](#).

RDWR_B

RDWR_B is an input to the Spartan-6 device that controls whether the data pins are inputs or outputs:

- If RDWR_B = 0, the data pins are inputs (writing to the FPGA).
- If RDWR_B = 1, the data pins are outputs (reading from the FPGA).

For configuration, RDWR_B must be set for write control (RDWR_B = 0). For readback, RDWR_B must be set for read control (RDWR_B = 1) while CSI_B is deasserted. (For details, refer to [Chapter 6, Readback and Configuration Verification](#).) If readback is not needed, RDWR_B can be tied to ground or used for debugging with SelectMAP ABORT.

The RDWR_B signal is ignored while CSI_B is deasserted. Read/write control of the 3-stating of the data pins is asynchronous. The FPGA actively drives SelectMAP data without regard to CCLK if RDWR_B is set for read control (RDWR_B = 1, Readback) while CSI_B is asserted. If RDWR_B is changed while CSI_B is still asserted, the FPGA asynchronously detects the violation and drives the BUSY signal, indicating an ABORT. The status register is not updated until the next rising CCLK edge (see [SelectMAP ABORT, page 149](#)).

CCLK

All activity on the SelectMAP data bus is synchronous to CCLK. When RDWR_B is set for write control (RDWR_B = 0, Configuration), the FPGA samples the SelectMAP data pins on rising CCLK edges. When RDWR_B is set for read control (RDWR_B = 1, Readback), the FPGA updates the SelectMAP data pins on rising CCLK edges.

In Slave SelectMAP mode, configuration can be paused by stopping CCLK (see [Non-Continuous SelectMAP Data Loading, page 37](#)).

Continuous SelectMAP Data Loading

Continuous data loading is used in applications where the configuration controller can provide an uninterrupted stream of configuration data. After power-up, the configuration controller sets the RDWR_B signal for write control (RDWR_B = 0) and asserts the CSI_B signal (CSI_B = 0), causing the device to drive BUSY Low (this transition is asynchronous). RDWR_B must be driven Low before CSI_B is asserted, otherwise an ABORT occurs, see [SelectMAP ABORT, page 149](#).

On the next rising CCLK edge, the device begins sampling the data pins. Pins D[0:15] are sampled by Configuration until the bus width is determined. See [Sync Word/Bus Width Auto Detection, page 74](#) for details. After bus width is determined, the proper width of the data bus is sampled for the synchronization word search. Configuration begins after the synchronization word is clocked into the device.

After the configuration bitstream is loaded, the device enters the startup sequence. The device asserts its DONE signal High in the phase of the startup sequence that is specified by the bitstream (see [Startup \(Step 8\) in Chapter 5](#)). The configuration controller should continue sending CCLK pulses until after the startup sequence has finished. (This can require several CCLK pulses after DONE goes High. See [Startup \(Step 8\) in Chapter 5](#) for details).

After configuration, the CSI_B and RDWR_B signals can be deasserted, or they can remain asserted. Because the SelectMAP port is inactive, toggling RDWR_B at this time does not cause an abort. [Figure 2-8](#) summarizes the timing of SelectMAP configuration with continuous data loading.

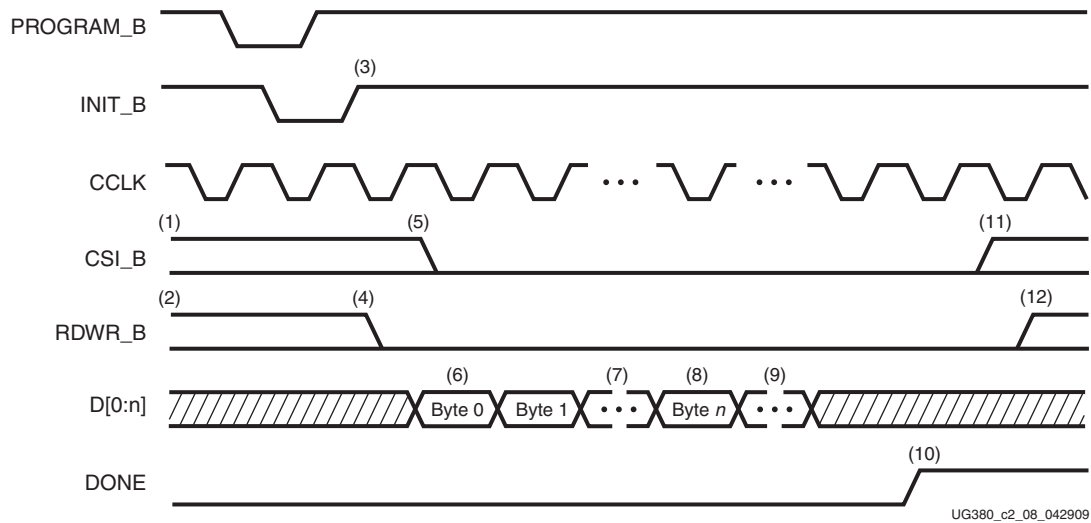


Figure 2-8: Continuous x8 or x16 SelectMAP Data Loading

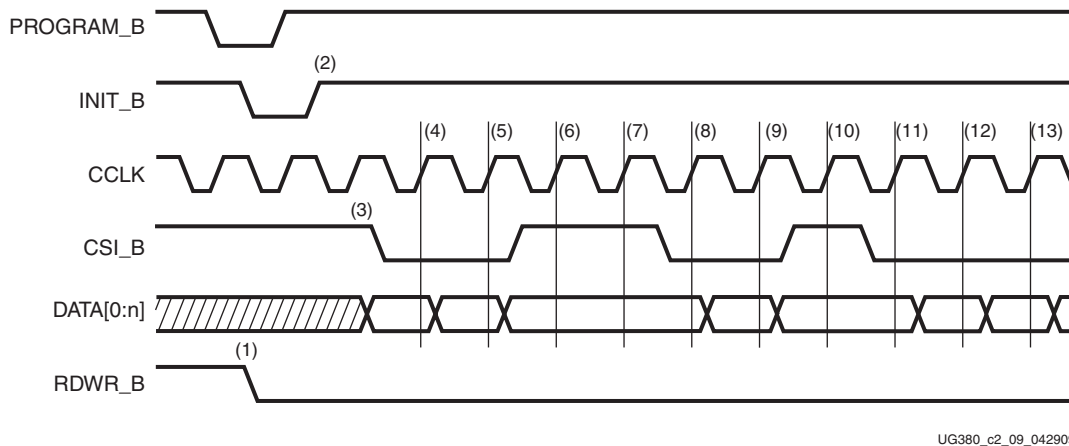
Notes relevant to [Figure 2-8](#):

1. CSI_B signal can be tied Low if there is only one device on the SelectMAP bus. If CSI_B is not tied Low, it can be asserted at any time.
2. RDWR_B can be tied Low if readback is not needed. RDWR_B should not be toggled after CSI_B has been asserted because this triggers an ABORT. See [SelectMAP ABORT](#), page 149.
3. The Mode pins are sampled when INIT_B goes High.
4. RDWR_B should be asserted before CSI_B to avoid causing an abort.
5. CSI_B is asserted, enabling the SelectMAP interface.
6. The first byte is loaded on the first rising CCLK edge after CSI_B is asserted.
7. The configuration bitstream is loaded one byte per rising CCLK edge.
8. After the startup command is loaded, the device enters the startup sequence.
9. The startup sequence lasts a minimum of eight CCLK cycles (see [Startup \(Step 8\) in Chapter 5](#)).
10. The DONE pin goes High during the startup sequence. Additional CCLKs can be required to complete the startup sequence. (See [Startup \(Step 8\) in Chapter 5](#).)
11. After configuration has finished, the CSI_B signal can be deasserted.
12. After the CSI_B signal is deasserted, RDWR_B can be deasserted.
13. The data bus can be x8 or x16.

Non-Continuous SelectMAP Data Loading

Non-continuous data loading is used in applications where the configuration controller cannot provide an uninterrupted stream of configuration data—for example, if the controller pauses configuration while it fetches additional data.

Configuration can be paused in two ways: by deasserting the CSI_B signal (Free-Running CCLK method, [Figure 2-9](#)) or by halting CCLK (Controlled CCLK method, [Figure 2-10](#)). The only time that the CSI_B signal must NOT be deasserted is during the loading of the sync word or within two CCLK cycles after the loading of the sync word.

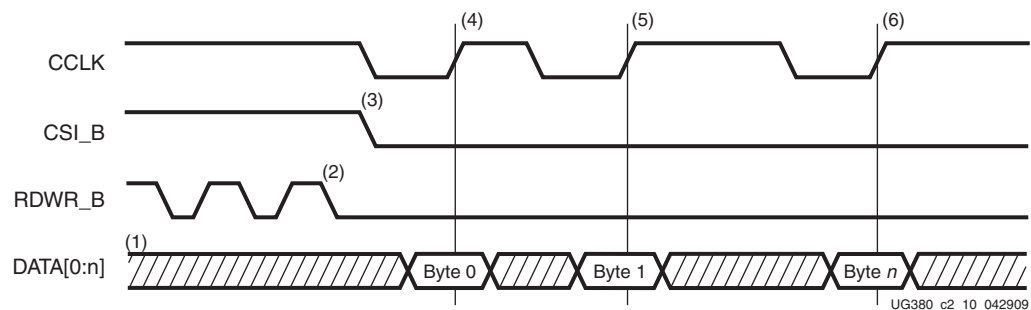


UG380_c2_09_042909

Figure 2-9: Non-Continuous SelectMAP Data Loading with Free-Running CCLK

Notes relevant to [Figure 2-9](#):

1. RDWR_B is driven Low by the user, setting the D[0:n] pins as inputs for configuration. RDWR_B can be tied Low if readback is not needed. RDWR_B should not be toggled after CSI_B has been asserted because this triggers an ABORT. See [SelectMAP ABORT](#), page 149. CSI_B cannot be deasserted during the sync word.
2. The device is ready for configuration after INIT_B toggles High.
3. The user asserts CSI_B Low, enabling the SelectMAP data bus. CSI_B signal can be tied Low if there is only one device on the SelectMAP bus. If CSI_B is not tied Low, it can be asserted at any time.
4. A byte is loaded on the rising CCLK edge. The data bus can be x8 or x16 wide.
5. A byte is loaded on the rising CCLK edge.
6. The user deasserts CSI_B, and the byte is ignored.
7. The user deasserts CSI_B, and the byte is ignored.
8. A byte is loaded on the rising CCLK edge.
9. A byte is loaded on the rising CCLK edge.
10. The user deasserts CSI_B, and the byte is ignored.
11. A byte is loaded on the rising CCLK edge.
12. A byte is loaded on the rising CCLK edge.
13. A byte is loaded on the rising CCLK edge.



UG380_c2_10_042909

Figure 2-10: Non-Continuous SelectMAP Data Loading with Controlled CCLK

Notes relevant to [Figure 2-10](#):

1. The Data pins are in the High-Z state while CSI_B is deasserted. The data bus can be x8 or x16.
2. RDWR_B has no effect on the device while CSI_B is deasserted.
3. CSI_B is asserted by the user. The device begins loading configuration data on rising CCLK edges.
4. A byte is loaded on the rising CCLK edge.
5. A byte is loaded on the rising CCLK edge.
6. A byte is loaded on the rising CCLK edge.

SelectMAP Data Ordering

In many cases, SelectMAP configuration is driven by a user application residing on a microprocessor, CPLD, or in some cases another FPGA. In these applications, it is important to understand how the data ordering in the configuration data file corresponds to the data ordering expected by the FPGA.

In SelectMAP x8 mode, configuration data is loaded at one byte per CCLK, with the MSB of each byte presented to the D0 pin. This convention (D0 = MSB, D7 = LSB) *differs* from many other devices. For x16 modes, see [Parallel Bus Bit Order, page 76](#). This convention can be a source of confusion when designing custom configuration solutions. [Table 2-4](#) shows how to load the hexadecimal value 0xABCD into the SelectMAP data bus.

Table 2-4: Bit Ordering for SelectMAP 8-Bit Mode

CCLK Cycle	Hex Equivalent	D0	D1	D2	D3	D4	D5	D6	D7
1	0xAB	1	0	1	0	1	0	1	1
2	0xCD	1	1	0	0	1	1	0	1

Notes:

1. D[0:7] represent the SelectMAP DATA pins.

Some applications can accommodate the non-conventional data ordering without difficulty. For other applications, it can be more convenient for the source configuration data file to be *bit swapped*, meaning that the bits in each byte of the data stream are reversed. For these applications, the Xilinx PROM file generation software can generate bit-swapped PROM files (see [Configuration Data File Formats, page 72](#)).

[Table 2-5](#) shows the bit ordering for x8 and x16 modes.

Table 2-5: Spartan-6 FPGA Bit Ordering

Mode	Pins															
	15	14	13	12	11	10	9	8	7	6	5	4	3	2	1	0
x16	8	9	10	11	12	13	14	15	0	1	2	3	4	5	6	7
x8									0	1	2	3	4	5	6	7

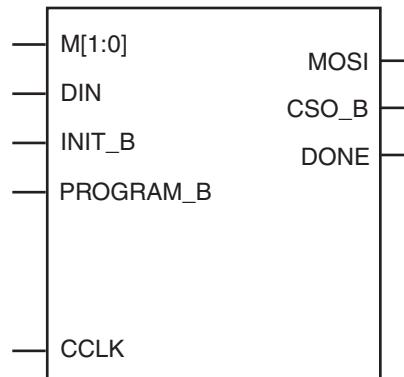
SPI Configuration Interface

The Master Serial Peripheral Interface (SPI) (Figure 2-11) allows a SPI serial flash to be used to store configuration data. The Spartan-6 FPGA configures itself from a directly attached industry-standard SPI serial flash PROM. Although SPI is a standard four-wire interface, various available SPI flash memories use different read commands and protocol.

Figure 2-12 shows the connections for an SPI configuration with a data width of x1 or x2. These connections are the same because the x2 flash devices use the D pin as a dual purpose Data In/Out pin. Connections for the SPI x4 option are shown in Figure 2-13, page 43; two additional data pins provide a 4-bit data interface. Daisy-chained configuration mode is only available in SPI x1 mode. The FPGA pin connections to the SPI flash PROM involved in the Master SPI mode are listed in Table 2-5.

The iMPACT programming software provides the ability to program an SPI serial flash using an indirect programming method. This downloads a new FPGA design that provides a connection from the iMPACT software through the Spartan-6 device to the SPI flash. Previous FPGA memory contents are lost. For a list of supported SPI flash devices in the latest version of software, see the [software help documentation](#).

For more details see [XAPP586: Using SPI Flash with 7 Series FPGAs](#).



UG380_c2_11_051909

Figure 2-11: Spartan-6 FPGA SPI Configuration Interface

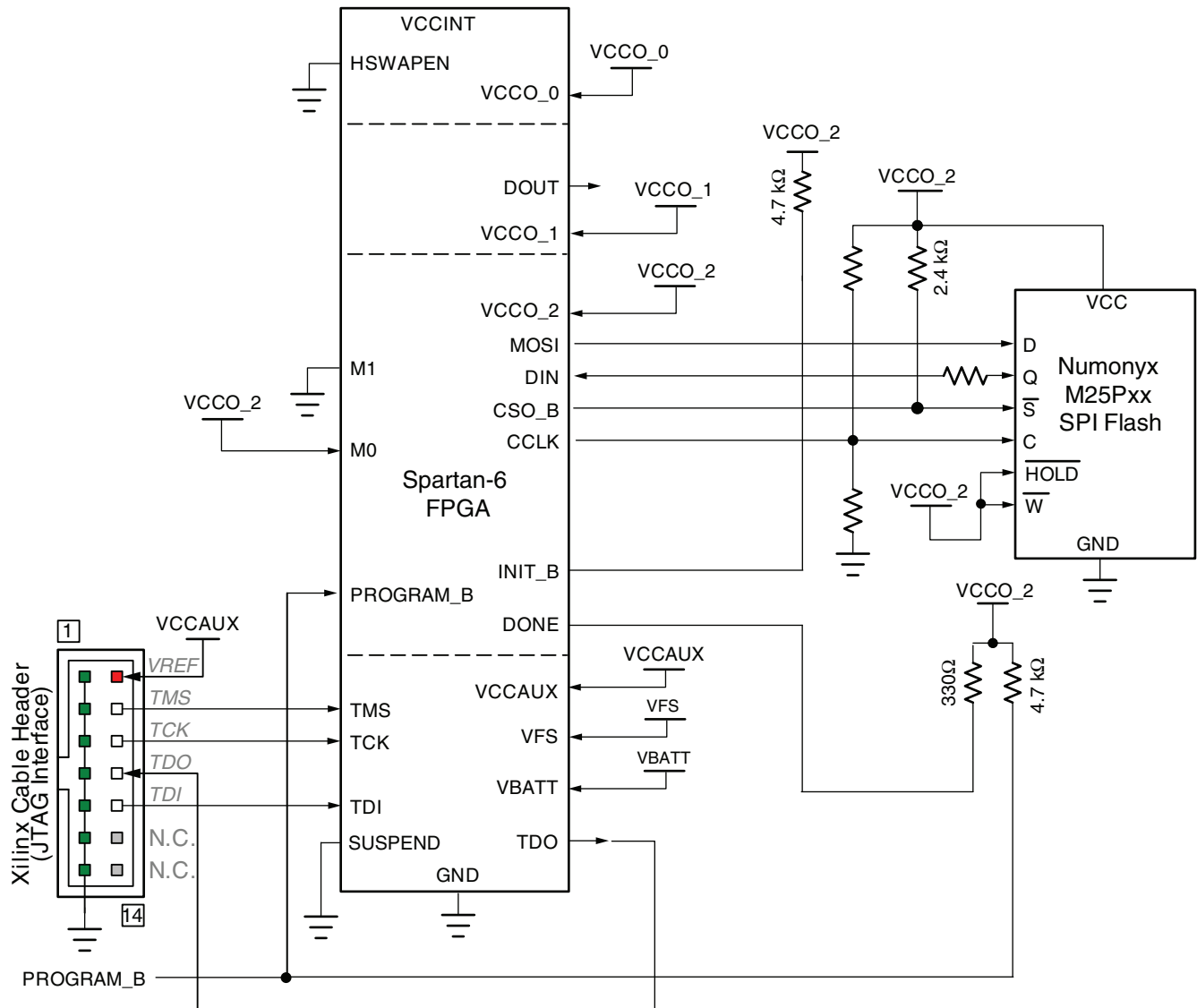
Table 2-6 describes the SPI configuration interface pins.

Table 2-6: Spartan-6 FPGA SPI Configuration Interface Pins

Pin Name	FPGA Direction	Description	During Configuration	After Configuration
HSWAPEN	Input	User I/O Pull-Up Control. When Low during configuration, enables pull-up resistors in all I/O pins to respective I/O bank V _{CC0} input. 0: Pull-ups during configuration 1: No pull-ups	Drive at valid level throughout configuration.	User I/O
M[1:0]	Input	Mode Select. Selects the FPGA configuration mode.	M[1:0] = 2'b01 Sampled when INIT_B goes High.	User I/O
MOSI/ MISO[0]/ CSI_B	Output/Input	Master FPGA Serial Data Output and Master FPGA Serial Data Input. Connect to the SPI Flash PROM's Slave Data Input pin.	FPGA sends SPI flash memory read commands and starting address to the PROM's serial data input.	User I/O

Table 2-6: Spartan-6 FPGA SPI Configuration Interface Pins (Cont'd)

Pin Name	FPGA Direction	Description	During Configuration	After Configuration
DIN/D0/ MISO/ MISO[1]	Input	Master FPGA Serial Data Input and Slave SPI flash output. Connect to the SPI flash PROM's Slave Data Output pin.	FPGA receives serial data from PROM's serial data output.	User I/O
CSO_B	Output	Master SPI Chip Select Output. Active Low. Connect to the SPI flash PROM's Slave Select input.	If HSWAPEN_B = 1, connect this signal to V _{CCO} through pull-up resistor externally.	User I/O. Drive CSO_B High after configuration to disable the SPI flash and reclaim MOSI, DIN, and CCLK pins. Optionally reuse this pin, MOSI, DIN, and CCLK to continue communicating with SPI flash.
CCLK	Output	Configuration Clock. Generated by FPGA internal oscillator. Connect to the SPI flash PROM's Slave Clock input.	Drive PROM's clock input.	User I/O. Drive High or Low if not used.
DOUT	Output	Serial Data Output. Used in multi-FPGA daisy-chain configurations.	Not used in single-FPGA designs; DOUT is pulled up and is not actively driving. In a daisy-chain configuration, this pin connects to the DIN input of the next FPGA in the chain.	User I/O
INIT_B	Open-Drain Bidirectional I/O	Initialization indicator. Active Low. Goes Low at start of configuration during initialization memory clearing process. Released at the end of memory clearing, where mode pins are sampled.	Active during configuration. If SPI flash PROM requires more than 2 ms to awake after powering on, hold INIT_B Low until PROM is ready.	User I/O if POST_CRC is not enabled. Use a pull-up resistor on INIT_B.
DONE	Open-Drain Bidirectional I/O	FPGA Configuration Done. Low during configuration. Goes High when the FPGA successfully completes configuration.	Low indicates that the FPGA is not yet configured.	Dedicated. Pulled High via external pull-up. When High, indicates that the FPGA is successfully configured.
PROGRAM_B	Input	Program FPGA. Active Low. When asserted Low for 500 ns or longer, forces the FPGA to restart its configuration process by clearing configuration memory and resetting the DONE and INIT_B pins after PROGRAM_B returns High.	Must be High to allow configuration to start.	Drive PROGRAM_B Low and release to reprogram FPGA. Hold PROGRAM_B to force the FPGA I/O pins into High-Z, allowing direct programming access to SPI flash PROM pins.
MISO[3:2]	Input	Master FPGA Serial Data Input and Slave SPI data output.	Used only when using the fast-read quad output command.	User I/O



Refer to the Notes following this figure for related information.

UG380_c2_12_062510

Figure 2-12: Spartan-6 FPGA SPI Configuration Interface

Notes relevant to [Figure 2-12](#):

1. See [Table 5-2, page 70](#) for internal pin terminations and pins affected by HSWAPEN.
2. DOUT should be connected to the DIN of the downstream FPGA for daisy-chained configuration modes.
3. For more details on CCLK termination, see [Board Layout for Configuration Clock \(CCLK\), page 54](#).
4. A series resistor should be considered for the datapath from the flash to the FPGA to minimize overshoot. The proper resistor value can be determined from simulation.
5. The Spartan-6 FPGA VCCO_2 supply must be the same voltage as V_{CC} of the SPI device.
6. CSO_B and MOSI are clocked by the CCLK falling edge.
7. DIN is clocked on the rising edge of the CCLK.

8. There are additional pins on the SPI flash side, such as Write Protect and Hold. These pins are not used in FPGA configuration (read only). But they should be tied off appropriately according to the SPI vendor's specification.
9. If HSWAPEN is left unconnected or tied High, a pull-up resistor is required for CSO_B.
10. The CCLK frequency is adjusted by using the BitGen option **ConfigRate** if the source is the internal oscillator. If an external source is used, see [External Configuration Clock for Master Modes, page 53](#) for more details.
11. The DONE pin is by default an open-drain output with an internal pull-up. An additional external pull-up is recommended in general, but required when using the indirect programming method using iMPACT. The DONE pin has a programmable active driver that can be enabled via the BitGen option **-g DriveDone**.
12. When the digital clock manager (DCM) or PLL lock wait is enabled before the DONE release cycle during startup, the FPGA continues to clock in data until the startup wait condition is met and DONE is released. See [Required Data Spacing between MultiBoot Images, page 132](#) for considerations specific to MultiBoot Configuration.
13. [Figure 2-12](#) shows a Numonyx SPI flash device. Refer to the ISE software overview at http://www.xilinx.com/support/documentation/sw_manuals/xilinx11/isehelp_start.htm and navigate to the iMPACT help documentation ("Introduction to Indirect Programming") to see which devices are supported for indirect SPI configuration using iMPACT.
14. V_{FS} is present in 6SLX75/T, 6SLX100/T, and 6SLX150/T devices, and is used for eFUSE programming. See [eFUSE, page 88](#) for more details.
15. V_{BATT} is present in 6SLX75/T, 6SLX100/T, and 6SLX150/T devices, and is the power source for AES key storage. If AES encryption is unused, V_{BATT} can be tied to either V_{CCAUX} or ground, or left unconnected.
16. If V_{CCO_2} is 1.8V, V_{CCAUX} must be 2.5V. If V_{CCO_2} is 2.5V or 3.3V, V_{CCAUX} can be either 2.5V or 3.3V.
17. The SUSPEND pin should be Low during power up and configuration. If the Suspend feature is not used, the SUSPEND pin must be connected to ground.

Spartan-6 FPGAs also support x4 configuration with SPI PROMs in Master Serial Mode. See [Figure 2-13](#).

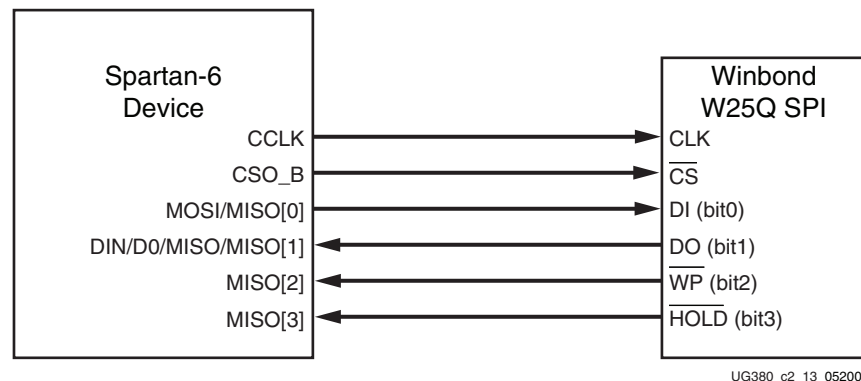


Figure 2-13: Master Serial Quad-Bit SPI Configuration

Notes relevant to [Figure 2-13](#):

1. The connection shown in [Figure 2-13](#) uses the Winbond W25Q SPI series flash PROM. Other SPI devices are supported, including devices from Spansion and Micron. For a

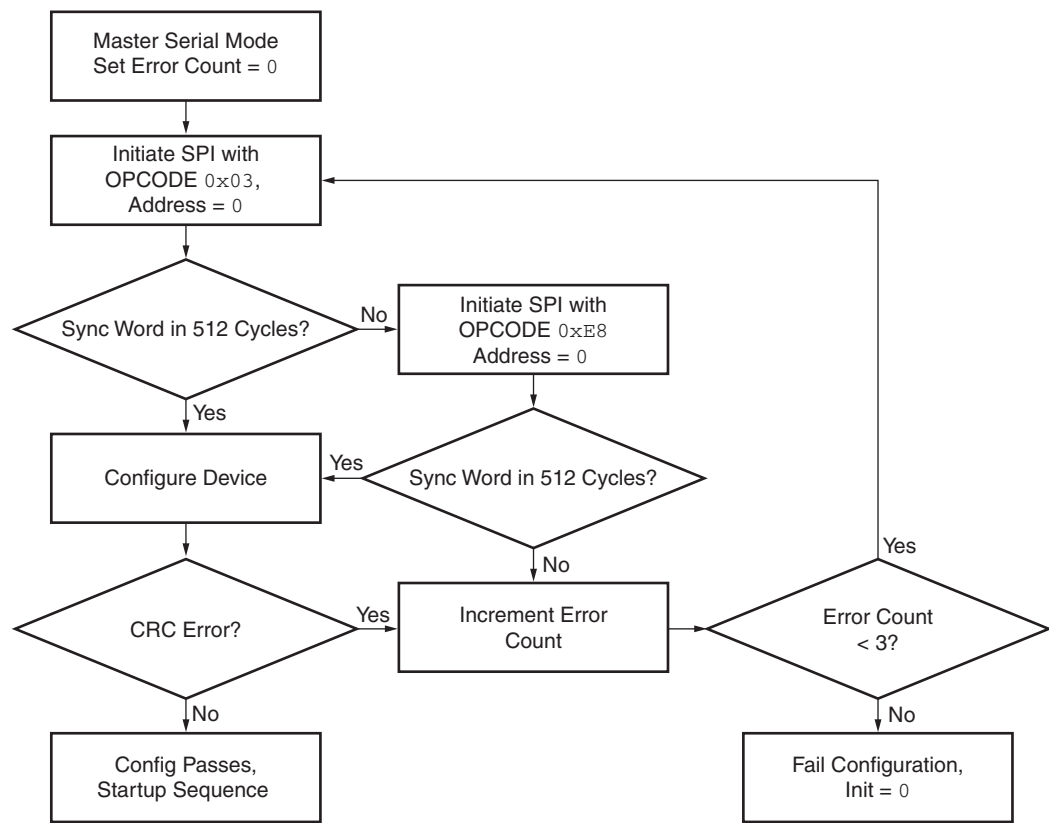
complete list, see the URL for the ISE software overview at the beginning of [SPI Configuration Interface](#), page 40.

2. Software support for x4 requires the x4 capability enabled in BitGen (-g: spi_buswidth:4).
3. The SPI device needs to be programmed with a specific register setting, which is done in iMPACT software, to enable x4 output.
4. [Figure 2-12](#) is used as a basis for the connections for x4 data width mode. The only differences are the MISO[2] and MISO[3] connections. These two pins also require pull-ups to VCCO_2.

Master SPI Vendor Auto-Detection and Error Handling

The SPI read command is automatically selected, using a read-command looping mechanism for the initial device configuration. This looping algorithm is outlined in [Figure 2-14](#). SPI x2 and x4 applications use this sequence for an initial data load. After the first set of commands are issued to the FPGA, the read command changes in the Mode_Reg and configuration changes to x2 or x4 mode using the IPROG command. To enable these modes, the BitGen `spi_buswidth` option needs to have the SPI x2 or x4 command set.

MultiBoot applications require a manual setting of the read command to be used along with other MultiBoot settings contained in the Mode_Reg, General 2, and General 4 registers.



UG380_c2_14_011310

Figure 2-14: Read-Command Looping Mechanism during Initial Configuration

Master SPI Timing Waveform

Figure 2-15 shows SPI Read (opcode = 03H), which is the first read command issued by the device. If this read command fails to return a sync word, the next read command of E8h is issued to the device (see Figure 2-16).

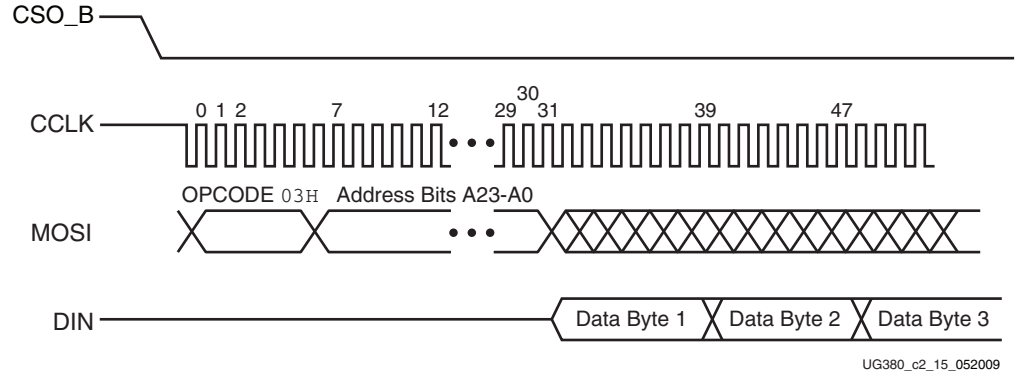


Figure 2-15: Master SPI Timing Diagram (opcode = 03h)

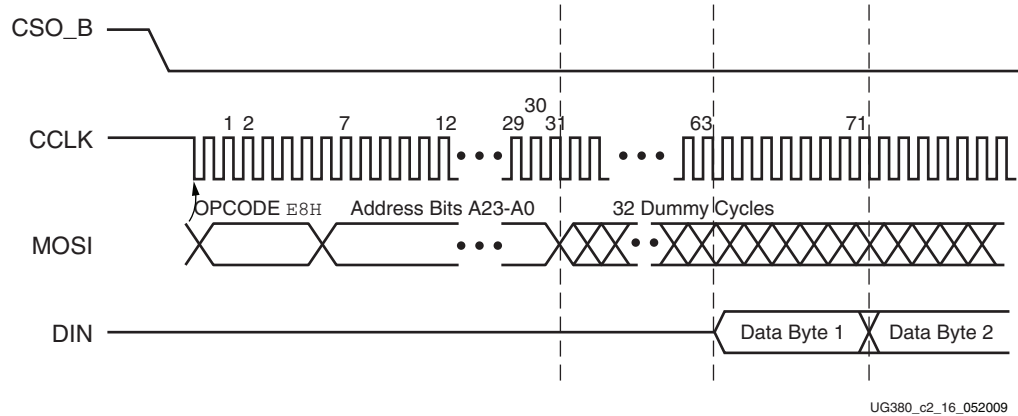


Figure 2-16: Master Serial SPI Timing Diagram (opcode = E8h)

Master SPI Dual (x2) and Quad (x4) Read Commands

The Master SPI configuration mode in Spartan-6 FPGAs supports the SPI flash memory dual (x2) and quad bit (x4) memory fast output read commands. To enable this configuration method in software, the BitGen `spi_buswidth` option is used to create a `.bit` file for SPI x2 or x4. The FPGA still initially boots in x1 mode and then switches to x2 or x4 mode.

In x2 mode, the Fast-Read Dual Output (3Bh) instruction is issued and is similar to the standard Fast Read (0Bh) instruction except that data is output on two pins, DO and DIO (MOSI), instead of just DO. This allows data to be transferred from the dual output at twice the rate of standard SPI devices. The timing diagram of the Master Serial SPI configuration mode using an SPI flash with dual read-bit command (3Bh) is shown in Figure 2-17.

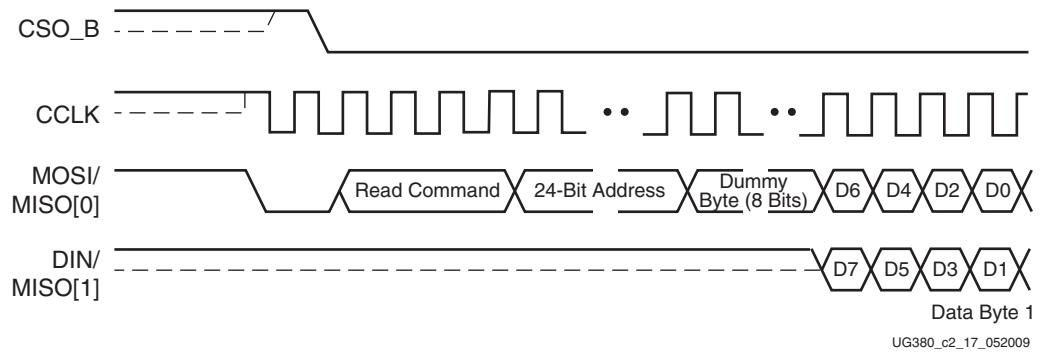


Figure 2-17: Timing Diagram of Winbond SPI Dual-Read Bit Command (3Bh)

In x4 mode, the Fast-Read Quad Output (6Bh) instruction is issued and is similar to the standard Fast Read (0Bh) instruction except that data is output on four data pins, instead of just D0. This allows data to be transferred from the quad output at four times the rate of standard SPI devices. The timing diagram of the Master Serial SPI configuration mode using an SPI flash with quad read bit command (6Bh) is shown in Figure 2-18.

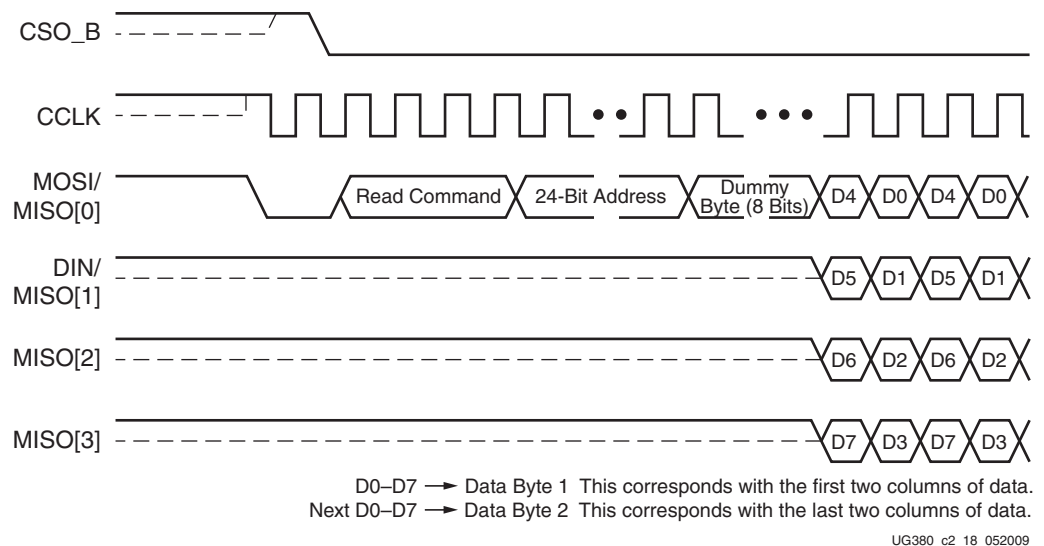


Figure 2-18: Timing Diagram of Winbond SPI Quad-Read Bit Command (6Bh)

Power-On Sequence Precautions

At power-on, the FPGA automatically starts its configuration procedure. When the FPGA is in Master Serial SPI configuration mode, the FPGA asserts CSO_B Low to select the SPI flash and drives a read command to the SPI flash. The SPI flash must be awake and ready to receive commands before the FPGA drives CSO_B Low and sends the read command.

Because different power rails can supply the FPGA and SPI flash or because the FPGA and SPI flash can respond at different times along the ramp of a shared power supply, special attention to the FPGA and SPI Flash power-on sequence or power-on ramps is essential. The power-on sequence or power supply ramps can cause the FPGA to awake, or start, before the SPI flash or vice versa. In addition, some SPI flash devices specify a minimum time period, which can be several milliseconds from power-on, during which the device must not be selected. For many systems with near-simultaneous power supply ramps, the FPGA power-on reset time (T_{POR}) can sufficiently delay the start of the FPGA

configuration procedure such that the SPI flash becomes ready before the start of the FPGA configuration procedure. In general, the system design must consider the effect of the power sequence, the power ramps, FPGA power-on reset timing, and SPI flash power-up timing on the timing relationship between the start of FPGA configuration and the readiness of the SPI flash. Check [DS162](#), *Spartan-6 FPGA Data Sheet: DC and Switching Characteristics*, for Spartan-6 FPGA power supply requirements and timing. Check the SPI flash data sheet for the SPI flash power-up timing requirements.

One of the following system design approaches can ensure that the SPI flash is ready to receive commands before the FPGA starts its configuration procedure:

- Control the sequence of the power supplies such that the SPI flash is certain to be powered and ready for asynchronous reads before the FPGA begins its configuration procedure.
- Hold the FPGA PROGRAM_B pin Low from power-up to delay the start of the FPGA configuration procedure and release the PROGRAM_B pin to High after the SPI flash is fully powered and is able to receive commands.
- Hold the FPGA INIT_B pin Low from power-up to delay the start of the FPGA configuration procedure and release the INIT_B pin to High after the SPI flash becomes ready to receive commands.

For more information on how to configure FPGAs with SPI flash and how to use iMPACT software perform in-system SPI programming, see [XAPP951](#), *Configuring Xilinx FPGAs with SPI Serial Flash*.

SPI Serial Daisy-Chain

In a serial daisy-chain application, the leading device can be in SPI mode and all downstream devices in Slave Serial mode. In this case, all configuration bitstreams can be stored inside one SPI device. The bitstream format for Master and Slave Serial daisy-chains is exactly the same. See [Serial Daisy-Chains](#), page 141 for details.

Master BPI Configuration Interface

In the Master Byte-wide Peripheral Interface (BPI) shown in [Figure 2-19](#), the Spartan-6 FPGA can configure itself from an industry-standard parallel NOR flash, as illustrated in [Figure 2-20](#). Spartan-6 FPGAs support up to 1 Gb parallel NOR flash, which can be accessed with up to 26 address signals. Refer to the specific Spartan-6 device and package to determine the number of address signals that limit the maximum flash density for configuration.

Some BPI considerations are:

- The memory controller block in bank 1 (MCB-M1) cannot be used when the Master BPI configuration interface is targeted. The design can either use the dual-purpose pins for the MCB or for the BPI configuration interface but not both.
- 6SLX25/T devices do not support the BPI interface.
- 6SLX4 devices and Spartan-6 FPGAs in TQG144 and CPG196 packages do not support the BPI interface.
- In the CSG225 package, address configuration pins A22 and A23 are not available.

The iMPACT programming software provides the ability to program top or bottom boot parallel NOR flash using an indirect programming method. A small piece of IP is required to be added to the FPGA design that provides a connection from the iMPACT software

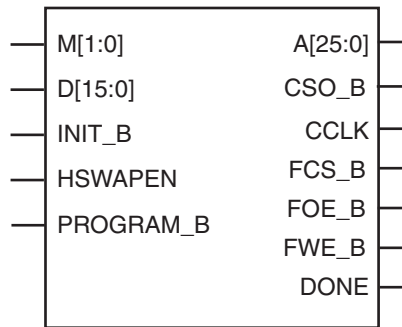
through the Spartan-6 device to the flash device. For a list of supported BPI devices, refer to the ISE software overview at http://www.xilinx.com/support/documentation/sw_manuals/xilinx11/isehelp_start.htm and navigate to the iMPACT help section “Introduction to Indirect Programming – SPI or BPI Flash Memory.”

For more details see [XAPP973](#), *Indirect Programming of BPI PROMs with Virtex-5 FPGAs*.

The FPGA drives up to 26 address lines to access the attached parallel flash. For configuration, only async read mode is used, where the FPGA drives the address bus, and the flash PROM drives back the bitstream data. Bus widths of x8 and x16 are supported. If the parallel NOR flash supports both x8 and x16 data widths, it is necessary to tie the BYTE# signal to the appropriate level for the desired width. Bus widths are auto detected, as described in [Sync Word/Bus Width Auto Detection](#), page 74.

In Master BPI mode when using a parallel NOR flash device, the CCLK output is not connected to the parallel NOR flash device. However, flash data is still sampled on the rising edge of CCLK. The address output is generated on the falling edge of CCLK. See [Board Layout for Configuration Clock \(CCLK\)](#), page 54. The timing parameters related to BPI use CCLK as a reference.

In Master BPI mode, the address starts at 0 and increments by 1 until the DONE pin is asserted. If the address reaches the maximum value (26'h3FFFFFF) and configuration is not done (DONE is not asserted), the counter wraps around and starts again from 0.



UG380_c2_25_121109

Figure 2-19: Spartan-6 FPGA BPI Configuration Interface

Table 2-7 defines the BPI configuration interface pins.

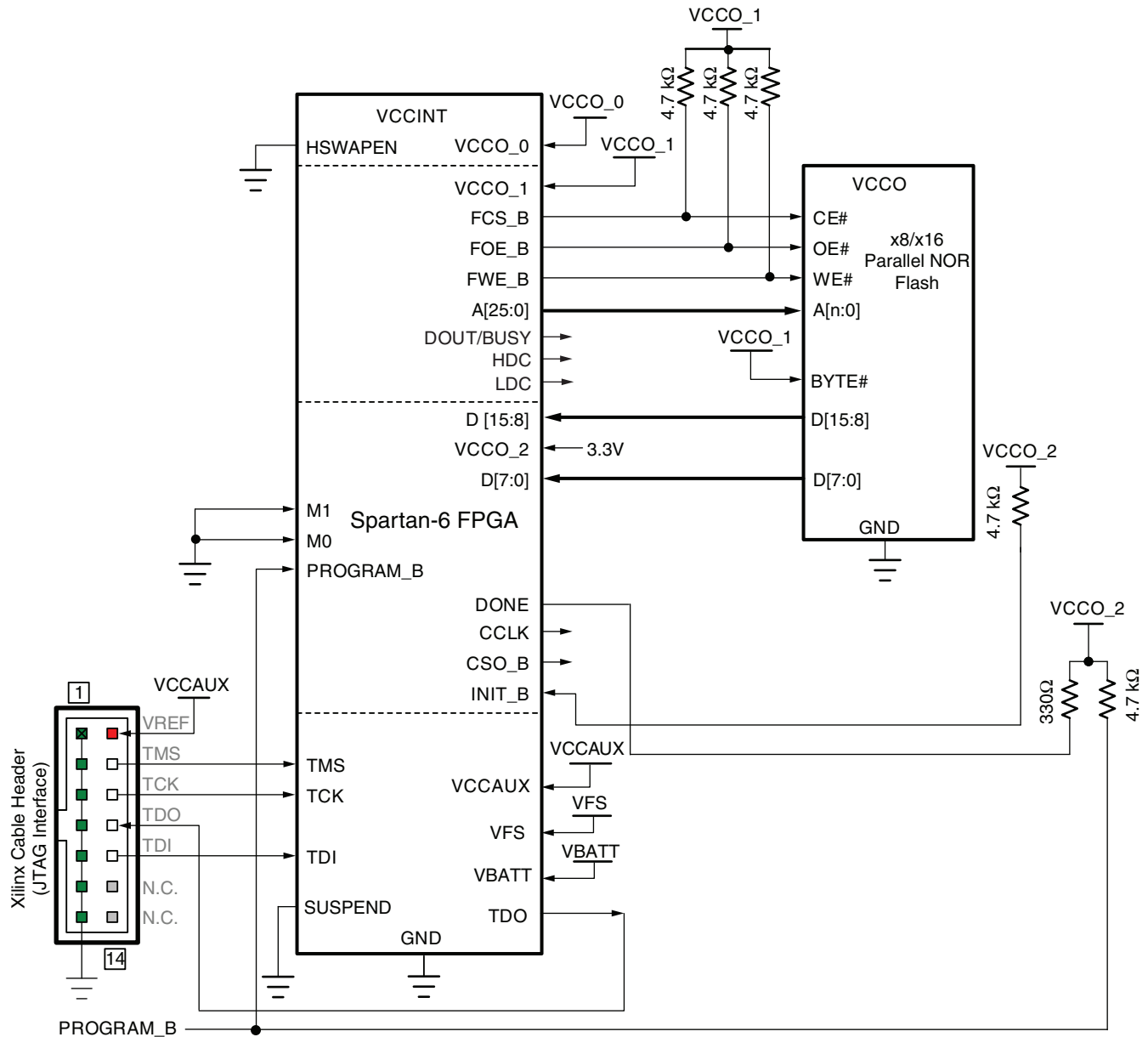
If the FPGA is subject to reprogramming during configuration from the parallel NOR flash, then the INIT pin can be connected to the BPI reset to set the BPI into a known state.

Table 2-7: Spartan-6 FPGA BPI Configuration Interface Pins

Pin Name	Type	Dedicated or Dual-Purpose	Description
M[1:0]	Input	Dual-Purpose	The Mode pins are set to 00 for Master BPI mode when configuring with parallel NOR flash: 00 = Master BPI mode
HSWAPEN	Input	Dual-Purpose	Controls I/O pull-up resistors during configuration. This pin has a built-in weak pull-up resistor. 0 = Pull-up during configuration 1 = 3-state during configuration

Table 2-7: Spartan-6 FPGA BPI Configuration Interface Pins (Cont'd)

Pin Name	Type	Dedicated or Dual-Purpose	Description
DONE	Bidirectional, Open-Drain, or Active	Dedicated	Active-High signal indicating configuration is complete: 0 = FPGA not configured 1 = FPGA configured
INIT_B	Input or Output, Open-Drain	Dual-Purpose	Before the Mode pins are sampled, INIT_B is an input that can be held Low to delay configuration. After the Mode pins are sampled, INIT_B is an open-drain, active-Low output indicating whether a CRC error occurred during configuration: 0 = CRC error 1 = No CRC error When the SEU detection function is enabled, INIT_B is reserved and cannot be used as user I/O.
PROGRAM_B	Input	Dedicated	Active-Low asynchronous full-chip reset
CCLK	Output	Dual-Purpose	Configuration clock output. CCLK does not directly connect to parallel NOR flash but is used internally to generate the address and sample read data.
FCS_B	Output	Dual-Purpose	Active-Low flash chip select output. This output is actively driven Low during configuration and 3-stated after configuration. It has a weak pull-up resistor during configuration. By default, this signal has a weak pull-down resistor after configuration.
FOE_B	Output	Dual-Purpose	Active-Low flash output enable. This output is actively driven Low during configuration and 3-stated after configuration. It has a weak pull-up resistor during configuration. By default, this signal has a weak pull-down resistor after configuration.
FWE_B	Output	Dual-Purpose	Active-Low flash write enable. This output is actively driven High during configuration and 3-stated after configuration. It has a weak pull-up resistor during configuration. By default, this signal has a weak pull-down resistor after configuration.
A[25:0]	Output	Dual-Purpose	Address output, generated on the falling edge of CCLK.
D[15:0]	Input	Dual-Purpose	Data input, sampled by the rising edge of the FPGA CCLK.
CSO_B	Output	Dual-Purpose	Parallel daisy-chain active-Low chip select output. Not used in single FPGA applications.
HDC	Output	Dual-Purpose	High During Configuration (HDC) is High and can be connected to the flash device to control byte-wide output versus 16-bit output.
LDC	Output	Dual-Purpose	Low During Configuration (LDC) is Low and can be connected to the flash device to control byte-wide output versus 16-bit output.



Refer to the Notes following this figure for related information.

UG380_c2_19_062510

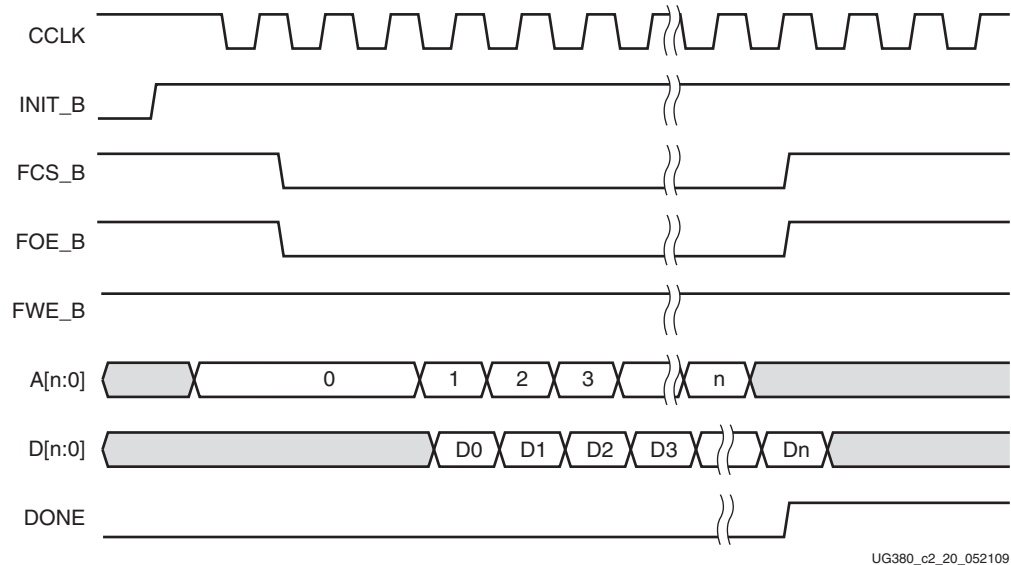
Figure 2-20: Spartan-6 FPGA Master BPI Configuration Interface

Notes relevant to [Figure 2-20](#):

1. See [Table 5-2, page 70](#) for internal pin terminations and pins affected by HSWAPEN.
2. The CCLK net is not used in this configuration mode and can be unconnected or externally terminated.
3. M[1:0] = 00 for Master BPI mode.
4. [Figure 2-20](#) shows the x16 BPI interface. For x8 BPI interfaces, only D[7:0] are used. See [Sync Word/Bus Width Auto Detection, page 74](#).
5. VCCO_1 and VCCO_2 should be the same because they both communicate with the flash device.

6. A24 and A25 can be in I/O bank 5, depending on the device. Consult the pinout for your selected device.
7. Sending a bitstream to the data pin follows the same bit-swapping rule as in SelectMAP mode. See [Parallel Bus Bit Order, page 76](#).
8. If flash programming is not required, FCS_B, FOE_B, and FWE_B can be tied off; that is, DONE is connected to FCS_B, FOE_B is tied Low, and FWE_B is tied High.
9. The CCLK outputs are not used to connect to flash but are used to sample flash read data during configuration. All timings are referenced to CCLK. The CCLK pin must *not* be driven or tied High or Low.
10. If HSWAPEN is left unconnected or tied High, a pull-up resistor is required for FCS_B.
11. The DONE pin is by default an open-drain output with an internal pull-up. An additional external pull-up is recommended in general, but required when using the indirect programming method using iMPACT. The DONE pin has a programmable active driver that can be enabled via the BitGen option **-g DriveDone**.
12. [Required Data Spacing between MultiBoot Images, page 132](#) provides information on when the DCM or PLL lock wait is turned on.
13. For details on how to daisy-chain FPGAs in BPI mode, see [Chapter 9, Advanced Configuration Interfaces](#).
14. The parallel NOR flash vendor data sheet should be referred to for details on the specific flash signal connectivity. To prevent address misalignment, close attention should be paid to the flash family address LSB for the byte/word mode used. Not all flash families use the A0 as the address LSB.
15. The CCLK frequency is adjusted by using the BitGen option **ConfigRate** if the source is the internal oscillator. If an external clock source is used, see [External Configuration Clock for Master Modes, page 53](#).
16. V_{FS} is present in 6SLX75/T, 6SLX100/T, and 6SLX150/T devices, and is used for eFUSE programming. See [eFUSE, page 88](#) for more details.
17. V_{BATT} is present in 6SLX75/T, 6SLX100/T, and 6SLX150/T devices, and is the power source for AES key storage. If AES encryption is unused, V_{BATT} can be tied to either V_{CCAUX} or ground, or left unconnected.
18. If VCCO_2 is 1.8V, V_{CCAUX} must be 2.5V. If VCCO_2 is 2.5V or 3.3V, V_{CCAUX} can be either 2.5V or 3.3V.
19. The SUSPEND pin should be Low during power up and configuration. If the Suspend feature is not used, the SUSPEND pin must be connected to ground.

Figure 2-21 shows the BPI configuration waveforms.



UG380_c2_20_052109

Figure 2-21: Spartan-6 FPGA BPI Configuration Waveforms

Notes related to Figure 2-21:

1. CCLK is output in BPI modes. The parallel NOR flash does not require CCLK, but the Spartan-6 FPGA uses the rising edge of CCLK to sample D[n:0] pins. The falling edge of CCLK is used to generate the address outputs.
2. The Spartan-6 FPGA stops loading the bitstream after the DONE pin goes High.
3. Dual-purpose configuration I/O switches to User mode after the GTS_cycle. By default, this is one cycle after DONE goes High.
4. In D[n:0], n can be 7 or 15. For A[n:0], n can be a value up to 25.
5. FCS_B, FOE_B, and FWE_B should have weak pull-ups after configuration through either I/O constraints or external pull-up resistors.
6. The first address 0 for Master BPI is extended for multiple cycles due to the initial latency.

Determining the Maximum Configuration Clock Frequency

In Master BPI mode, the FPGA delivers the configuration clock. The master configuration clock frequency of the FPGA is set through the BitGen **-g ConfigRate** option. The BitGen **-g ConfigRate** option sets the nominal configuration clock frequency. The default BitGen ConfigRate setting of 2 is recommended. This default value sets the nominal master CCLK frequency to 2 MHz, which satisfies timing requirements for the leading BPI flash families. If the timing requirements discussed in this section are satisfied, the BitGen ConfigRate setting can be increased for a faster configuration time. When determining a valid ConfigRate setting, these timing parameters must be considered:

- FPGA nominal master CCLK frequency (BitGen ConfigRate)
- FPGA Master CCLK frequency tolerance (FMCKTOL)
- A[25:0] outputs valid after CCLK falling edge (TBPICCO)
- BPI flash address to output valid (access) time (TACC)

- FPGA data setup time to CCLK rising edge (TBPIDCC)

The master configuration clock of the FPGA has a tolerance of FMCKKTOL. Due to the master configuration clock tolerance (FMCKKTOL), the BitGen **-g ConfigRate** option must be checked so that half the period for the worst-case (fastest) master CCLK frequency is greater than the sum of the FPGA address valid time, BPI flash access time, and FPGA set up time, as shown in [Equation 2-1](#).

$$\frac{1}{2 \times \text{ConfigRate} \times \text{FMCKKTOLMAX}} \geq \text{TBPICCO} + \text{TACC} + \text{TBPIDCC} \quad \text{Equation 2-1}$$

Power-On Sequence Precautions

At power-on, the FPGA automatically starts its configuration procedure. When the FPGA is in a Master-BPI configuration mode, the FPGA asserts FCS_B Low and drives a sequence of addresses to read the bitstream from a parallel NOR flash. The parallel NOR flash must be ready for asynchronous reads before the FPGA drives FCS_B Low and outputs the first address to ensure the parallel NOR flash can output the stored bitstream.

Because different power rails can supply the FPGA and parallel NOR flash or because the FPGA and parallel NOR flash can respond at different times along the ramp of a shared power supply, special attention to the FPGA and parallel NOR flash power-on sequence or power-on ramps is essential. The power-on sequence or power supply ramps can cause the FPGA to awake before the parallel NOR flash or vice versa. For many systems with near-simultaneous power supply ramps, the FPGA power-on reset time (T_{POR}) can sufficiently delay the start of the FPGA configuration procedure such that the parallel NOR flash becomes ready before the start of the FPGA configuration procedure. In general, the system design must consider the effect of the power sequence, the power ramps, FPGA power-on reset time, and parallel NOR flash power-on reset time on the timing relation between the start of FPGA configuration and the readiness of the parallel NOR flash for asynchronous reads. Check [DS162](#), *Spartan-6 FPGA Data Sheet: DC and Switching Characteristics*, for Spartan-6 FPGA power supply requirements and timing.

One of the following system design approaches can ensure that the parallel NOR flash is ready for asynchronous reads before the FPGA starts its configuration procedure:

- Control the sequence of the power supplies such that the parallel NOR flash is certain to be powered and ready for asynchronous reads before the FPGA begins its configuration procedure.
- Hold the FPGA PROGRAM_B pin Low from power-up to delay the start of the FPGA configuration procedure and release the PROGRAM_B pin to High after the parallel NOR flash is fully powered and is able to perform asynchronous reads.
- Hold the FPGA INIT_B pin Low from power-up to delay the start of the FPGA configuration procedure and release the INIT_B pin to High after the parallel NOR flash becomes ready for asynchronous reads.

External Configuration Clock for Master Modes

By default, Spartan-6 FPGAs perform master mode configuration using an internally generated clock source. However, Spartan-6 FPGAs support the ability to dynamically switch to an external clock source during master mode configuration. The external clock source is effective for an application where faster and stable configuration times are needed.

Table 2-8: Spartan-6 FPGA External Configuration Clock Interface Pin

Pin Name	Type	Dedicated or Dual-Purpose	Description
USERCCLK	Input	Dual-purpose	External configuration clock source for all master configuration modes

USERCCLK is a dual-purpose pin that can be used by the application as GCLK0 after the configuration. To enable the external clock source during master mode configuration, the **ExtMasterCclk_en** option in BitGen must be enabled. The USERCCLK frequency can be divided down using the **ExtMasterCclk_divide** BitGen option. The allowable values are 1 (default) and all even numbers between 2 and 1022. The I/O standard for the USERCCLK is LVCMOS 8 mA slow slew rate. The configuration begins with the CCLK generated by the FPGA internal oscillator. When the configuration clock register setting is reached in the bitstream, the FPGA switches from the internal oscillator to the clock found on USERCCLK (or divided down, as set by the BitGen option **ExtMasterCclk_divide**). The clock multiplexer is designed to generate a glitchless output clock during the transition. Care must be exercised when also using this clock output as an input to the design. When the end of startup (EOS) completes, the I/O standard for this pin as specified by the design is enabled. At this time, the input of this pin might glitch as the I/O changes from the default I/O standard to the user-specified I/O standard.

Board Layout for Configuration Clock (CCLK)

The Spartan-6 FPGA configuration I/Os use the LVCMOS slow slew rate 8 mA I/O standard. This requires more attention to PCB trace routing and termination for proper signal integrity.

These basic guidelines must be followed:

- Route the CCLK net as a 50Ω controlled impedance transmission line.
- Always route the CCLK net without any branching; do *not* use a *star* topology (Figure 2-25).
- Stubs, if necessary, must be shorter than 8 mm (0.3 inches).
- Terminate the end of the CCLK transmission line with a parallel termination of 100Ω to V_{CC0} and 100Ω to GND (the Thevenin equivalent of V_{CC0}/2, and assuming a trace characteristic impedance of 50Ω).
- After configuration in master mode, the CCLK pin is not driven unless it is used in the user design. If unused in the design, it is recommended to drive this pin to a logic level to prevent the pin from floating after configuration has completed.

Familiarity with the advantages and disadvantages of available termination techniques helps the designer choose the best option for the target application. Refer to [UG393](#), *Spartan-6 FPGA PCB Design and Pin Planning Guide*, for detailed guidelines to determine the appropriate topology for the intended application and detailed trade-offs. [Figure 2-22](#) through [Figure 2-24](#) show a few possible topologies for CCLK distribution. Because the Master CCLK goes to high impedance at the end of the configuration sequence, the examples using parallel termination can be less desirable than other termination options because more power is dissipated. This trade-off must be weighed against other factors to determine the optimal termination topography for an interface.

[Figure 2-22](#) through [Figure 2-25](#) show the recommended topologies for CCLK distribution.

Figure 2-22 shows the basic point-to-point topology for one CCLK driver (FPGA master) and one CCLK receiver (PROM or FPGA slave).

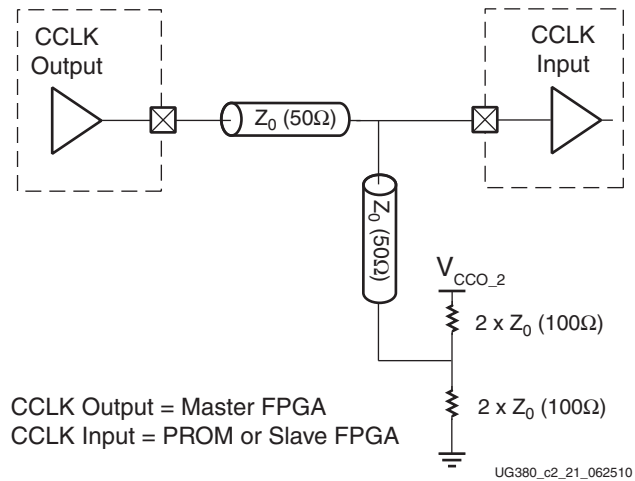


Figure 2-22: Point-to-Point: One CCLK Output, One CCLK Input

Figure 2-23 shows the basic multi-drop *flyby* topology for one CCLK driver and two CCLK receivers. The stub at CCLK input 1 has a length constraint.

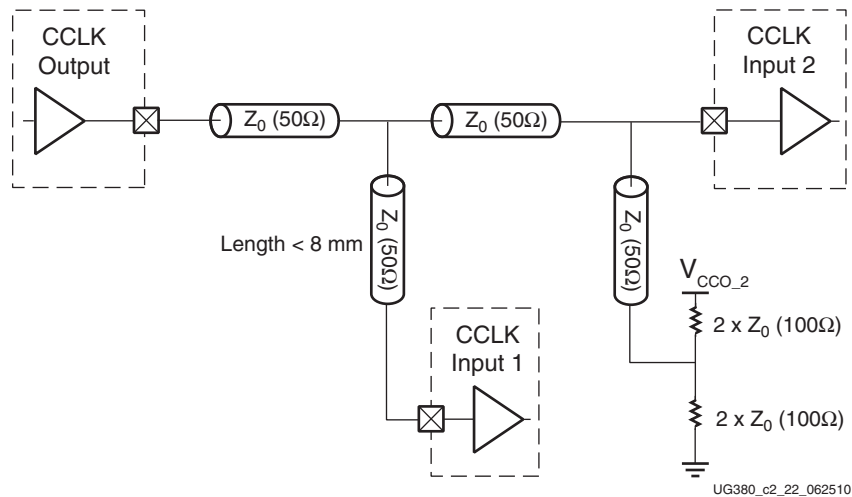


Figure 2-23: Multi-Drop: One CCLK Output, Two CCLK Inputs

Figure 2-24 shows the multi-drop *flyby* topology for one CCLK driver and more than two CCLK receivers (four in this example). All CCLK inputs except input 4 have length constraints.

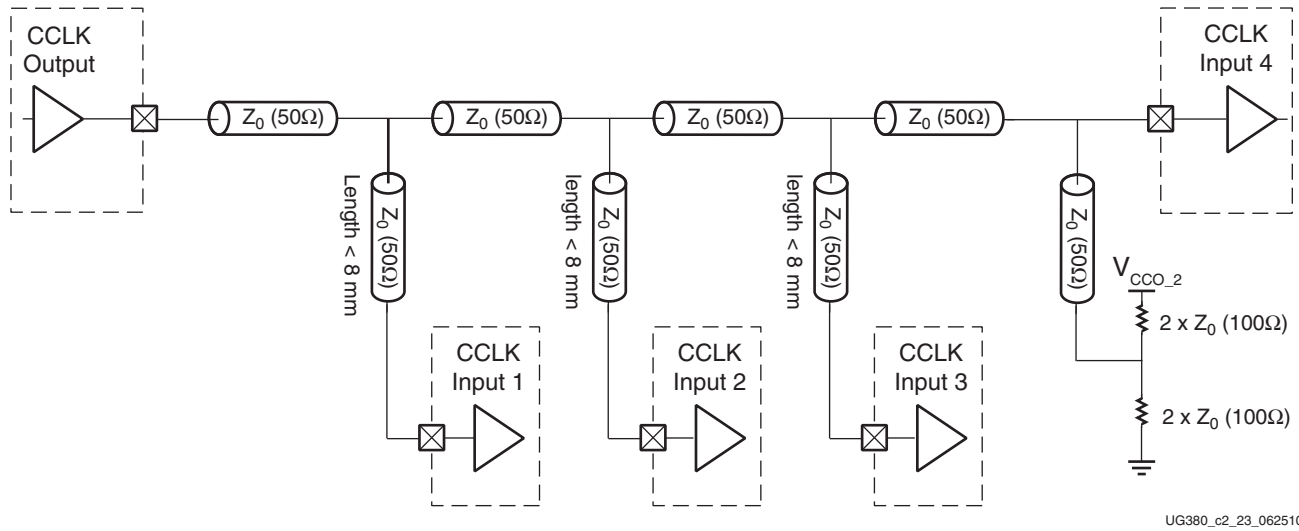


Figure 2-24: **Multi-Drop: One CCLK Output, More Than Two CCLK Inputs**

Figure 2-25 shows a *star* topology where the transmission line branches to the multiple CCLK inputs. The branch point creates a significant impedance discontinuity. This arrangement is **Not Recommended**.

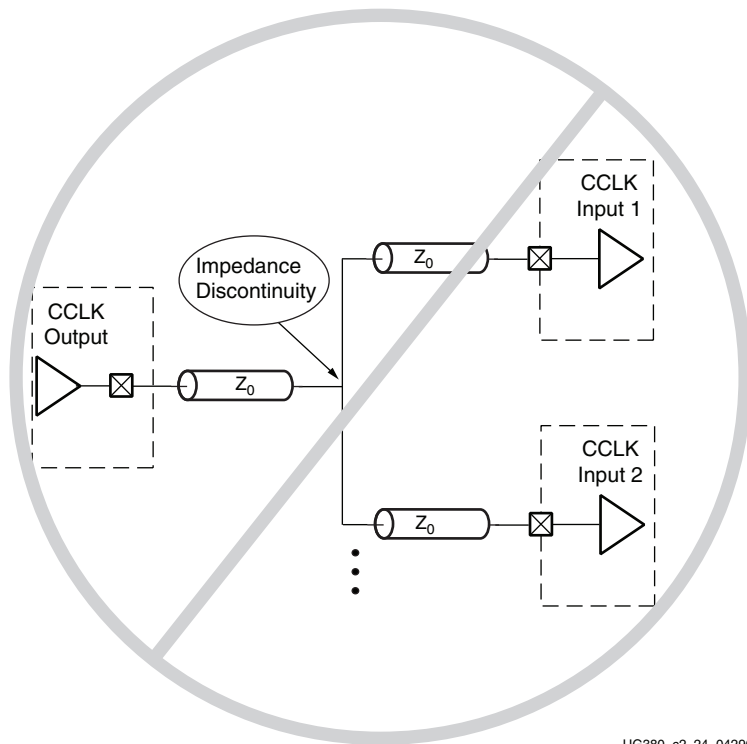


Figure 2-25: **Not Recommended**
Star Topology: One CCLK Output, Two CCLK Input

Boundary-Scan and JTAG Configuration

Introduction

Spartan®-6 devices support IEEE Std 1149.1, defining Test Access Port (TAP) and boundary-scan architecture. These standards ensure the board-level integrity of individual components and the interconnections between them. In addition to connectivity testing, boundary-scan architecture offers flexibility for vendor-specific instructions, such as configure and verify, which add the capability of loading configuration data directly to FPGAs and compliant PROMs. TAP and boundary-scan architecture is commonly referred to collectively as JTAG.

Boundary-Scan for Spartan-6 Devices Using IEEE Std 1149.1

The Spartan-6 family is fully compliant with the IEEE Std 1149.1 (TAP and boundary-scan architecture). The architecture includes all mandatory elements defined in IEEE Std 1149.1. These elements include the TAP, the TAP controller, the Instruction register, the instruction decoder, the boundary-scan register, and the BYPASS register. The Spartan-6 family also supports a 32-bit Identification register in full compliance with the standard. Outlined in the following sections are the details of the JTAG architecture for Spartan-6 devices. More details about the JTAG architecture for Spartan-6 devices can be found in [Chapter 10, Advanced JTAG Configurations](#).

Test Access Port (TAP)

The Spartan-6 FPGA TAP contains four mandatory dedicated pins as specified by the protocol in Spartan-6 devices and in typical JTAG architecture (see [Figure 10-1, page 154](#)). Three input pins and one output pin control the IEEE Std 1149.1 boundary-scan TAP controller. Optional control pins, such as Test Reset (TRST), and enable pins might be found on devices from other manufacturers. It is important to be aware of these optional signals when interfacing Xilinx devices with parts from different vendors because they might need to be driven.

The IEEE Std 1149.1 boundary-scan TAP controller is a state machine (16 states), shown in [Chapter 10, Advanced JTAG Configurations](#).

The four mandatory TAP pins are outlined in [Table 3-1](#).

Table 3-1: Spartan-6 FPGA TAP Controller Pins

Pin	Direction	Pre-Configuration Internal Pull Resistor	Description
TDI	IN	Pull-up ⁽¹⁾	Test Data In. This pin is the serial input to all JTAG instruction and data registers. The state of the TAP controller and the current instruction determine the register that is fed by the TDI pin for a specific operation. TDI has an internal resistive pull-up to provide a logic High to the system if the pin is not driven. TDI is applied into the JTAG registers on the rising edge of TCK.
TDO	Out	Pull-up ⁽¹⁾	Test Data Out. This pin is the serial output for all JTAG instruction and data registers. The state of the TAP controller and the current instruction determine the register (instruction or data) that feeds TDO for a specific operation. TDO changes state on the falling edge of TCK and is only active during the shifting of instructions or data through the device. TDO is an active driver output.
TMS	In	Pull-up ⁽¹⁾	Test Mode Select. This pin determines the sequence of states through the TAP controller on the rising edge of TCK. TMS has an internal resistive pull-up to provide a logic High if the pin is not driven.
TCK	In	Pull-up ⁽¹⁾	Test Clock. This pin is the JTAG Test Clock. TCK sequences the TAP controller and the JTAG registers in the Spartan-6 devices.

Notes:

1. All JTAG pins have internal pull-up resistors to V_{CCAUX} before configuration. These internal pull-up resistors are active, regardless of the mode selected. BitGen can be used to enable the pull-ups after configuration for all four mandatory pins. See [UG628, Command Line Tools User Guide](#) for more information.

Boundary-Scan Timing Parameters

Characterization data for some of the most commonly requested timing parameters, shown in [Figure 3-1](#), are listed in the “Configuration Switching Characteristics” table of [DS162, Spartan-6 FPGA Data Sheet: DC and Switching Characteristics](#). For more information on the configuration flow details, refer to [Chapter 10, Advanced JTAG Configurations](#).

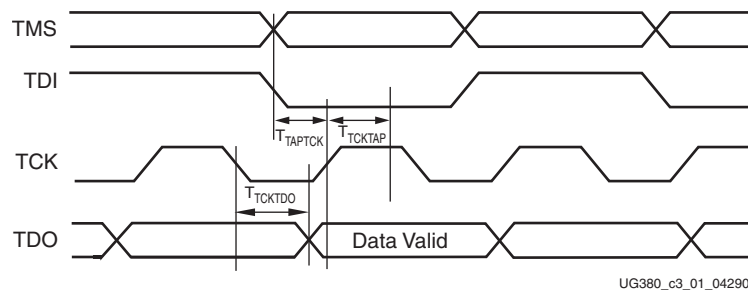
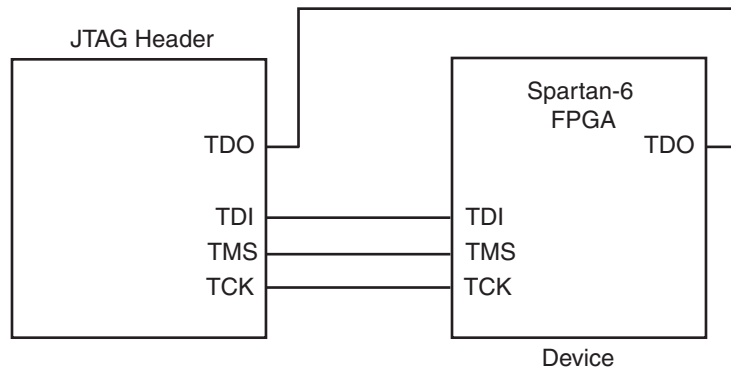


Figure 3-1: Spartan-6 FPGA Boundary-Scan Port Timing Waveforms

Using Boundary-Scan in Spartan-6 Devices

For single-device configuration, the TAP controller commands are issued automatically if the part is being configured with Xilinx® iMPACT software. The download cable must be attached to the appropriate four JTAG pins (TMS, TCK, TDI, and TDO) to deliver the bitstream automatically from the computer port to the Spartan-6 FPGA. The iMPACT software automatically checks for proper connections and drives the commands to deliver and/or verify that the configuration bits are properly managed.

Figure 3-2 shows a typical JTAG setup with the simple connection required to attach a single device to a JTAG signal header, which can be driven from a processor or a Xilinx programming cable under control of iMPACT software. TCK is the clock used for boundary-scan operations. The TDO-TDI connections create a serial datapath for shifting data through the JTAG chain. TMS controls the transition between states in the TAP controller; see Chapter 10, *Advanced JTAG Configurations*. Proper physical connections of all of these signals are essential to JTAG functionality.

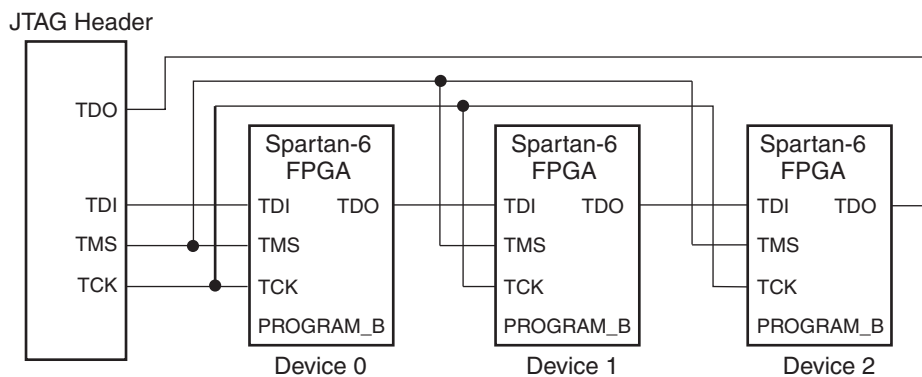


UG380_c3_02_042909

Figure 3-2: Single-Device JTAG Programming Connections

Multiple Device Configuration

It is possible to configure multiple Spartan-6 devices in a chain. (See Figure 3-3.)



UG380_c3_03_042909

Figure 3-3: Boundary-Scan Chain of Devices

If JTAG is the only configuration mode, then PROGRAM_B, INIT_B, and DONE can be tied High to a 330Ω resistor.

The devices in the JTAG chain are configured one at a time. The multiple device configuration steps can be applied to any size chain as long as an excellent signal integrity is maintained. The iMPACT software automatically discovers the devices in the chain, starting from the one nearest to TDI coming from the JTAG header and the iMPACT software.

JTAG inputs use the V_{CCAUX} supply for JTAG operations.

[Chapter 10, Advanced JTAG Configurations](#) provides a detailed description of the various TAP controller states, the JTAG instructions, and the architecture of the boundary-scan chain.

For details on the boundary-scan instructions EXTEST, INTEST, and BYPASS, refer to the IEEE Std 1149.1 and [Chapter 10, Advanced JTAG Configurations](#).

For further information on the startup sequence, bitstream, and internal configuration registers referenced here, refer to [Chapter 5, Configuration Details](#) and [Chapter 10, Advanced JTAG Configurations](#).

Design Considerations

JTAG Signal Routing

The TCK and TMS signals go to all devices in the chain; consequently, their signal quality is important. For example, TCK should transition monotonically at all receivers to ensure proper JTAG functionality and must be properly terminated. The quality of TCK can limit the maximum frequency for reliable JTAG configuration.

Additionally, if the chain is large (three devices or more), TMS and TCK should be buffered to ensure that they have sufficient drive strength at all receivers, and the voltage at logic High must be compatible with all devices in the chain.

When interfacing to devices from other manufacturers, optional JTAG signals can be present (such as TRST and enables) and might need to be driven.

Providing Power

To ensure proper power-on behavior, the guidelines in the *Spartan-6 FPGA Data Sheet: DC and Switching Characteristics* must be followed. The power supplies should ramp monotonically within the power supply ramp time range specified. All supply voltages should be within the recommended operating ranges; any dips in V_{CCINT} below V_{DRINT} or V_{CCAUX} below V_{DRAUX} can result in loss of configuration data.

V_{CCO_2} and sometimes V_{CCO_1} determine the I/O voltage for the configuration interface (SPI, Serial, BPI, and SelectMAP). V_{CCAUX} determines the I/O voltage for the JTAG configuration pins. The voltage provided must be compatible with all configuration interfaces that will be used.

Unused serial transceivers have no effect on boundary-scan functionality and need not be powered.

Configuring through Boundary-Scan

If the Spartan-6 device is configured via JTAG on power-up, any activity on the JTAG signals will override the current configuration mode setting.

The configuration flow for Spartan-6 device configuration with JTAG is discussed in the [Chapter 10, Advanced JTAG Configurations](#). This chapter includes details about the command sequences used for configuring a Spartan-6 device as a single device through boundary-scan or as part of a multiple-device boundary-scan chain. A configured device can be reconfigured by toggling the TAP and entering a CFG_IN instruction after pulsing the PROGRAM_B pin or issuing the shut-down sequence. See [Chapter 10, Advanced JTAG Configurations](#).

Xilinx has proprietary programming cables (Parallel and USB) and boundary-scan programming software (iMPACT) for prototyping purposes. These are not intended for production environments but can be highly useful for verifying FPGA implementations and JTAG chain integrity.

When trying to access other devices in the JTAG chain, it is important to know the size of the instruction register length in order to shift in the correct number of leading 1s or 0s to ensure each device receives the correct instructions. This information can be found in the BSDL file for the device, provided in the ISE® software.

One of the most common boundary-scan vendor-specific instructions is the configure instruction. If the Spartan-6 device is configured via JTAG, the configuration instructions occur independent from the mode pins. [Chapter 10, Advanced JTAG Configurations](#), details device configuration through JTAG. The Spartan-6 FPGA JTAG configuration algorithm uses the SVF-based flow, provided in [XAPP058, Xilinx In-System Programming Using an Embedded Microcontroller](#).

User Primitives

The configuration primitives described in this chapter are provided for users to access FPGA configuration resources during or after FPGA configuration. For additional information and instantiation templates, refer to [UG615](#), *Spartan-6 Libraries Guide for HDL Designs*.

BSCAN_SPARTAN6

JTAG is a standard four-pin interface: TCK, TMS, TDI, and TDO. Many applications are built around this interface. The JTAG TAP controller is a dedicated state machine inside the configuration logic. BSCAN_SPARTAN6 provides access between the JTAG TAP controller and user logic in fabric. There are up to four instances of BSCAN_SPARTAN6 for each device. Each instance of this design element can handle one JTAG USER instruction (USER1 through USER4) as set with the JTAG_CHAIN attribute. To handle all four USER instructions, four of these elements can be instantiated, and the JTAG_CHAIN attribute must be set appropriately. [Table 4-1](#) lists the BSCAN_SPARTAN6 port descriptions.

Table 4-1: BSCAN_SPARTAN6 Port Descriptions

Signal Name	Type	Function
SEL	Output	Active-High interface selection output. SEL = 1 when the JTAG instruction register holds the corresponding (USER1, USER2, USER3, or USER4) instruction. Change in Update_IR state. SEL changes on the falling edge of TCK in the UPDATE_IR state of the TAP controller.
RESET	Output	Active-High reset output. RESET = 1 during the TEST-LOGIC-RESET state, PROGRAM_B, or during power-up. This signal is deasserted on the falling edge of TCK.
TDI	Output	Fed through directly from the FPGA TDI pin.
DRCK	Output	DRCK is the same as TCK in the Capture_DR and Shift_DR states. If the interface is not selected by the instruction register, DRCK remains High.
CAPTURE	Output	Active-High pulse indicating the Capture_DR state. This signal is asserted on the falling edge of TCK.
UPDATE	Output	Active-High pulse indicating the Update_DR state. This signal is asserted on the falling edge of TCK.
SHIFT	Output	Active-High pulse indicating the Shift_DR state. This signal is asserted on the falling edge of TCK.
RUNTEST	Output	Indicates JTAG is in Run Test/Idle state.

Table 4-1: BSCAN_SPARTAN6 Port Descriptions (Cont'd)

Signal Name	Type	Function
TCK	Output	The value of the TCK input pin to the FPGA.
TMS	Output	The value of the TMS input pin to the FPGA.
TDO	Input	TDO input driven from the user fabric logic. This signal is internally sampled on the falling edge before being driven out to the FPGA TDO pin.

ICAP_SPARTAN6

The ICAP_SPARTAN6 primitive works the same way as the SelectMAP configuration interface except it is on the fabric side, and ICAP has a separate read/write bus, as opposed to the bidirectional bus in SelectMAP. ICAP also only supports x16 data width. The general SelectMAP timing diagrams and the SelectMAP bitstream ordering information, as described in [SelectMAP Configuration Interface, page 30](#), are also applicable to ICAP. It allows the user to access configuration registers and readback configuration data after configuration is done.

ICAP data width is 16 bits for both input and output.

Table 4-2: ICAP_SPARTAN6 Port Descriptions

Signal	Type	Function
CLK	Input	ICAP interface clock.
CE	Input	Active-Low ICAP interface select. Equivalent to CSI_B in the SelectMAP interface.
WRITE	Input	Read/Write control input. 0 = WRITE, 1 = READ. Equivalent to the RDWR_B signal in the SelectMAP interface.
I[15:0]	Input	16-bit-wide ICAP write data bus. The bit ordering is identical to the SelectMAP interface. See SelectMAP Data Ordering, page 39 .
O[15:0]	Output	16-bit-wide ICAP read data bus. The bit ordering is identical to the SelectMAP interface. See SelectMAP Data Ordering in SelectMAP Data Ordering, page 39 .
BUSY	Output	Active-High busy status. Only used in read operations. BUSY remains Low during writes.

STARTUP_SPARTAN6

The STARTUP_SPARTAN6 primitive provides a fabric interface to allow users to control some of global signals after configuration.

Table 4-3: STARTUP_SPARTAN6 Port Description

Signal Name	Type	Function
EOS	Output	Active-High. Absolute end of startup.
CLK	Input	User startup clock.
GSR	Input	Active-High global set/reset signal. When this input is asserted, all flip-flops are restored to their initial value in the bitstream.
KEYCLEARB	Input	Clear the battery-backed RAM key when it is set. This signal needs to stay Low for 200 ns (four clock cycles) to enable KEYCLEAR function.
GTS	Input	Active-High global 3-state signal. When this input is asserted, all user I/Os are 3-stated.
CFGMCLK	Output	Configuration internal oscillator clock output of approximately 50 MHz that can be used as a generic clock source instead of a ring oscillator in the FPGA logic. If this port is not connected in the design, the oscillator is disabled.
CFGCLK	Output	Configuration logic main clock output. This signal outputs the clock associated with the current configuration mode. If the FPGA is in a Slave configuration mode, the clock source is CCLK. If the FPGA is in a Master configuration mode, the clock source is the internal oscillator frequency (as defined by the BitGen option -g ConfigRate). Use the BitGen Persist option to maintain this signal after configuration.

DNA_PORT

The DNA_PORT provides access to a dedicated shift register, which can be loaded with the Device DNA data bits (unique ID) for a given Spartan®-6 device. In addition to shifting out the DNA data bits, this component allows for the inclusion of supplemental data bits for additional user data or allow for the DNA data to rollover (repeat DNA data after initial data has been shifted out). This component is primarily used in conjunction with other circuitry to build anti-cloning protection for the FPGA bitstream from possible theft.

The DNA_PORT component must be instantiated to be used in a design. The instantiation template is found within the ISE® software. Project Navigator HDL templates. The instance declaration must be placed within the code. All inputs and outputs must be connected to the design to ensure proper operation.

To access the Device DNA data, the shift register must first be loaded by setting the active-High READ signal for one clock cycle. After the shift register is loaded, the data can be synchronously shifted out by enabling the active-High SHIFT input and capturing the data from the DOUT output port. If desired, additional data can be appended to the end of the 57-bit shift register by connecting the appropriate logic to the DIN port. If DNA data

rollover is desired, the DOUT port can be connected directly to the DIN port to allow for the same data to be shifted out after completing the 57-bit shift operation. If no additional data is necessary, the DIN port can be tied to a logic zero. The attribute `SIM_DNA_VALUE` can optionally be set to allow for simulation of a possible DNA data sequence. By default, the Device DNA data bits are all zeros in the simulation model.

Table 4-4: **DNA_PORT Port Descriptions**

Signal Name	Direction	Function
DOUT	Output	Serial-shifted output data.
DIN	Input	User data input to the shift register.
READ	Input	Synchronous load of the shift register with the Device DNA data. A READ operation overrides a SHIFT operation.
SHIFT	Input	Active-High shift enable input.
CLK	Input	Input clock to the shift register.

Table 4-5: **DNA_PORT Attribute**

Attribute	Type	Allowed Values	Default	Description
<code>SIM_DNA_VALUE</code>	57-bit vector	57 'b0, any 57-bit value	All zeros	Specifies a DNA value for simulation purposes (the actual value is specific to the particular device used).

SUSPEND_SYNC

The `SUSPEND` primitive extends the capabilities of the user to synchronize the design for applications using the suspend mode. It uses a three-pin interface to allow synchronization of the trigger to start the suspend mode, even when there are several clock domains requiring synchronization. The three signals are: `SREQ`, `SACK`, and `CLK`.

`SREQ` outputs a request to the fabric to begin a suspend mode. `SACK` acknowledges that the fabric is ready to start the suspend mode. The `SACK` pin is synchronous to the `CLK` pin.

Table 4-6: **SUSPEND Port Description**

Signal Name	Direction	Function
CLK	Input	User clock.
SACK	Input	SUSPEND Acknowledgement; synchronous to CLK.
SREQ	Output	Suspend request from SUSPEND pin.

POST_CRC_INTERNAL

POST_CRC_INTERNAL provides fabric access to the post-CRC error.

Table 4-7: **POST_CRC_INTERNAL Port Description**

Signal Name	Direction	Function
CRCERROR	Output	Post-configuration error. High when an error is detected.

Configuration Details

Configuration Pins

Certain pins are dedicated to configuration (Table 5-1), while others are dual-purpose (Table 5-3). Dual-purpose pins serve both as configuration pins and as user I/Os after configuration. Dedicated configuration pins retain their function after configuration.

Configuration constraints can be selected when generating the Spartan®-6 device bitstream. Certain configuration operations can be affected by these constraints. For a description of the available constraints, see the software constraints guide.

Table 5-1: Spartan-6 FPGA Dedicated Configuration Pins

Pin Name	Type ⁽¹⁾	Description
DONE	Bidirectional, Open-Drain, or Active	Active High signal with programmable pull-up indicating configuration is complete. 0 = FPGA not configured 1 = FPGA configured Refer to the BitGen section of UG628, Command Line Tools User Guide , for software settings.
PROGRAM_B ^(2, 3)	Input	Active Low signal with programmable pull-up, asynchronous full-chip reset.
TDI	Input	Test Data In. This pin is the serial input to all JTAG instruction and data registers. The state of the TAP controller and the current instruction determine the register that is fed by the TDI pin for a specific operation. TDI has an internal resistive pull-up to provide a logic High to the system if the pin is not driven. TDI is applied into the JTAG registers on the rising edge of TCK.
TDO	Output	Test Data Out. This pin is the serial output for all JTAG instruction and data registers. The state of the TAP controller and the current instruction determine the register (instruction or data) that feeds TDO for a specific operation. TDO changes state on the falling edge of TCK and is only active during the shifting of instructions or data through the device. TDO is an active driver output.
TMS	Input	Test Mode Select. This pin determines the sequence of states through the JTAG TAP controller on the rising edge of TCK. TMS has an internal resistive pull-up to provide a logic High if the pin is not driven.
TCK	Input	Test Clock. This pin is the JTAG Test Clock. TCK sequences the TAP controller and the JTAG registers.
SUSPEND ⁽³⁾	Input	Suspend Mode. Used to put the FPGA into suspend mode. The SUSPEND pin should be Low during power up and configuration. If the Suspend feature is not used, the SUSPEND pin must be connected to ground.
V _{FS}	Input	Voltage source for eFUSE programming. ⁽⁴⁾
V _{BATT}	Input	Battery supply voltage for AES encryption key storage in SRAM. ⁽⁴⁾

Table 5-1: Spartan-6 FPGA Dedicated Configuration Pins (Cont'd)

Pin Name	Type ⁽¹⁾	Description
RFUSE	Input	Pulldown for eFUSE programming. ⁽⁴⁾
CMPCS_B	Reserved	Leave unconnected or pull up.

Notes:

1. The *Bidirectional* type describes a pin that is bidirectional under all conditions. If the pin is an input for some configuration modes or an output for others, it is listed as an *Input* or *Output* type. For termination settings of configuration pins, see [Table 5-2](#).
2. Pulsing PROGRAM_B does not reset the JTAG TAP state machine.
3. All JTAG pins and the SUSPEND pin are powered by V_{CCAUX}; DONE and PROGRAM_B are powered by VCCO_2 supplies.
4. Only available in 6SLX75, 6SLX75T, 6SLX100, 6SLX100T, 6SLX150, and 6SLX150T devices. For more information on eFUSE programming, refer to [eFUSE](#), page 88.

FPGA I/O Pin Settings During Configuration

Some of the FPGA pins used during configuration have dedicated pull-up resistors during configuration. However, all user I/O pins have optional pull-up resistors that can be enabled during the configuration process (initializing and programming). During configuration, a single control line determines whether the pull-up resistors are enabled or disabled. The pin name is HSWAPEN (see [Table 5-2](#)).

Table 5-2: Spartan-6 FPGA Configuration Pin Termination

Pin	Pre-Configuration		Post-Configuration
	HSWAPEN = 0 (enabled)	HSWAPEN = 1 (disabled)	
CCLK	Pull-up to VCCO_2	No termination	User I/O
D15-D0	Pull-up to VCCO_2	No termination	User I/O
CSO_B	Pull-up to VCCO_2	No termination	User I/O
A25-A0 ⁽¹⁾	Pull-up to VCCO_1	No termination	User I/O
SCP7-SCP0	Pull-up to VCCO_0	No termination	User I/O
DOUT/BUSY	Pull-up to VCCO_1	No termination	User I/O
HSWAPEN	Pull-up to VCCO_0	Pull-up to VCCO_0	User I/O
PROGRAM_B	Pull-up to VCCO_2	Pull-up to VCCO_2	BitGen -g ProgPin ⁽²⁾
DONE	Pull-up to VCCO_2	Pull-up to VCCO_2	BitGen -g DonePin ⁽²⁾ -g DriveDone
INIT_B	Pull-up to VCCO_2	Pull-up to VCCO_2	User I/O
TDI	Pull-up to V _{CCAUX}	Pull-up to V _{CCAUX}	BitGen -g TdiPin ⁽²⁾
TMS	Pull-up to V _{CCAUX}	Pull-up to V _{CCAUX}	BitGen -g TmsPin ⁽²⁾
TCK	Pull-up to V _{CCAUX}	Pull-up to V _{CCAUX}	BitGen -g TckPin ⁽²⁾
TDO	Pull-up to V _{CCAUX}	Pull-up to V _{CCAUX}	BitGen -g TdoPin ⁽²⁾
M1, M0	Pull-up to VCCO_2	Pull-up to VCCO_2	User I/O
FCS_B	Pull-up to VCCO_1	No termination	User I/O
FOE_B	Pull-up to VCCO_1	No termination	User I/O

Table 5-2: Spartan-6 FPGA Configuration Pin Termination (Cont'd)

Pin	Pre-Configuration		Post-Configuration
	HSWAPEN = 0 (enabled)	HSWAPEN = 1 (disabled)	
FWE_B	Pull-up to VCCO_1	No termination	User I/O
MOSI/CSI_B	Pull-up to VCCO_2	No termination	User I/O
RDWR_B	Pull-up to VCCO_2	No termination	User I/O
AWAKE	Pull-up to VCCO_1	No termination	User I/O if Suspend feature is not used ⁽⁴⁾
SUSPEND	Pull-up to VCCAUX	No termination	SUSPEND pin ⁽³⁾⁽⁴⁾
HDC	Pull-up to VCCO_1	No termination	User I/O
LDC	Pull-up to VCCO_1	No termination	User I/O
USERCCLK	Pull-up to VCCO_2	No termination	User I/O
Other I/O (not used during configuration)	Pull-up to VCCO	No termination	User I/O

Notes:

1. A24/A25 are in bank 5 in the 6SLX75/T devices and larger densities and in FG676 and larger packages. Then the pull-up is to VCCO_5.
2. Setting the BitGen options configures the termination on the respective pin. Not setting an option defaults to Pull-up. Refer to the BitGen section of [UG628, Command Line Tools User Guide](#), for software settings.
3. The SUSPEND pin must be Low during power-up. Connection of an external pull-down resistor ensures this condition.
4. For more details on the Suspend feature, refer to [UG394, Spartan-6 FPGA Power Management User Guide](#).

Floating signal levels are problematic in CMOS logic systems. Other logic components in the system can require a valid input level from the FPGA. The internal pull-up resistors generate a logic High level on each pin. Generally, a device driving signals into the FPGA can overcome the pull-up resistor. Similarly, an individual pin can be pulled down using an appropriately sized external pull-down resistor.

In hot-swap or hot-insertion applications, the pull-up resistors provide a potential current path to the I/O power rail. Turning off the pull-up resistors disables this potential path. However, then external pull-up or pull-down resistors can be required on each individual I/O pin.

Reserving Dual-Purpose Configuration Pins (Persist)

Dual-purpose pins serve as configuration pins and user I/Os after configuration. The BitGen option **-g Persist** is used to reserve these pins as configuration pins (see [Table 5-3](#) for the settings).

Table 5-3: Dual-Purpose Configuration Pin Settings

Pin Name	Bank	SelectMAP	BPI	SPI/Serial
DIN/D0/MISO/MISO[1]	2	Persist	No	Persist
D1/MISO2	2	Persist	No	No
D2/MISO3	2	Persist	No	No
D[15:3]	2	Persist ⁽¹⁾	No	No

Table 5-3: Dual-Purpose Configuration Pin Settings (Cont'd)

Pin Name	Bank	SelectMAP	BPI	SPI/Serial
DOUT	1	Persist	No	Persist
INIT_B ⁽²⁾	2	Persist ⁽²⁾	No ⁽²⁾	Persist ⁽²⁾
RDWR_B	2	Persist	No	No
M0	2	No	No	No
M1	2	No	No	No
HSWAPEN	0	No	No	No
CCLK	2	Persist	No	Persist
GCLK0/USERCCLK	2	No	No	No
CSO_B	2	No	No	No
MOSI/MISO0/CSI_B	2	Persist	No	No
AWAKE ⁽³⁾	1	No	No	No
A[25:0] ⁽⁴⁾	1	No	No	No
SCP[7:0] ⁽³⁾	0	No	No	No
FCS_B	1	No	No	No
FOE_B	1	No	No	No
FWE_B	1	No	No	No
HDC	1	No	No	No
LDC	1	No	No	No

Notes:

1. All 16 data pins are persisted regardless of whether the SelectMAP data width is x8 or x16.
2. INIT_B is persisted if readback CRC is enabled, regardless of the POST_CRC_INIT_FLAG setting.
3. AWAKE and SCP[7:0] are activated based on the suspend setting.
4. A24 and A25 are in bank 5 in larger devices with 6 or more I/O banks.

Configuration Data File Formats

Xilinx design tools can generate configuration data files in a number of different formats, as described in [Table 5-4](#). BitGen converts the post-PAR NCD file into a configuration file or a bitstream. PROMGen, the PROM file generator, converts one or more bitstream files into a PROM file. PROM files can be generated in a number of different file formats and does not need to be used with a PROM. They can be stored anywhere and delivered by any means.

Table 5-4: Configuration File Formats

File Extension	Bit Swapping ⁽¹⁾	Xilinx Software Tool ⁽²⁾	Description
BIT	Not Bit Swapped	BitGen (generated by default)	Binary configuration data file containing header information that does not need to be downloaded to the FPGA. Used to program devices from iMPACT software with a programming cable.
RBT	Not Bit Swapped	BitGen (generated if -b option is set)	ASCII equivalent of the BIT file containing a text header and ASCII 1s and 0s. (Eight bits per configuration bit.)
BIN	Not Bit Swapped	BitGen (generated if -g Binary:yes option is set) or PROMGen	Binary configuration data file with no header information. Similar to BIT file. Can be used for custom configuration solutions (for example, microprocessors), or in some cases to program third-party PROMs.
MCS EXO	Bit Swapped	PROMGen or iMPACT software	ASCII PROM file formats containing address and checksum information in addition to configuration data. Used mainly for device programmers and iMPACT software.
HEX	Determined by User	PROMGen or iMPACT software	ASCII PROM file format containing only configuration data. Used mainly in custom configuration solutions.
CFI	N/A	PROMGen or iMPACT software	Data file used by iMPACT software to determine PROM options to set such as x2 and x4 data width or version control.

Notes:

1. Bit swapping is discussed in the [Bit Swapping](#) section.
2. For complete BitGen and PROMGen syntax, refer to [UG628](#), *Command Line Tools User Guide*.

Bitstream Overview

The Spartan-6 FPGA bitstream contains commands to the FPGA configuration logic as well as configuration data. [Table 5-5](#) gives a typical bitstream length for each of the Spartan-6 devices.

Table 5-5: Spartan-6 FPGA Bitstream Length

Device	Total Number of Configuration Bits ⁽¹⁾
6SLX4	2,731,488
6SLX9	2,742,528
6SLX16	3,731,264
6SLX25	6,440,432
6SLX25T	6,440,432
6SLX45	11,939,296
6SLX45T	11,939,296
6SLX75	19,719,712
6SLX75T	19,719,712
6SLX100	26,691,232
6SLX100T	26,691,232

Table 5-5: Spartan-6 FPGA Bitstream Length (Cont'd)

Device	Total Number of Configuration Bits ⁽¹⁾
6SLX150	33,909,664
6SLX150T	33,909,664

Notes:

1. The bitstream length represents the typical cases. Certain BitGen options can vary the bitstream length, such as **Compress**. The x2 and x4 SPI configuration modes require additional commands and will increase the bitstream length.
2. Bitstream lengths might appear to increase after the ISE tools, version 13.2. This is due to a software change that affects designs containing 9K block RAMs. For more information on this change, refer to the Block RAM Initialization section of [UG383](#), *Spartan-6 FPGA Block RAM User Guide*.

A Spartan-6 FPGA bitstream consists of two sections:

- [Sync Word/Bus Width Auto Detection](#)
- FPGA configuration

Sync Word/Bus Width Auto Detection

For parallel configuration modes, the bus width is auto-detected by the configuration logic. A bus-width detection pattern uses the sync word. The configuration logic checks the data received on the parallel bus. Depending on the byte sequence received, the configuration logic can automatically switch to the appropriate external bus width. [Table 5-6](#) shows an example bitstream in x16 mode. When observing the pattern on the FPGA data pin, the bits are bit swapped, as described in [Parallel Bus Bit Order](#), page 76.

Table 5-6: Bus-Width Detection Pattern for x16 Data

D[8:15]	D[0:7]	Comments
0xFF	0xFF	Pad word
0xFF	0xFF	Pad word
0xAA	0x99	Sync word
0x55	0x66	Sync word
...

Bus-width auto detection is transparent to most users.

For the x8 bus, the configuration bus-width detection logic first finds 0xAA on the D[0:7] pins, followed by 0x99. The logic then finds 0x55, and if 0x66 is found the next cycle, then the device will continue in x8 mode. For the x16 bus, the configuration bus-width detection logic checks the first byte to find 0x99 on D[0:7], followed by 0x66 the next clock cycle because the rest of the sync word is on the upper bits. The device then continues on in x16 mode. The FPGA now knows on which bus width to receive the rest of the data. No packet processed by the FPGA until the Sync word is found. See [Table 5-7](#).

Table 5-7: Sync Word

31:24	23:16	15:8	7:0
0xAA	0x99	0x55	0x66

Generating PROM Files

PROM files are generated from bitstream files with the PROMGen utility. Users can access PROMGen directly from the command line or indirectly through the iMPACT File Generation Mode. For PROMGen syntax, refer to [UG628, Command Line Tools User Guide](#). For information on iMPACT software, refer to the ISE® software documentation. PROM files serve to reformat bitstream files for PROM programming and combine bitstream files for serial daisy-chains (see [PROM Files for Serial Daisy-Chains](#)).

PROM Files for Serial Daisy-Chains

Configuration data for serial daisy-chains requires special formatting because separate BIT files cannot simply be concatenated together to program the daisy-chain. The special formatting is performed by PROMGen (or iMPACT software) when generating a PROM file from multiple bitstreams. To generate the PROM file, specify multiple bitstreams using the PROMGen **-n**, **-u**, and **-d** options or the iMPACT Software File Generation Wizard. Refer to ISE software documentation for details.

PROMGen reformats the configuration bitstreams by nesting downstream configuration data into configuration packets for upstream devices. Attempting to program the chain by sending multiple bitstreams to the first device causes the first device to configure and then ignore the subsequent data.

PROM Files for SelectMAP Configuration

The MCS file format is most commonly used to program Xilinx® configuration PROMs that in turn program a single FPGA in SelectMAP mode. For custom configuration solutions, the BIN and HEX files are the easiest PROM file formats to use due to their *raw* data format. In some cases, additional formatting is required; refer to [XAPP502, Using a Microprocessor to Configure Xilinx FPGAs via Slave Serial or SelectMAP Mode](#) for details.

If multiple configuration bitstreams for a SelectMAP configuration reside on a single memory device, the bitstreams must not be combined into a serial daisy-chain PROM file. Instead, the target memory device should be programmed with multiple BIN or HEX files. If a single PROM file with multiple, separate data streams is needed, one can be generated in iMPACT software by targeting a *Parallel PROM*, then selecting the appropriate number of data streams. This can also be accomplished through the PROMGen command line. Refer to PROMGen software documentation for details.

PROM Files for SPI/BPI Configuration

The **-d**, **-u**, **-spi**, **-s**, and **-data_width** options in PROMGen or the iMPACT Software File Generation Wizard are used to create PROM files for third-party flash devices. The output format supported by the third-party programmer is important. Some BPI devices require endian-swapping to be enabled when programming the PROM file. Refer to the flash vendor's documentation.

Bit Swapping

Bit swapping is the swapping of the bits within a byte. The MCS, EXO, and TEK PROM file formats are always bit swapped. The HEX file format can be bit swapped or not bit swapped, depending on user options. The bitstream files (BIT, RBT, and BIN) are never bit swapped.

The HEX file format contains only configuration data. The other PROM file formats include address and checksum information that should not be sent to the FPGA. The address and checksum information is used by some third-party device programmers, but it is not programmed into the PROM.

Figure 5-1 shows how two bytes of data (0xABCD) are bit swapped.

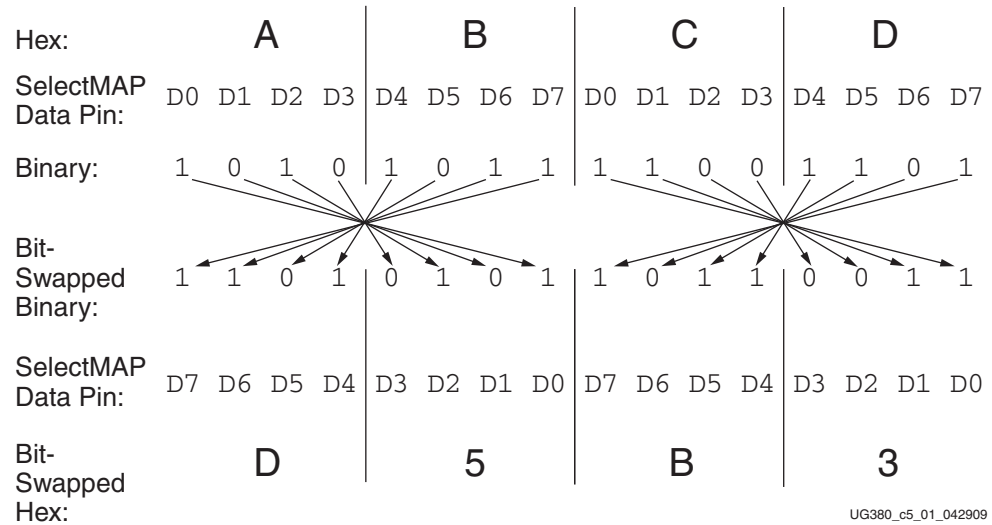


Figure 5-1: Bit Swapping Example

The MSB of each byte goes to the D0 pin regardless of the orientation of the data:

- In the bit-swapped version of the data, the bit that goes to D0 is the right-most bit.
- In the non-bit-swapped data, the bit that goes to D0 is the left-most bit.

Whether or not data must be bit swapped is entirely application-dependent. Bit swapping is applicable for Master Serial, Master SelectMAP, or BPI PROM files.

Parallel Bus Bit Order

Traditionally, in SelectMAP x8 mode, configuration data is loaded one byte per CCLK, with the most-significant bit (MSB) of each byte presented to the D0 pin. Although this convention (D0 = MSB, D7 = LSB) differs from many other devices, it is consistent across all Xilinx FPGAs. The bit-swap rule also applies to Spartan-6 FPGA BPI x8 modes (see [Bit Swapping](#), page 75).

In Spartan-6 devices, the bit-swap rule is extended to x16 bus widths; the data is bit swapped within each byte.

Table 5-8 and Table 5-9 show examples of a sync word inside a bitstream. These examples illustrate what is expected at the FPGA data pins when using parallel configuration modes, such as Slave SelectMAP and Master SelectMAP (BPI) modes.

Table 5-8: Sync Word Bit Swap Example

Sync Word	[31:24] ⁽¹⁾	[23:16]	[15:8]	[7:0]
Bitstream Format	0xAA	0x99	0x55	0x66

Table 5-8: Sync Word Bit Swap Example (Cont'd)

Sync Word	[31:24] ⁽¹⁾	[23:16]	[15:8]	[7:0]
Bit Swapped	0x55	0x99	0xAA	0x66

Notes:

- [31:24] changes from 0xAA to 0x55 after bit swapping.

Table 5-9: Sync Word Data Sequence Example for x8 and x16 Modes

CCLK Cycle	1	2	3	4
D[7:0] pins for x8	0x55	0x99	0xAA	0x66
D[15:0] pins for x16	0x5599	0xAA66		

Delaying Configuration

There are two ways to delay configuration for Spartan-6 devices:

- Hold the INIT_B pin Low during initialization. When INIT_B has gone High, configuration cannot be delayed by subsequently pulling INIT_B Low.
- Hold the PROGRAM_B pin Low. The signals relating to initialization and delaying configuration are defined in Table 5-10.

Table 5-10: Signals Relating to Initialization and Delaying Configuration

Signal Name	Type	Access ⁽¹⁾	Description
PROGRAM_B	Input	Externally accessible via the PROGRAM_B pin.	Global asynchronous chip reset. Can be held Low to delay configuration.
INIT_B	Input, Output, or Open Drain	Externally accessible via the INIT_B pin.	Before the Mode pins are sampled, INIT_B is an input that can be held Low to delay configuration. After the Mode pins are sampled, INIT_B is an open-drain, active-Low output that indicates whether a CRC error occurred during configuration or a readback CRC error occurred after configuration (when enabled): 0 = CRC error 1 = No CRC error (needs an external pull-up)
MODE_STATUS[1:0]	Status	Internal signals, accessible through the Spartan-6 FPGA status register.	Reflects the direct pin value of the Mode pins.

Notes:

- Information on the Spartan-6 FPGA status register is available in Table 5-38, page 101. Information on accessing the device status register via JTAG is available in Table 6-5, page 117. Information on accessing the device status register via SelectMAP is available in Table 6-1.
- The Status type is an internal status signal without a corresponding pin.

Configuration Sequence

While each of the configuration interfaces is different, the basic steps for configuring a Spartan-6 device are the same for all modes. Figure 5-2 shows the Spartan-6 FPGA configuration process. The following subsections describe each step in detail, where the current step is highlighted in gray at the beginning of each subsection.

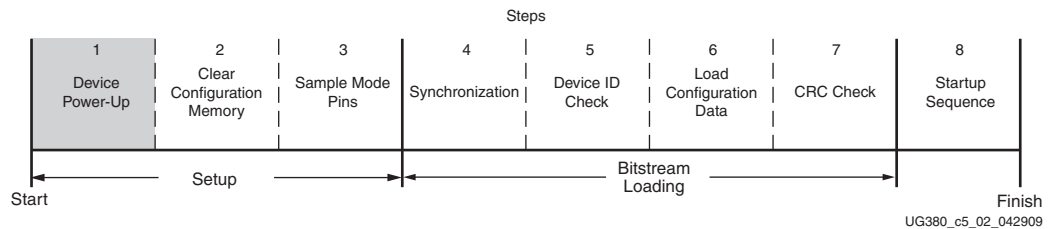


Figure 5-2: Spartan-6 FPGA Configuration Process

The Spartan-6 device is initialized and the configuration mode is determined by sampling the mode pins in three setup steps.

Setup (Steps 1-3)

The setup process is similar for all configuration modes (see Figure 5-3).

The setup steps are critical for proper device configuration. The steps include Device Power-Up, Clear Configuration Memory, and Sample Mode Pins.

Device Power-Up (Step 1)

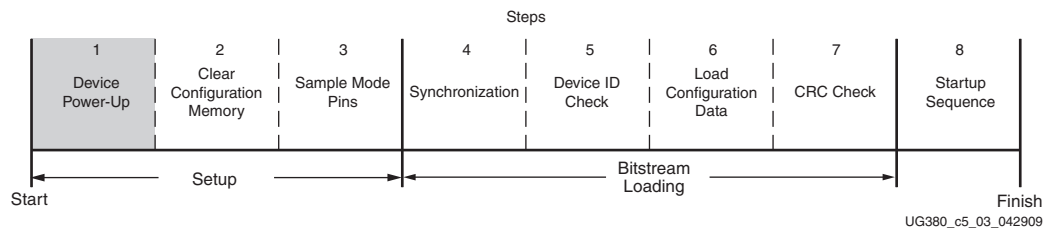


Figure 5-3: Device Power-Up (Step 1)

For configuration, Spartan-6 devices require power on the VCCO_2, VCCAUX, and VCCINT pins. There are no power-supply sequencing requirements.

All JTAG and serial configuration pins are located in VCCAUX and VCCO_2 supply banks. The dual-purpose pins are located in Banks 0, 1, and 2 (one exception is A24 and A25 are in bank 5 for larger devices with 6 I/O banks). The DONE and PROGRAM_B dedicated inputs operate at the VCCO_2 LVCMOS level, and the JTAG input pins (TCK, TMS, and TDI) and the SUSPEND pin operate at the VCCAUX LVCMOS level. The DONE pin operates at the VCCO_2 voltage level with the output standard set to LVCMOS 8 mA SLOW. TDO drives at the voltage level provided on VCCAUX.

For all modes that use dual-purpose I/O, the associated VCCO_X must be connected to the appropriate voltage to match the I/O standard of the configuration device. The pins are also LVCMOS18, LVCMOS25, or LVCMOS33 8 mA SLOW during configuration, depending on the VCCO_X level.

For power-up, the V_{CCINT} power pins must be supplied with 1.2V for -2/-3 speed grades and 1.0V for -1L sources. V_{CCO_2} must be supplied. Table 5-11 shows the power supplies required for configuration. Table 5-12 shows the timing for power-up.

Table 5-11: Power Supplies Required for Configuration

Pin Name ⁽¹⁾	Description
V_{CCINT}	Internal core voltage.
V_{BATT} ⁽²⁾	Encryption Key battery supply. If there is no encryption key being stored in the volatile memory, V_{BATT} should be connected to V_{CCAUX} or GND, or left unconnected.
V_{FS}	Encryption Key eFUSE programming voltage. If eFUSE programming is not needed, connect V_{FS} to V_{CC} or GND (recommended).
V_{CCAUX} ⁽³⁾	Auxiliary power input for configuration logic and other FPGA functions.
V_{CCO_0} V_{CCO_1} V_{CCO_2} ⁽⁴⁾ V_{CCO_5} ⁽⁵⁾	Dual-purpose configuration pin output supply voltage. V_{CCO_2} cannot be 1.2V or 1.5V during configuration.

Notes:

1. For recommended operating values, refer to [DS162](#), *Spartan-6 FPGA Data Sheet: DC and Switching Characteristics*.
2. V_{BATT} or V_{FS} are required only when using bitstream encryption and are only supported in Spartan-6 LX75, LX75T, LX100, LX100T, LX150, and LX150T devices.
3. V_{CCAUX} must be greater than or equal to V_{FS} during eFUSE programming. This requirement is not necessary for configuration.
4. If V_{CCO_2} is 1.8V, V_{CCAUX} must be 2.5V. If V_{CCO_2} is 2.5V or 3.3V, V_{CCAUX} can be either 2.5V or 3.3V.
5. V_{CCO_5} might be needed if BPI configuration mode is used and A24 and A25 are in I/O Bank 5.

Table 5-12: Power-Up Timing

Description	Symbol
Program Latency	T_{PL}
Power-on Reset (POR)	T_{POR}
CCLK Output Delay	$T_{BPIICCK}$ or $T_{SPIICCK}$ ⁽²⁾
Program Pulse Width	$T_{PROGRAM}$

Notes:

1. See Configuration Switching Characteristics in [DS162](#), *Spartan-6 FPGA Data Sheet: DC and Switching Characteristics*, for power-up timing characteristics.
2. Use $T_{BPIICCK}$ for the Master Select MAP and BPI configuration interfaces, and $T_{SPIICCK}$ for Master Serial and SPI configuration interfaces.

Figure 5-4 shows the power-up waveforms.

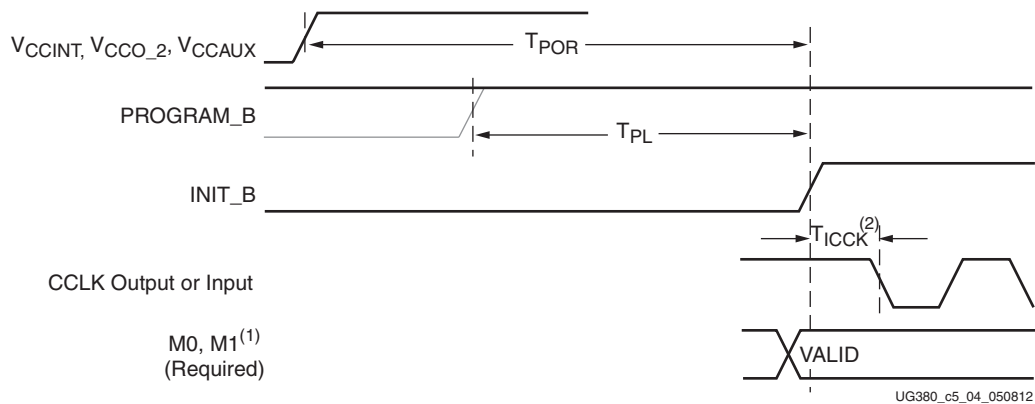


Figure 5-4: Device Power-Up Timing

Notes relevant to Figure 5-4:

1. M0, M1 can be either 0 or 1, but must not toggle during and after the INIT rising edge.
2. T_{ICCK} is either $T_{SPIICCK}$ or $T_{BPIICCK}$ depending on whether the master SPI or BPI configuration modes is used. In slave configuration modes, this is an input pin.

V_{CCINT} , V_{CCO_2} , and V_{CCAUX} should rise monotonically within the specified ramp rate. If this is not possible, configuration must be delayed by holding the INIT_B pin or the PROGRAM_B pin Low (see [Delaying Configuration, page 77](#)) while the system power reaches the recommended operating voltage.

V_{CCO_2} , V_{CCAUX} , and V_{CCINT} are inputs to Power On Reset (POR). If either V_{CCAUX} or V_{CCINT} dips below the operating minimum, POR might trigger again.

Clear Configuration Memory (Step 2, Initialization)

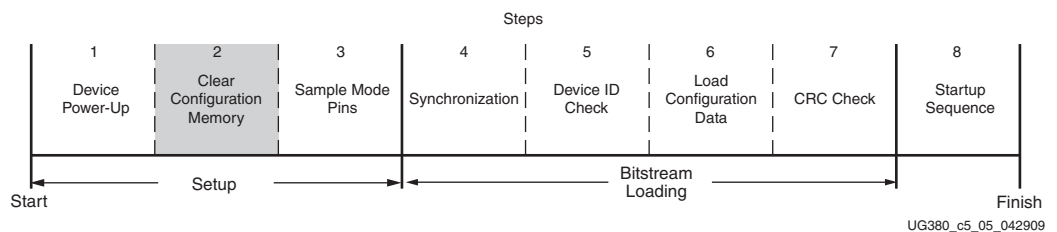


Figure 5-5: Initialization (Step 2)

Configuration memory is cleared sequentially any time the device is powered up, after the PROGRAM_B pin is pulsed Low, after the JTAG JPROGRAM instruction or the IPROGRAM command is used, or during a fallback retry configuration sequence. During this time, I/Os are placed in a High-Z state except for the dedicated configuration and JTAG pins. INIT_B is internally driven Low during initialization, then released after T_{POR} (Figure 5-4) for the power-up case, and T_{PL} for other cases. If the INIT_B pin is held Low externally, the device waits at this point in the initialization process until the pin is released.

The minimum Low pulse time for PROGRAM_B is defined by the $T_{PROGRAM}$ timing parameter. The PROGRAM_B pin can be held active (Low) for as long as necessary, and the device clears the configuration memory twice after PROGRAM_B is released.

Sample Mode Pins (Step 3)

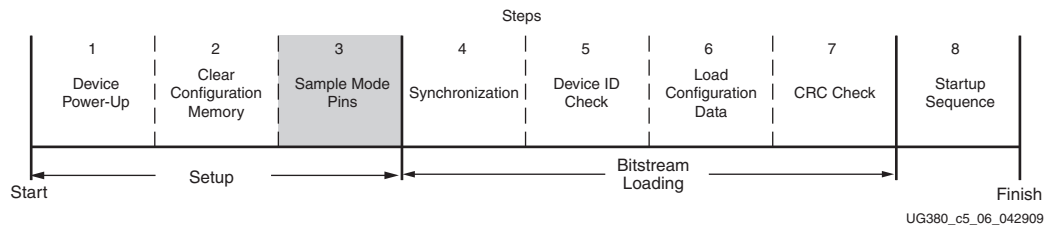


Figure 5-6: Sample Mode Pins (Step 3)

When the INIT_B pin transitions to High, the device samples the M[1:0] and begins driving CCLK if in the Master modes. The device begins sampling the configuration data input pins on the rising edge of the configuration clock.

Bitstream Loading (Steps 4-7)

The bitstream loading process is similar for all configuration modes; the primary difference between modes is the interface to the configuration logic. Details on the different configuration interfaces are provided in [Chapter 2, Configuration Interface Basics](#).

Synchronization (Step 4)

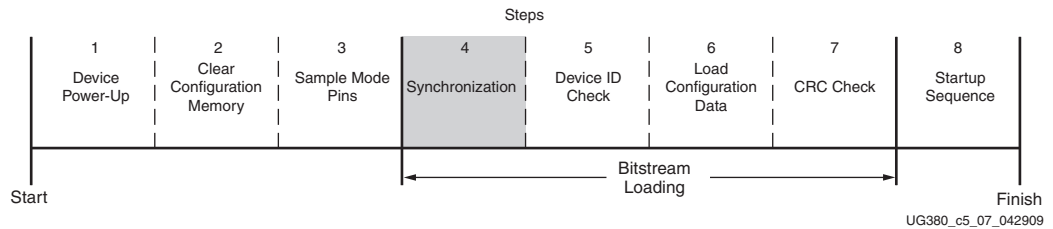


Figure 5-7: Synchronization (Step 4)

The synchronization word alerts the device to upcoming configuration data and aligns the configuration data with the internal configuration logic. Any data on the configuration input pins prior to synchronization is ignored.

Synchronization is transparent to most users because all configuration bitstreams (BIT files) generated by the BitGen software include both the bus width detection pattern/synchronization word.

Check Device ID (Step 5)

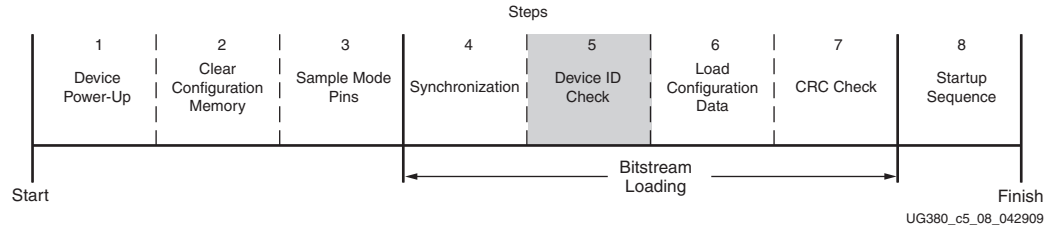


Figure 5-8: Check Device ID (Step 5)

After the device is synchronized, a device ID check must pass before the configuration data frames can be loaded. This prevents a configuration with a bitstream that is formatted for a different device. For example, the device ID check should prevent an XC6SLX4 from being configured with an XC6SLX9 bitstream.

The device ID check is built into the bitstream, making this step transparent to most designers. Table 5-14 shows the signals relating to the device ID check. The device ID check is performed through commands in the bitstream to the configuration logic, not through the JTAG IDCODE register in this case.

The Spartan-6 FPGA JTAG IDCODE register has the following format:

```
vvvv:ffffff:aaaaaaaa:cccccccc1
```

where

v = revision

f = 7-bit family code

a = 9-bit array code (4-bit subfamily and 5-bit device identifier)

c = 11-bit company code

Table 5-13: ID Codes

Device	ID Code (Hex)
6SLX4	0xX4000093
6SLX9	0xX4001093
6SLX16	0xX4002093
6SLX25	0xX4004093
6SLX25T	0xX4024093
6SLX45	0xX4008093
6SLX45T	0xX4028093
6SLX75	0xX400E093
6SLX75T	0xX402E093
6SLX100	0xX4011093
6SLX100T	0xX4031093
6SLX150	0xX401D093

Table 5-13: ID Codes (Cont'd)

Device	ID Code (Hex)
6SLX150T	0xX403D093

Notes:

- The X digit in the ID code corresponding to the four binary revision bits are not used by the programming tools when performing IDCODE verification.

Table 5-14: Signals Relating to the Device ID Check

Signal Name	Type	Access ⁽¹⁾	Description
ID_Error	Status	Internal signal. Accessed only through the Spartan-6 FPGA status register.	Indicates a mismatch between the device ID specified in the bitstream and the actual device ID.

Notes:

- Information on the Spartan-6 FPGA status register is available in Table 5-35. Information on accessing the device status register via JTAG is available in Table 6-5. Information on accessing the device status register via SelectMAP is available in Table 6-1.

Load Configuration Data Frames (Step 6)

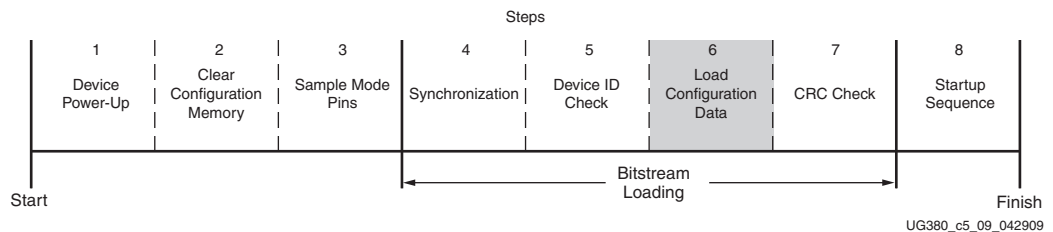


Figure 5-9: Load Configuration Data Frames (Step 6)

After the synchronization word is loaded and the device ID has been checked, the configuration data frames are loaded. This process is transparent to most users.

Cyclic Redundancy Check (Step 7)

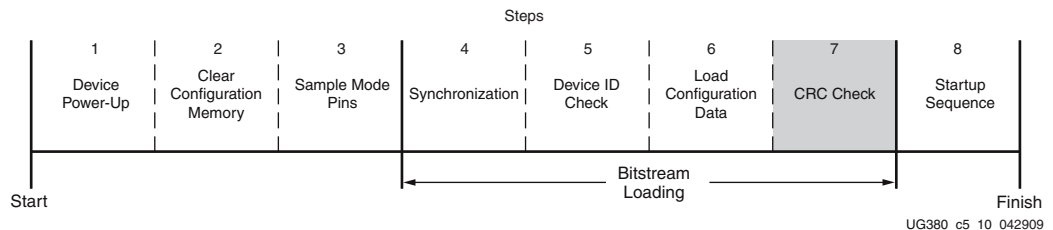


Figure 5-10: Cyclic Redundancy Check (Step 7)

As the configuration data frames are loaded and after synchronization, the device calculates a Cyclic Redundancy Check (CRC) value from the configuration data packets. After the configuration data frames are loaded and before the DESYNC word, the configuration bitstream can issue a *Check CRC* instruction to the device, followed by an expected CRC value. If the CRC value calculated by the device does not match the expected CRC value in the bitstream, the device pulls INIT_B Low and aborts configuration. The CRC check is included in the configuration bitstream by default, although the designer can disable it if desired. (Refer to the BitGen section of [UG628](#),

Command Line Tools User Guide.) If the CRC check is disabled, there is a risk of loading incorrect configuration data frames, causing incorrect design behavior or damage to the device.

If a CRC error occurs during configuration from a mode where the FPGA is the configuration master, the device can attempt to do a fallback reconfiguration (see [Fallback MultiBoot](#), page 128).

Startup (Step 8)

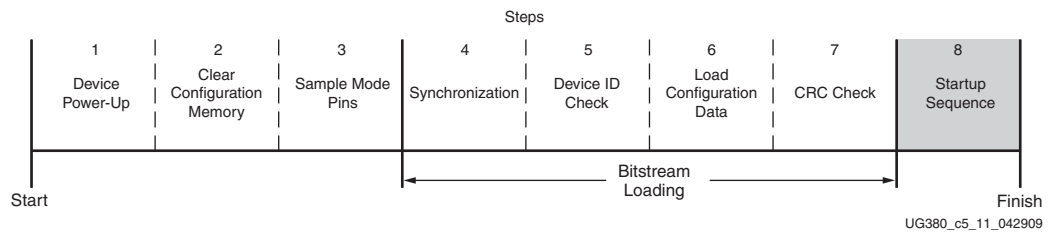


Figure 5-11: Startup Sequence (Step 8)

After the configuration frames are loaded, the bitstream asserts the DESYNC command, and then the START command instructs the device to enter the startup sequence. The startup sequence is controlled by an eight-phase (phases 0–7) sequential state machine that is clocked by the JTAG clock or any user clock defined by the BitGen **-g StartupCLK** option. The startup sequencer performs the tasks outlined in [Table 5-15](#).

Table 5-15: User-Selectable Cycle of Startup Events

Phase	Event
1–6	Wait for DCMs and PLLs to lock (optional)
1–6	Assert Global Write Enable (GWE), allowing RAMs and flip-flops to change state
1–6	Negate Global 3-State (GTS), activating I/O
1–6	Release DONE pin
7	Assert End Of Startup (EOS)

The specific order of startup events (except for EOS assertion) is user-programmable through BitGen options (refer to [UG628](#), *Command Line Tools User Guide*). [Table 5-15](#) shows the general sequence of events, although the specific phase for each of these startup events is user-programmable (EOS is always asserted in the last phase). Refer to [Chapter 2, Configuration Interface Basics](#), for important startup option guidelines. By default, startup events occur as shown in [Table 5-16](#).

Table 5-16: Default BitGen Sequence of Startup Events

Phase	Event
4	Release DONE pin
5	Negate GTS, activating I/O
6	Assert GWE, allowing RAMs and flip-flops to change state
7	Assert EOS

The startup sequence can be forced to wait for the DCMs and PLLs to lock with the appropriate BitGen options. These options are typically set to prevent DONE and GWE from being asserted (preventing device operation) before the DCMs and PLLs have locked.

Startup can wait for DCMs and PLLs by assigning the LCK_CYCLE option to a startup phase. If this is not done, startup does not wait for any DCMs or PLLs. When the LCK_CYCLE is set to a startup phase, the FPGA waits for *all* DCMs and PLLs to lock prior to moving to the next phase of startup. To only wait for specific DCMs to lock, assign the STARTUP_WAIT attribute to those instances. There is no corresponding attribute for PLLs. When waiting for DCM and PLL lock, the GTS startup setting must be enabled on a phase before LCK_CYCLE. Failing to do so results in the FPGA waiting for the clock components indefinitely and never completing startup. For additional information on using the LCK_CYCLE feature in master configuration modes, see [Required Data Spacing between MultiBoot Images, page 132](#).

The DONE signal is released by the startup sequencer on the cycle indicated by the user, but the startup sequencer does not proceed until the DONE pin actually sees a logic High. The DONE pin is an open-drain bidirectional signal with an internal pull-up by default. By releasing the DONE pin, the device simply stops driving a logic Low and the pin is weakly pulled High. [Table 5-17](#) shows signals relating to the startup sequencer. [Figure 5-12](#) shows the waveforms relating to the startup sequencer.

Table 5-17: Signals Relating to the Startup Sequencer

Signal Name	Type	Access ⁽¹⁾	Description
DONE	Bidirectional ⁽²⁾	DONE pin or Spartan-6 FPGA Status Register	Indicates configuration is complete. Can be held Low externally to synchronize startup with other FPGAs.
GWE	Status	Spartan-6 FPGA Status Register	Global Write Enable (GWE). When deasserted, GWE disables the CLB and the IOB flip-flops as well as other synchronous elements on the FPGA.
GTS			Global 3-State (GTS). When asserted, GTS disables all the I/O drivers except for the configuration pins.
DCM_LOCK			DCM_LOCK indicates when all DCMs and PLLs have locked. This signal is asserted by default. It is active if the STARTUP_WAIT option is used on a DCM and the LCK_CYCLE option is used when the bitstream is generated.

Notes:

- Information on the Spartan-6 FPGA status register is available in [Table 5-35, page 99](#). Information on accessing the device status register via JTAG is available in [Table 6-5, page 117](#). Information on accessing the device status register via SelectMAP is available in [Table 6-1, page 113](#).
- Open-drain output with internal pull-up by default; the optional driver is enabled using the BitGen **DriveDone** option.
- GWE is asserted synchronously to the configuration clock (CCLK) and has a significant skew across the part. Therefore, sequential elements might not be released synchronously to the system clock and timing violations can occur during startup. It is recommended to reset the design after startup and/or apply some other synchronization technique.

In a Slave configuration mode, additional clocks are needed after DONE goes High to complete the startup events. In Master configuration mode, the FPGA provides these clocks. The number of clocks necessary varies depending on the settings selected for the startup events. A general rule is to apply eight clocks (with DIN all 1's) after DONE has gone High. More clocks are necessary if the startup is configured to wait for the DCM and PLLs to lock (LCK_CYCLE).

When using the external master clock (USERCCLK) pin, I/O standard becomes enabled at the EOS phase. As I/O standard changes from the default pre-configuration value to the user specified value, a glitch might appear. It is recommended to use clock enables or a reset to prevent glitches from affecting the design.

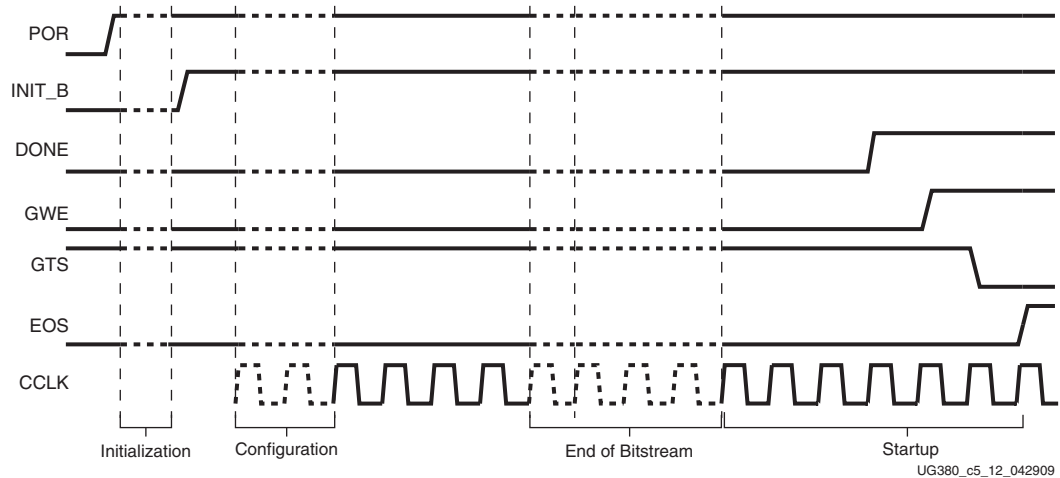


Figure 5-12: Configuration Signal Sequencing (Default Startup Settings)

Bitstream Encryption

The Spartan-6 6SLX75/T, 6SLX100/T, and 6SLX150/T devices have on-chip AES decryption logic to provide a high degree of design security. Without knowledge of the encryption key, potential pirates cannot analyze an externally intercepted bitstream to understand or clone the design. Encrypted Spartan-6 FPGA designs cannot be copied or reverse-engineered. Encryption is permitted in configuration modes of x1 and x8 data widths (including JTAG). Encryption cannot be used in conjunction with bitstream compression.

The Spartan-6 FPGA AES system consists of software-based bitstream encryption and on-chip bitstream decryption with dedicated memory for storing the encryption key. Using the ISE software, the user generates the encryption key and the encrypted bitstream. Spartan-6 devices store the encryption key internally in either dedicated RAM, backed up by a small externally connected battery or the eFUSE. The encryption key can only be programmed onto the device through the JTAG interface; once programmed, it is not possible to read the encryption key out of the device through JTAG or any other means.

During configuration, the Spartan-6 device performs the reverse operation, decrypting the incoming bitstream. The Spartan-6 FPGA AES encryption logic uses a 256-bit encryption key.

The on-chip AES decryption logic cannot be used for any purpose other than bitstream decryption; i.e., the AES decryption logic is not available to the user design and cannot be used to decrypt any data other than the configuration bitstream.

Advanced Encryption Standard Overview

The Spartan-6 FPGA encryption system uses the AES encryption algorithm. AES is an official standard supported by the National Institute of Standards and Technology (NIST) and the U.S. Department of Commerce (<http://csrc.nist.gov/publications/fips/fips197/fips-197.pdf>).

The Spartan-6 FPGA AES encryption system uses a 256-bit encryption key (the alternate key lengths of 128 and 192 bits described by NIST are not implemented) to encrypt or decrypt blocks of 128 bits of data at a time. According to NIST, there are 1.1×10^{77} possible key combinations for a 256-bit key.

Symmetric encryption algorithms such as AES use the same key for encryption and decryption. The security of the data is therefore dependent on the secrecy of the key.

Creating an Encrypted Bitstream

BitGen, provided with the ISE software, can generate encrypted as well as non-encrypted bitstreams. For AES bitstream encryption, the user specifies a 256-bit key as an input to BitGen. BitGen in turn generates an encrypted bitstream file (BIT) and an encryption key file (NKY).

For specific BitGen commands and syntax, refer to [UG628](#), *Command Line Tools User Guide*.

Loading the Encryption Key

The encryption key can only be loaded onto a Spartan-6 device through the JTAG interface. The iMPACT tool, provided with ISE software, can accept the NKY file as an input and program the device with the key through JTAG, using a Xilinx USB-II programming cable.

To program the key, the device enters a special *key-access mode* using the ISC_PROGRAM_KEY instruction. In this instruction, all FPGA memory, including the encryption key and configuration memory, is cleared. After the key is programmed and the key-access mode is exited, the key cannot be read out of the device by any means, and it cannot be reprogrammed without clearing the entire device. After programming the key into the eFUSE, the key cannot be reprogrammed later.

Loading Encrypted Bitstreams

Once the device has been programmed with the correct encryption key, the device can be configured with an encrypted bitstream. After configuration with an encrypted bitstream, it is not possible to read the configuration memory through JTAG or SelectMAP readback, regardless of the BitGen security setting.

While the device holds an encryption key, a non-encrypted bitstream can be used to configure the device; in this case the key is ignored. After configuring with a non-encrypted bitstream, readback is possible (if allowed by the BitGen security setting). The encryption key still cannot be read out of the device, preventing the use of *Trojan Horse* bitstreams to defeat the Spartan-6 FPGA encryption scheme.

The method of configuration is not affected by encryption. The configuration bitstream can be delivered in any x1 or x8 data width configuration mode (Serial, SPI x1, JTAG, BPI, SelectMAP). The SPI x2, SPI x4, BPI x16, and SelectMAP x16 bus widths are not supported for encrypted bitstreams. Configuration timing and signaling are also unaffected by encryption.

After configuration, the device cannot be reconfigured without toggling the PROGRAM_B pin, cycling power, or issuing the JPROGRAM instruction. Fallback reconfiguration and IPROG reconfiguration (see [Fallback MultiBoot](#), page 128) are disabled after encryption is turned on. Readback is available through the ICAP primitive (see [Bitstream Encryption and Internal Configuration Access Port \(ICAP\)](#)). None of these events resets the key if V_{BATT} or V_{CCAUX} is maintained.

A mismatch between the key used to generate the encrypted bitstream and the key stored in the device causes configuration to fail with the INIT_B pin going Low and the DONE pin remaining Low.

Bitstream Encryption and Internal Configuration Access Port (ICAP)

The Internal Configuration Access Port (ICAP) primitive provides the user logic with access to the Spartan-6 FPGA configuration interface. The ICAP interface is similar to the SelectMAP interface, although the restrictions on readback for the SelectMAP interface do not apply to the ICAP interface after configuration. Users can perform readback through the ICAP interface even if bitstream encryption is used. Unless the designer wires the ICAP interface to user I/O, this interface does not offer attackers a method for defeating the Spartan-6 FPGA AES encryption scheme.

Users concerned about the security of their design should *not*:

- Wire the ICAP interface to user I/O

-or-

- Instantiate the ICAP primitive.

Like the other configuration interfaces, the ICAP interface does not provide access to the key register.

V_{BATT}

The encryption key memory cells are volatile and must receive continuous power to retain their contents. During normal operation, these memory cells are powered by the auxiliary voltage input (V_{CCAUX}), although a separate V_{BATT} power input is provided for retaining the key when V_{CCAUX} is removed. Because V_{BATT} draws very little current (on the order of nanoamperes), a small watch battery is suitable for this supply. (To estimate the battery life, refer to V_{BATT} DC Characteristics in the *Spartan-6 FPGA Data Sheet: DC and Switching Characteristics* and the battery specifications.) At less than a 150 nA load, the endurance of the battery should be limited only by its shelf life.

V_{BATT} does not draw any current and can be removed while V_{CCAUX} is applied. V_{BATT} cannot be used for any purpose other than retaining the encryption keys when V_{CCAUX} is removed.

eFUSE

The fuse link is programmed by flowing a large current for a specific amount of time. Fuse programming current is provided by a fixed external voltage supply (V_{FS} pin). The maximum level is controlled by an internally generated supply. eFUSES are one-time programmable.

The resistance of a programmed fuse link is typically a few orders of magnitude higher than that of a pristine one. A programmed fuse is assigned a logic value of 1 and a pristine fuse 0.

Each logical bit of the FUSE_KEY and FUSE_CNTL registers consists of two eFUSE cells (primary and redundant), a flip-flop, and common logic elements for data multiplexing.

eFUSE Registers

A Spartan-6 FPGA has a total of three eFUSE registers. [Table 5-18](#) lists the eFUSE registers in Spartan-6 devices with their sizes and usage. The eFUSE bits are addressed so that the LSB is shifted in/out first and MSB is last.

Table 5-18: eFUSE Registers

Register Name	Size (Bits)	Contents	Description
FUSE_KEY ⁽¹⁾	256	Bitstream encryption key [0:255] (bit 255 shifted first)	Stores key for use by AES bitstream decryptor. The eFUSE key can be used instead of the key stored in battery-backed SRAM. The AES key is used by the Spartan-6 FPGA decryption engine to load encrypted bitstreams. Depending on the read/write access bits in the CNTL register, the AES key can be programmed and read through the JTAG port.
FUSE_ID	57	Device DNA [0:56] (bit 56 shifted first)	Stores device DNA, a read-only register that is accessed through the JTAG port or the DNA_PORT primitive.
FUSE_CNTL ⁽¹⁾	32	Control Bits CNTL [31:0] (bit 0 shifted first)	Controls key use and read/write access to eFUSE registers. This register can be programmed and read through the JTAG port.

Notes:

1. FUSE_KEY and FUSE_CNTL are only available on 6SLX75/T, 6SLX100/T, and 6SLX150/T devices.

eFUSE Control Register (FUSE_CNTL)

This register contains six user programmable bits. These bits are used to select AES key usage and set the read/write protection for eFUSE registers, as detailed in Table 5-19. Bit 0 is shifted in or out first.

The eFUSE bits are one-time programmable (OTP). Once programmed, they cannot be unprogrammed. For example, if access to a register is disabled, it cannot be re-enabled.

Table 5-19: eFUSE CNTL Register Bits

Bit #	Name	Description	Comments
0:7	-	-	Reserved
8	CNTL Security	Disable read and write of the CNTL registers. Redundant with CNTL[12].	The user must program this bit after programming and verifying AES and CNTL registers to prevent any manipulation or readback of these registers.
9	-	-	Reserved
10	Key Security	Disables read and write of KEY register. Redundant with CNTL[14].	The user must program this bit after programming and verifying AES registers to prevent manipulation or readback of these registers.
11	-	-	Reserved
12	CNTL Security	Disable read and write of the CNTL registers. Redundant with CNTL[8].	The user must program this bit after programming and verifying AES and CNTL registers to prevent manipulation or readback of these registers.
13	-	-	Reserved

Table 5-19: eFUSE CNTL Register Bits (Cont'd)

Bit #	Name	Description	Comments
14	Key Security	Disables read and write of KEY register. Redundant with CNTL[10].	The user must program this bit after programming and verifying AES registers to prevent manipulation or readback of these registers.
15	-	-	Reserved
16	aes_exclusive	Disables partial reconfiguration.	This bit requires the FPGA contents to be cleared prior to reconfiguration by issuing a JPROG JTAG instruction, pulsing the PROGRAM_B pin, or cycling power to the FPGA.
17	cfg_aes_only	The FPGA can only be configured using the AES key stored in the eFUSE KEY register after this bit is programmed.	The FPGA can only be configured by a bitstream that was encrypted with the AES key stored in the eFUSE AES register. Caution! If this bit is programmed, the device cannot be used unless the AES key is known. Return Material Authorization (RMA) returns cannot be accepted if this bit is programmed.
18:31	-	-	Reserved

If CNTL[17] is NOT programmed:

- Encryption can be enabled or disabled via the BitGen options.
- The AES key stored in eFUSE or battery-backed SRAM can be selected via the BitGen options.

Once CNTL[17] is programmed, only bitstreams encrypted with the eFUSE key can be used to configure the FPGA.

Configuration memory is blocked after initial configuration if CNTL[16] is programmed. The only way to reconfigure the device is to issue a JTAG JPROG instruction, cycle power, or pulse the PROGRAM_B pin.

JTAG Instructions

eFUSE registers can be read through JTAG ports. eFUSE programming can be done only via JTAG. Table 5-20 lists eFUSE-related JTAG instructions. Refer to [Chapter 10, Advanced JTAG Configurations](#), for general JTAG communication protocol. These instructions are not sufficient to program eFUSES. A precise algorithm is used and not provided. The only supported method of programming eFUSES is by using the iMPACT software.

Table 5-20: eFUSE-Related JTAG Instructions

JTAG Instruction	Code	Action
FUSE_KEY	6'h3B	Selects the 256-bit FUSE_KEY register.
FUSE_OPTION	6'h3C	Selects the 16-bit FUSE_OPTION register for data and commands for interfacing with eFUSE.
ISC_FUSE_READ	6'h30	Selects the DNA eFUSE registers. Must be preceded by ISC_ENABLE and followed by ISC_DISABLE.

Table 5-20: eFUSE-Related JTAG Instructions (Cont'd)

JTAG Instruction	Code	Action
FUSE_UPDATE	6'h3A	Updates the FPGA with the values from the AES and CNTL eFUSEs.
FUSE_CNTL	6'h34	Selects the 32-bit FUSE_CNTL register.

V_{FS} Pin

In Spartan-6 devices, the V_{FS} pin is one of two pins dedicated to eFUSE operation. The V_{FS} pin should be treated as a power supply pin for testing purposes, such as power-up ramp and ESD stress.

The voltage specification for the V_{FS} pin during programming is 3.3V nominal. The supply must be able to provide up to 40 mA of current during programming. For read mode, the V_{FS} pin only needs to be lower than the V_{CCAUX} maximum operating condition. See [Table 5-21](#) for V_{FS} bias conditions. For the full specification, see [DS162, Spartan-6 FPGA Data Sheet: DC and Switching Characteristics](#).

Table 5-21: V_{FS} Pin Bias Conditions

eFUSE Mode	V _{FS} Pin Bias
Read or Unused	V _{CC} or GND (recommended)
Program	3.3V

RFUSE Pin

The RFUSE pin is the second dedicated pin for eFUSE operation. If programming the eFUSE is required, connect a 1,140Ω resistor to ground. If a 1,140Ω resistor is difficult to acquire, it can be replaced with an 1,130Ω resistor in series with a 10Ω resistor. Resistor tolerance can be found in [DS162, Spartan-6 FPGA Data Sheet: DC and Switching Characteristics](#). When not programming or using eFUSE, it is recommended to connect RFUSE to V_{CCAUX} or GND, or RFUSE can float.

V_{CCAUX} Pin

The V_{CCAUX} must be equal to or greater than V_{FS} when programming the eFUSE. V_{CCAUX} can be any of the other recommended operating values allowed in [DS162, Spartan-6 FPGA Data Sheet: DC and Switching Characteristics](#), when reading or configuring from the eFUSE.

Configuration Memory Frames

Spartan-6 FPGA configuration memory is arranged in frames that are tiled about the device. Because these frames are the smallest addressable segments of the Spartan-6 FPGA configuration memory space, all operations must act upon whole configuration frames. Most frames are 65 words of 16 bits. Spartan-6 FPGA frame counts are shown in [Table 5-22](#). Depending on BitGen options, additional overhead exists in the configuration bitstream. The exact bitstream length is available in the rawbits file (.rbt) created by using the **-b** option with BitGen or selecting **Create ASCII Configuration File** in the Generate Programming File options popup in ISE software. Bitstream length (words) are roughly equal to the configuration array size (words) plus configuration overhead (words). Bitstream length (bits) are roughly equal to the bitstream length in words times 16.

There are three types of configuration frames. These frame types contain data for specific segments of the FPGA:

- Type 0: Core: CLB, DSP, input/output interconnect (IOI), clocking
- Type 1: Block RAM
- Type 2: IOB

Table 5-22: Frame Counts

Device	Number of Type 0 Frames for Core	Block RAM Columns	Number of Type 1 Frames for Block RAM	Number of I/Os ⁽¹⁾	Length of Type 2 Frames for IOB
6SLX4	2028	1	37,440	132	897
6SLX9	2028	2	37,440	200	897
6SLX16	2976	2	37,440	232	1,073
6SLX25	5065	3	70,200	266	1,153
6SLX25T	5065	3	70,200	266	1,153
6SLX45	9088	4	149,760	358	1,577
6SLX45T	9088	4	149,760	370	1,577
6SLX75	15384	4	224,640	426	1,801
6SLX75T	15384	4	224,640	426	1,801
6SLX100	20304	6	336,960	498	2,089
6SLX100T	20304	6	336,960	498	2,089
6SLX150	27240	6	336,960	576	2,401
6SLX150T	27240	6	336,960	576	2,401

Notes:

1. I/O count can be greater than in available packages due to unbonded I/O.

Configuration Packets

All Spartan-6 FPGA bitstream commands are executed by reading or writing to the configuration registers. Configuration data is organized as 16-bit words. Some data can occupy multiple words. There are three major commands that the configuration data can contain: NOP, READ, and WRITE, shown in Table 5-23.

Table 5-23: Opcode Format

OP	CODE
NOP	00
READ	01
WRITE	10

A configuration command is executed when the configuration command is read or written to the appropriate command register.

Packet Types

All data (register writes and frame data) is encapsulated into two kinds of packets:

- Type 1 packet: contains two sections: Header and Data.
- Type 2 packet: contains three sections: Header, Word Count, and Data.

Type 1 Packet

A Type 1 packet is used for a register write with six address bits for a short block. The Header section is always a 16-bit word. See [Table 5-24](#).

Table 5-24: Type 1 Header Packet

Header	Type	Operation	Register Address	Word Count
Bits	[15:13]	[12:11]	[10:5]	[4:0]
Type 1	001	xx	xxxxxx	xxxxx

The Type 1 data section follows the Type 1 packet header and contains the number of 16-bit words specified by the word count portion of the header. See [Table 5-25](#).

Table 5-25: Type 1 Data Section

Data	[15:0]
Word	xxxxxxxxxxxxxxxxxx

Type 2 Packet

The Type 2 packet, which must follow a Type 1 packet, is used to write long blocks. The header section is always a 16-bit word.

Following the Type 2 packet header is the Type 2 data section, which contains the number of 16-bit words specified by the word count portion of the header.

Table 5-26: Type 2 Packet Header

Header	Type	Operation	Register Address	(Not Used)
Bits	[15:13]	[12:11]	[10:5]	[4:0]
Type 2	010	xx	xxxxxx	00000

The Type 2 word count follows the Type 2 packet header and contains two 16-bit words, with MSB in the first word.

Table 5-27: Type 2 Packet Word Count Data 2

WC1	[31:16]
Data	0000xxxxxxxxxxxx

Table 5-28: Type 2 Packet Word Count Data 1

WC2	[15:0]
Data	xxxxxxxxxxxxxxxxxx

Following the Type 2 word count section is the Type 2 data section; it contains the number of 16-bit words that the word count portion of the header specifies.

Table 5-29: Type 2 Packet Data Section

Data	[15:0]
Word [1]	XXXXXXXXXXXXXXXXXX
...	XXXXXXXXXXXXXXXXXX
Word [wc]	XXXXXXXXXXXXXXXXXX

Word Count = (Total Number of Frames + 1 Dummy Frame) x Actual Frame Length

Configuration Registers

Table 5-30 summarizes the configuration registers. A detailed explanation of selected registers follows.

Table 5-30: Configuration Registers

Register Name	R/W	Address	Description
CRC	W	6'h00	Cyclic Redundancy Check.
FAR_MAJ	W	6'h01	Frame Address Register Block and Major.
FAR_MIN	W	6'h02	Frame Address Register Minor.
FDRI	W	6'h03	Frame Data Input.
FDRO	R	6'h04	Frame Data Output.
CMD	R/W	6'h05	Command.
CTL	R/W	6'h06	Control.
MASK	R/W	6'h07	Control Mask.
STAT	R	6'h08	Status.
LOUT	W	6'h09	Legacy output for serial daisy-chain.
COR1	R/W	6'h0a	Configuration Option 1.
COR2	R/W	6'h0b	Configuration Option 2.
PWRDN_REG	R/W	6'h0c	Power-down Option register.
FLR	W	6'h0d	Frame Length register.
IDCODE	R/W	6'h0e	Product IDCODE.
CWDT	R/W	6'h0f	Configuration Watchdog Timer.
HC_OPT_REG	R/W	6'h10	House Clean Option register.
CSBO	W	6'h12	CSB output for parallel daisy-chaining.
GENERAL1	R/W	6'h13	Power-up self test or loadable program address.
GENERAL2	R/W	6'h14	Power-up self test or loadable program address and new SPI opcode.
GENERAL3	R/W	6'h15	Golden bitstream address.

Table 5-30: Configuration Registers (Cont'd)

Register Name	R/W	Address	Description
GENERAL4	R/W	6'h16	Golden bitstream address and new SPI opcode.
GENERAL5	R/W	6'h17	User-defined register for fail-safe scheme.
MODE_REG	R/W	6'h18	Reboot mode.
PU_GWE	W	6'h19	GWE cycle during wake-up from suspend.
PU_GTS	W	6'h1a	GTS cycle during wake-up from suspend.
MFWR	W	6'h1b	Multi-frame write register.
CCLK_FREQ	W	6'h1c	CCLK frequency select for master mode.
SEU_OPT	R/W	6'h1d	SEU frequency, enable and status.
EXP_SIGN	R/W	6'h1e	Expected readback signature for SEU detection.
RDBK_SIGN	W	6'h1f	Readback signature for readback command and SEU.
BOOTSTS	R	6'h20	Boot History Register.
EYE_MASK	R/W	6'h21	Mask pins for Multi-Pin Wake-Up.
CBC_REG	W	6'h22	Initial CBC Value Register.

CRC Register

The Cyclic Redundancy Check register utilizes a standard 32-bit CRC checksum algorithm to verify bitstream integrity during configuration. If the value written matches the current calculated CRC, the CRC_ERROR flag is cleared and startup is allowed.

FAR_MAJ Register

Frame Address Register sets the starting block and column address for the next configuration data input. See Table 5-31.

Table 5-31: Frame Address Register (MAJOR)

	BLK	ROW	MAJOR
Bits	[15:12]	[11:8]	[7:0]
	0xxx	xxxx	xxxxxxxx

FAR_MIN Register

Table 5-32: Frame Address Register (MINOR)

	Block RAM	(Reserved)	MINOR
Bits	[15:14]	[13:10]	[9:0]
	xx	0000	xxxxxxxxxx

There are three types of write to FAR:

- Write one word to FAR_MAJ: only updates the FAR_MAJ.
- Write one word to FAR_MIN: only updates the FAR_MIN.
- Write two words to FAR_MAJ: updates both FAR_MAJ and FAR_MIN; the data for FAR_MAJ will come first.

FDRI Register

Configuration data is written to the device by loading the command register with the WCFG command and then loading the Frame Data Input Register.

FDRO Register

The FDRO is for reading configuration data or captured data from the device. Loading the command register with the RCFG command, and then addressing the FDRO with a read command perform a readback.

MASK Register

MASK register performs writes to the CTL register. A 1 in bit N of the mask allows that bit position to be written in the CTL register. The default value of the mask is 0.

EYE_MASK Register

The EYE_MASK register stores the mask for the SCP pins for the Multi-Pin Wake-Up feature. It is 16 bits, with the lower 8 representing the mask. The upper 8 bits are reserved. The lower 8 bits are set from the **-g wakeup_mask** BitGen option.

LOUT Register

The Legacy Output Register (LOUT) is used for daisy-chaining the configuration bit stream to other Xilinx devices. Data written to the LOUT is serialized and appears on the DOUT pin.

CBC_REG Register

This register is used by the bitstream compression option to hold the Initial Vector (IV) for AES decryption.

IDCODE Register

Any writes to the FDRI register must be preceded by a write to this register. The provided IDCODE must match the device's IDCODE. See [Configuration Sequence, page 78](#).

A read of this register returns the device IDCODE.

CSBO Register

The CSBO register is designed to assert the CSB_O signal and then ignore any incoming data for a specified word count. It works much the same way as the LOUT register except that it only outputs a Low on CSB_O and no data is passed through. Like the LOUT register, multiple calls can be nested for different devices in support of daisy-chaining.

Command Register (CMD)

The Command Register is used to instruct the configuration control logic to strobe global signals and perform other configuration functions. The command present in the CMD register is executed each time the FAR is loaded with a new value. [Table 5-33](#) lists the Command Register commands and codes.

Table 5-33: Command Register Codes

Command	Code	Description
NULL	00000	Null Command
WCFG	00001	Writes Configuration Data: Used prior to writing configuration data to the FDRI.
MFW	00010	Multiple Frame Write: Used to perform a write of a single frame data to multiple frame addresses.
LFRM	00011	Last Frame: Deasserts the GHIGH_B signal, activating all interconnects. The GHIGH_B signal is asserted with the AGHIGH command.
RCFG	00100	Reads Configuration Data: Used prior to reading configuration data from the FDRO.
START	00101	Begins the Startup Sequence: Initiates the startup sequence. The startup sequence begins after a successful CRC check and a DESYNC command are performed.
RCRC	00111	Resets CRC: Resets the CRC register.
AGHIGH	01000	Asserts the GHIGH_B signal: Places all interconnect in a high-Z state to prevent contention when writing new configuration data. This command is only used in shutdown reconfiguration. Interconnect is reactivated with the LFRM command.
GRESTORE	01010	Pulses the GRESTORE signal: Sets/resets (depending on user configuration) IOB and CLB flip-flops.
SHUTDOWN	01011	Begins the shutdown sequence: Initiates the shutdown sequence, disabling the device when finished. Shutdown activates on the next successful CRC check or RCRC instruction (typically, an RCRC instruction).
DESYNC	01101	Resets the DALIGN Signal: Used at the end of configuration to desynchronize the device. After desynchronization, all values on the configuration data pins are ignored.
IPROG	01110	Generates reboot_rst to reconfigure from the address specified in the general register.

Control Register 0 (CTL)

The CTL register is used to configure the Spartan-6 device. Writes to the CTL register are masked by the value in the MASK register. The name of each bit position in the CTL0 register is given in [Table 5-34](#).

Table 5-34: Control Register 0 (CTL0) Description

Name	Bit Index	Description	BitGen Default
DEC	6	Decryption 0: No decryption 1: Decryption used (automatically set SBITS to Level1 or up and mc_enc=1) Once set to 1, the DEC cannot be altered except by hard reboot (PROGRAM_B or JPROGRAM).	0
SBITS	5:4	Security level: Level0: SBITS=00: R/W OK (default) Level1: SBITS=01: Permits only ICAP readback Level2: SBITS=10: All readback disabled; (en_vrb_b =1 => Vrd=0) Level3: SBITS=11: Readback disabled, Writing disabled except CRC,CMD; (mc_vrd=1 => Vrd=0) Once set to 1, the SBITS cannot be altered except by soft reboot (PROGRAM_B, JPROGRAM, IPROG command, error reboot, or fallback reboot).	00
PERSIST	3	Configuration interface remains after configuration 0: No (default) 1: Yes	0
USE_EFUSE_KEY	2	Use eFUSE key as decryption key 0: Use battery-backed RAM key (default) 1: Use eFUSE key	0
CRC_EXTSTAT_DISABLE	1	External CRC status pin (INIT_B) pulled Low when using POST CRC. The first configuration always has the CRC indicator on INIT_B. 0: CRC indicator enabled 1: CRC indicator disabled	0
RESERVED	0	Reserved.	1

Caution! PERSIST and ICAP cannot be set at the same time. PERSIST has higher priority.

Status Register (STAT)

The Status Register indicates the value of numerous global signals. The register can be read through the SelectMAP or JTAG interfaces. [Table 5-35](#) gives the name of each bit position in the STAT register; a detailed explanation of each bit position is given in [Table 5-35](#).

Table 5-35: Status Register Description

Name	Bits	Description
SWWD_strikeout (SyncWordWatchDog)	15	Indicates error to configure for reasons of failure to find the sync word within the Configuration WatchDog timer (CWDT) count, invalid IDCODE, or CRC error. See the BOOTSTS register for the specific cause of failure. INIT is pulled Low and SWWD_strikeout goes High.
IN_PWRDN	14	SUSPEND status.
DONE	13	DONEIN input from DONE pin.
INIT_B	12	Value of INIT_B.
MODE	11:9	Value of MODE pins (0, M1,M0).
HSWAPEN	8	HSWAPEN status.
PART_SECURED	7	0: Decryption security not set. 1: Decryption security set.
DEC_ERROR	6	FDRI write attempted before or after decryption operation: 0: No DEC_ERROR. 1: DEC_ERROR.
GHIGH_B	5	Status of GHIGH.
GWE	4	Status of Global Write Enable.
GTS_CFG_B	3	Status of Global 3-State.
DCM_LOCK	2	DCMs and PLLs are locked.
ID_ERROR	1	IDCODE not validated while trying to write FDRI.
CRC_ERROR	0	CRC error.

Configuration Options Register (COR1 and COR2)

The Configuration Options Register is used to set certain configuration options for the device. The name of each bit position in COR1 and COR2 is given in [Table 5-36](#).

Table 5-36: Configuration Options (COR1 and COR2) Descriptions

Register	Field	Bit Index	Description	BitGen Default
COR1	DRIVE_AWAKE	15	0: Does not drive the awake pin (open drain). 1: Actively drives the awake pin.	0
	RESERVED	14:5	Reserved.	0110111000
	CRC_BYPASS	4	Does not check against the updated CRC value.	0
	DONE_PIPE	3	0: No pipeline stage for DONEIN. 1: Add pipeline stage to DONEIN.	0
	DRIVE_DONE	2	0: DONE pin is open drain. 1: DONE pin is actively driven High.	0
	SSCLKSRC	1:0	Startup sequence clock. 00: CCLK. 01: UserClk. 1x: TCK.	00
COR2	RESET_ON_ERROR	15	Option to fallback when a crc_error occurs. 0: Disable reset on error. 1: Enable reset on error.	0
	RESERVED	14:12	Reserved	000
	DONE_CYCLE	11:9	Startup phase in which DONE pin is released. (001, 010, 011, 100, 101, 110)	100
	LCK_CYCLE	8:6	Stall in this startup phase until DCM or PLL lock is asserted. (001, 010, 011, 100, 101, 110, 111<No wait>)	111 (No wait)
	GTS_CYCLE	5:3	Startup phase in which I/Os switch from 3-state to user design. (000<Keep>, 001, 010, 011, 100, 101, 110, 111<Done>)	101
	GWE_CYCLE	2:0	Startup phase in which the global write enable is asserted. (000<Keep>, 001, 010, 011, 100, 101, 110, 111<Done>)	110

Suspend Register (PWRDN_REG)

Table 5-37: Power-Down Register Description

Field	Bit Index	Description	BitGen Default
RESERVED	15	Reserved.	
EN_EYES	14	Enable Multi-Pin Wake-Up. 0: Disable Multi-Pin Wake-Up. 1: Enable Multi-Pin Wake-Up.	0
RESERVED	13:6	Reserved.	0010_0010
FILTER_B	5	0: Suspend filter (300 ns) on. 1: Filter off.	0
EN_PGSR	4	0: No GSR pulse during return from Suspend. 1: Generate GSR pulse during return from Suspend.	0
RESERVED	3	Reserved.	
EN_PWRDN	2	0: Suspend is disabled. 1: Suspend is enabled.	0
KEEP_SCLK	0	0: Use MCLK for startup sequence initiated by power-up. 1: Use SSCLKSRC for startup sequence initiated by power-up.	1

Frame Length Register

Frame Length Register (FLR) is written with the length of a frame, as measured in 16-bit words, near the beginning of the configuration bitstream. FLR must be written before any FDR operation will work. It is not necessary to set the FLR more than once.

The actual value written to FLR = Actual Frame Length.

Based on the segmentation scheme in Spartan-6 devices, the frame length for type0 (CLB, IOI, and special blocks) and type1 (block RAM) are fixed. The only block that needs a specified frame length is IOB.

Table 5-38: Frame Length Register

Bits	FLR
[15:0]	xxxxxxxxxxxxxxxx

Multi-Frame Write Register

The Spartan-6 FPGA supports Multi-Frame Write (MFWR) for first-time configuration but does *not* support it during reconfiguration. The FPGA has to go through one power cycle or use PROGRAM_B to reset the chip before MFWR can be used.

Configuration Watchdog Timer Register

The configuration watchdog timer (CWDT) register stores the value of the number of clock cycles that the FPGA will wait before the watchdog time-out (in which SYNCWORD is not received). The default is 64k clock cycles. The minimum value is 16h'0201.

Table 5-39: CWDT Register

Bits	Value
[15:0]	16h'ffff

HC_OPT_REG Register

The HC_OPT_REG register can only be reset to default by por_b.

Table 5-40: HC_OPT_REG Description

Name	Bits	Description	Default
INIT_SKIP	6	0: Do not skip initialization. 1: Skip initialization.	0
RESERVED	5:0	Reserved.	011111

GENERAL Registers 1, 2, 3, 4, and 5

GENERAL1 and GENERAL2 registers are used to store loadable multiple configuration addresses for SPI and BPI.

GENERAL3 and GENERAL4 registers have a similar function as GENERAL1 and GENERAL2, except that GENERAL3 and GENERAL4 store the golden bitstream address instead of the MultiBoot address.

The GENERAL5 register is a 16-bit register that allows users to store and access any extra information desired for the fail-safe scheme. These register contents are untouched during a soft reboot.

These registers are set by the bitstream. BitGen can be instructed not to write to these registers using the `-g next_config_register_write:Disable` command. This allows the ability to store user data in the FPGA between re-configuration attempts.

Table 5-41: General Registers

Name	Bits	Description
GENERAL1	[15:0]	The lower half of the multiple boot address.
GENERAL2	[15:0]	15:8 – SPI opcode. 7:0 – Higher half of the boot address.
GENERAL3	[15:0]	The lower half of the <i>golden</i> bitstream address.
GENERAL4	[15:0]	15:8 – SPI opcode. 7:0 – Higher half of the golden boot address.
GENERAL5	[15:0]	The user-defined scratchpad register.

If the second configuration needs a previously unknown SPI vendor command, the new vendor command has already been loaded in GENERAL2 from the bitstream by this point.

If it is a known-vendor command, the SPI read command needs to be loaded to GENERAL2.

In case of SPI, the general register contains an 8-bit command plus a 24-bit address. See [Table 5-42](#).

Table 5-42: SPI General Register Example

gen2[15:0]	gen1[15:0]
rd_cmd[7:0], addr[23:16]	addr[15:0]

BPI has a 26-bit address (there are 6 don't care bits). See [Table 5-43](#).

Table 5-43: BPI General Register Example

gen2[15:0]	gen1[15:0]
xxxxxx, address[25:16]	addr[15:0]

MODE Register

The MODE register contains the mode setting (two bits for bus width, three bits for mode, and eight bits for vsel), which can be used for the reboot. The default is the original pin setting.

This register is cleared in the same way as General registers, that is they can only be cleared by bus_reset0 but NOT by reboot_rst (bus_reset = bus_reset || reboot_rst). See [Table 5-44](#).

Table 5-44: MODE Registers Description

Name	Bits	Description	Default
RESERVED	15	Reserved.	0
RESERVED	14	Reserved.	0
NEW_MODE	13	0: Physical mode, ignore bit[10:0] (default). 1: Bitstream mode, use bit[10:0], required for MultiBoot and Fallback.	0
BUSWIDTH	12:11	The buswidth setting to reboot. SPI: 00: by 1 01: by 2 10: by 4	00 (SPI by1)
BOOTMODE	10:8	Mode setting required for MultiBoot and Fallback. Enabled by NEW_MODE. bit [10]: Reserved bit [9]: BOOTMODE <1> bit [8]: BOOTMODE <0>	001
BOOTVSEL	7:0	The vsel setting to reboot.	Read only.

CCLK_FREQ Register

Table 5-45: Master Mode CCLK Frequency Select Description

Name	Bits	Description	Default
EXT_MCLK	14	Select external master clock. 0: Select internal master clock. 1: Select external master clock.	0
MCLK_FREQ	9:0	CCLK frequency select. This register is a shared use register with the ExtMCCLK_Divide signal, which divides the external clock.	10x1BE

PU_GWE Register

This 10-bit register stores the wake-up GWE sequence from suspend. See [Table 5-46](#).

Table 5-46: Wake-Up 10-Bit Register Default

Bits	[9:0]
Default Value	10h'006

PU_GTS Register

This 10-bit register stores the wake-up GTS sequence from suspend. See [Table 5-47](#).

Table 5-47: 10-Bit Wake-Up Register Default

Bits	[9:0]
Default Value	10h'005

Boot History Status Register (BOOTSTS)

This register is reset by POR or asserting PROGRAM_B. It is not reset by an IPROG command, because the purpose of this register is to store the potential errors of a MultiBoot operation. At EOS or an error condition, status (_0) is updated with the current status. If fallback or MultiBoot occurs, status (_1) is updated at EOS or an error condition. BOOTSTS is not updated after a successful IPROG command. The name of each bit position in the BOOTSTS register is given in [Table 5-48](#).

Table 5-48: BOOTSTS Register Description

Name	Bits	Description
STRIKE_CNT	15:12	Strike count.
CRC_ERROR_1	11	CRC error.
ID_ERROR_1	10	IDCODE not validated while trying to write FDRI.
WTO_ERROR_1	9	Watchdog time-out error.
RESERVED	8	Reserved.
FALLBACK_1	7	1: Fallback to 00 address. 0: Normal configuration.
VALID_1	6	Status Valid.

Table 5-48: BOOTSTS Register Description (Cont'd)

Name	Bits	Description
CRC_ERROR_0	5	CRC error.
ID_ERROR_0	4	IDCODE not validated while trying to write FDRL.
WTO_ERROR_0	3	Watchdog time-out error.
RESERVED	2	Reserved
FALLBACK_0	1	1: Fallback to golden bit stream address. 0: Normal configuration.
VALID_0	0	Status Valid.

SEU_OPT Register

This register enables SEU detection and contains the status and frequency at which the FPGA should run during SEU detection. Each bit position of the SEU_OPT register is described in [Table 5-49](#).

Table 5-49: Soft Error Upset Option Register

Name	Bits	Description	Default
RESERVED	15	Reserved.	1
RESERVED	14	Reserved.	0
SEU_FREQ	13:4	Bus_clk frequency during SEU detection.	10x1be
SEU_RUN_ON_ERR	3	If SEU_ERR is detected, keep running? 0: Halt. 1: Keep running.	0
GLUT_MASK	1	Mask out LUTRAM/SRL readback. 0: Unmask. 1: Mask out LUTRAM/SRL.	1
SEU_ENABLE	0	Enable SEU Detection. 0: Disable. 1: Enable.	0

Bitstream Composition

Configuration can begin after the device is powered and initialization has finished, as indicated by the INIT_B pin being released. After initialization, the packet processor ignores all data presented on the configuration interface until it receives the synchronization word. After synchronization, the packet processor waits for a valid packet header to begin the configuration process. A bitstream for regular configuration has the structure as shown in [Table 5-50](#).

Table 5-50: Spartan-6 FPGA Bitstream Structure

Section	Description	Example
DUMMYWORD	Sixteen dummy words for BPI address shift cycle.	0xFFFF
SYNC WORD	Two word (32-bit) pattern for synchronization.	0xAA99 0x5566
HEADER	Configuration register setup.	
CFG BODY	Starting address R/W command FDRI/FDRO Configuration memory contents AUTO CRC word	
HEADER2	Configuration register setup (for daisy-chain and features available after configuration).	CTL
DESYNC WORD	One word (16-bit) pattern signifying the end of the bitstream.	0x000D

Notes:

1. Configuration CRC calculation begins immediately after the SYNC WORD and the final check occurs before the DESYNC WORD.

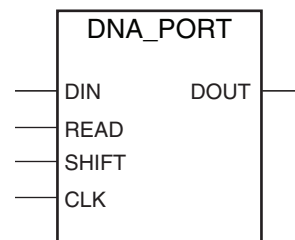
Default Initial Configuration Process

Initial configuration using a default bitstream (a bitstream generated using the default BitGen settings) begins by pulsing the PROGRAM_B pin for SelectMAP and Serial configuration modes or by issuing the JPROGRAM instruction for JTAG configuration mode.

Spartan-6 FPGA Unique Device Identifier (Device DNA)

Spartan-6 FPGAs contain an embedded, unique device identifier (device DNA). The identifier is nonvolatile, permanently programmed into the FPGA, and is unchangeable, making it tamper resistant.

The FPGA application accesses the identifier value using the Device DNA Access Port (DNA_PORT) design primitive, shown in [Figure 5-13](#).



UG380_c5_13_052009

Figure 5-13: Spartan-6 FPGA DNA_PORT Design Primitive

Identifier Value

As shown in Figure 5-14, the device DNA value is 57 bits long. The two most-significant bits are always 1 and 0. The remaining 55 bits are unique to a specific Spartan-6 FPGA.

Operation

Figure 5-14 shows the general functionality of the DNA_PORT design primitive. An FPGA application must first instantiate the DNA_PORT primitive, shown in Figure 5-13, within a design.

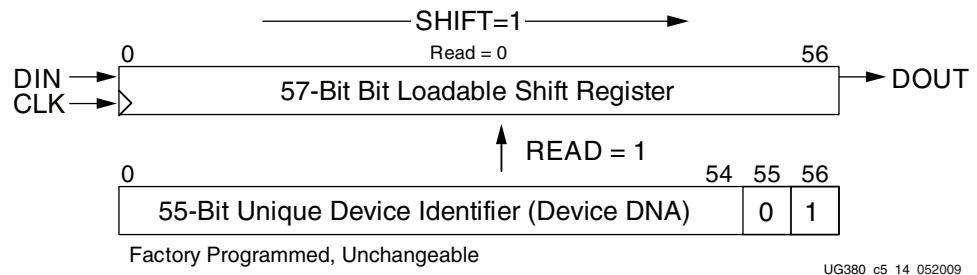


Figure 5-14: DNA_PORT Operation

To read the device DNA, the FPGA application must first transfer the identifier value into the DNA_PORT output shift register. The READ input must be asserted during a rising edge of CLK, as shown in Table 5-51. This action parallel loads the output shift register with all 57 bits of the identifier. Because bit 56 of the identifier is always 1, the DOUT output is also 1. The READ operation overrides a SHIFT operation.

To continue reading the identifier values, SHIFT must be asserted, followed by a rising edge of CLK, as shown in Table 5-51. This action causes the output shift register to shift its contents toward the DOUT output. The value on the DIN input is shifted into the shift register.

A Low-to-High transition on SHIFT should be avoided when CLK is High because this causes a spurious initial clock edge. Ideally, SHIFT should only be asserted when CLK is Low or on a falling edge of CLK.

If both READ and SHIFT are Low, the output shift register holds its value and DOUT remains unchanged.

Table 5-51: DNA_PORT Operations

Operation	DIN	READ	SHIFT	CLK	Shift Register	DOUT
HOLD	X	0	0	X	Hold previous value	Hold previous value
READ	X	1	X	↑	Parallel load with 57-bit ID	Bit 56 of identifier, which is always 1
SHIFT	DIN	0	1	↑	Shift DIN into bit 0, shift contents of Shift Register toward DOUT	Bit 56 of Shift Register

Notes:

- X = Don't care
- ↑ = Rising clock edge

Identifier Memory Specifications

The unique FPGA identifier value is retained for a minimum of ten years of continuous usage under worst-case recommended operating conditions. The identifier can be read, using the READ operation defined in Table 5-51, a minimum of 30 million cycles, which roughly correlates to one read operation every 11 seconds for the operating lifetime of the Spartan-6 FPGA.

Extending Identifier Length

As shown in Figure 5-15, most applications that use the DNA_PORT primitive tie the DIN data input to a static value.

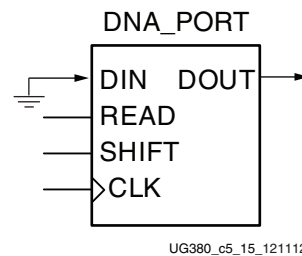


Figure 5-15: **Shift in Constant**

As shown in Figure 5-16, the length of the identifier can be extended by feeding the DOUT serial output port back into the DIN serial input port. This way, the identifier can be extended to any possible length. However, there are still only 55 unique bits, with a 57-bit repeating pattern. A buffer is included in Figure 5-16 to demonstrate a user inserting logic for the user's DNA logic extension or delay for the loopback to meet hold time requirements.

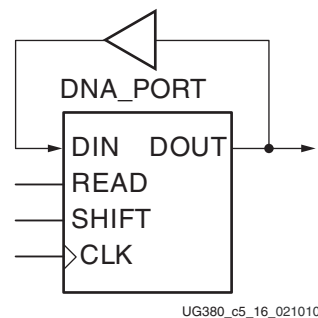


Figure 5-16: **Circular Shift**

It is also possible to add additional bits to the identifier using FPGA logic resources. As shown in Figure 5-17, the FPGA application can insert additional bits via the DNA_PORT DIN serial input. The additional bits provided by the logic resources could take the form of an additional fixed value or a variable computed from the device DNA.

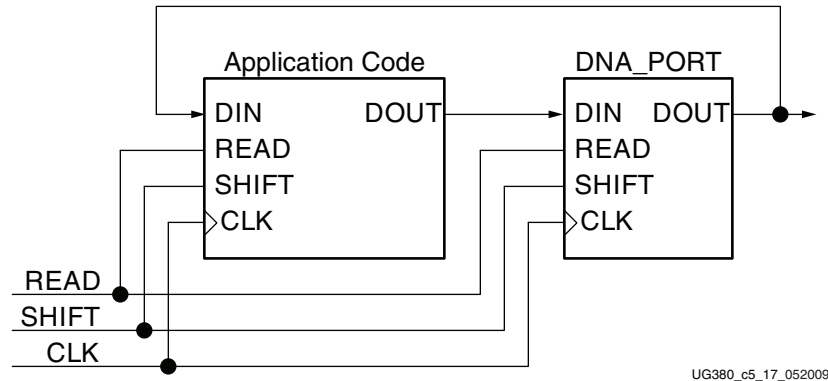


Figure 5-17: Bitstream Specific Code

JTAG Access to Device Identifier

The FPGA's internal device identifier, plus any values shifted in on the DIN input, can be read via the JTAG port using the private ISC_DNA command. This requires the ISC_ENABLE to be loaded before the ISC_DNA command is issued.

Bit 56 of the identifier, shown in Figure 5-14, appears on the TDO JTAG output following the ISC_DNA command when the device enters the Shift-DR state. The remaining Device DNA bits and any data on the input to the register are shifted out sequentially while the JTAG controller is left in the Shift-DR state. When this operation is complete, the ISC_DISABLE command should be issued.

iMPACT Access to Device Identifier

The iMPACT software in ISE 10.1 (and later) tools can also read the device DNA value. `readDna -p <position>` is the batch command that reads the device DNA from the FPGA.

Bitstream Compression

By default, FPGA bitstreams are uncompressed. However, Spartan-6 FPGAs support basic bitstream compression. The compression is fairly simple, yet effective for some applications. The ISE bitstream generator software examines the FPGA bitstream for any duplicate configuration data frames. These duplicates occur often in these situations:

- FPGA designs with unused block RAM or hardware multipliers.
- FPGA designs with low logic utilization, such as when most of the FPGA array is empty.

The ISE software can then generate a compressed FPGA bitstream. As the FPGA configures, the internal configuration controller copies the redundant data frame to multiple locations. Compression is not supported for encrypted bitstreams.

The amount of compression is non-deterministic. Changes to the source FPGA design can cause the size of the compressed bitstream to grow. Sparse, mostly empty FPGA designs have the greatest overall compression factor. Similarly, FPGA designs with an empty column of block RAM have a high compression factor.

The overall benefits of a compressed bitstream are:

- Smaller memory footprint.
- Faster programming time for nonvolatile memory.
- Faster configuration time.

Compression is enabled using the BitGen option **-g compress**.

Parallel Platform Flash PROMs offer their own compression mechanisms. For more details, see the “XCFxxP Decompression and Clock Options” chapter in [UG161](#), *Platform Flash PROM User Guide*.

Readback and Configuration Verification

Spartan®-6 devices allow users to read configuration memory through the SelectMAP, ICAP, and JTAG interfaces. During readback, the user reads all configuration memory cells, including the current values on all user memory elements (LUT RAM, SRL16, and block RAM).

To read configuration memory, users must send a sequence of commands to the device to initiate the readback procedure. Once initiated, the device dumps the contents of its configuration memory to the SelectMAP or JTAG interface. The [Accessing Configuration Registers through the SelectMAP Interface](#) section and IEEE Std 1149.1 JTAG describe the steps for reading configuration memory.

Users can send the readback command sequence from a custom microprocessor, CPLD, or FPGA-based system, or use iMPACT to perform JTAG-based readback verify. iMPACT, the device programming software provided with the ISE® software by Xilinx, can perform all readback and comparison functions for Spartan-6 devices and report to the user whether there were any configuration errors.

Once configuration memory is read from the device, the next step is to determine if there are any errors by comparing the readback bitstream to the configuration bitstream. The [Verifying Readback Data](#) section explains how this is done.

Preparing a Design for Readback

There are two mandatory bitstream settings for readback using JTAG or SelectMAP: the BitGen security setting must not prohibit readback (**-g Security:none**), and bitstream encryption must not be used. Additionally, if readback is to be performed through the SelectMAP interface, the port must be set to retain its function after configuration by setting the *persist* option in BitGen (**-g Persist:Yes**), otherwise the SelectMAP data pins revert to user I/O, precluding further configuration operations. Beyond these security and encryption requirements, no special considerations are necessary to enable readback through the boundary-scan port. Also, these requirements are not necessary when using readback via the ICAP. Limitations for readback are:

- Performing a readback while the design is in operation (without providing a shutdown command) results in reading back invalid block RAM data. The actual contents of the block RAM are unaffected.
- Performing a readback (with or without a shutdown command) corrupts the contents of block RAMs configured in 9K mode.

Readback Command Sequences

Spartan-6 FPGA configuration memory is read from the FDRO (Frame Data Register - Output) configuration register and can be accessed from the JTAG, SelectMAP, and ICAP interfaces. For the JTAG and SelectMAP interfaces, readback is possible while the FPGA design is active or in a shutdown state, although block RAMs cannot be accessed by the user design while they are being accessed by the configuration logic.

Accessing Configuration Registers through the SelectMAP Interface

To read configuration memory through the SelectMAP interface, users must set the interface for write control to send commands to the FPGA, and then switch the interface to read control to read data from the device. Write and read control for the SelectMAP interface is determined by the RDWR_B input: the SelectMAP data pins are inputs when the interface is set for Write control (RDWR_B = 0); they are outputs when the interface is set for Read control (RDWR_B = 1).

The CSI_B signal must be deasserted (CSI_B = 1) before toggling the RDWR_B signal, otherwise the user causes an abort (refer to [SelectMAP ABORT](#), page 149 for details).

The procedure for changing the SelectMAP interface from Write to Read Control, or vice versa, is:

1. Deassert CSI_B.
2. Toggle RDWR_B.
RDWR_B = 0: Write control
RDWR_B = 1: Read control
3. Assert CSI_B.
4. CSI_B and RDWR_B is synchronous to CCLK.
5. This procedure is illustrated in [Figure 6-1](#).

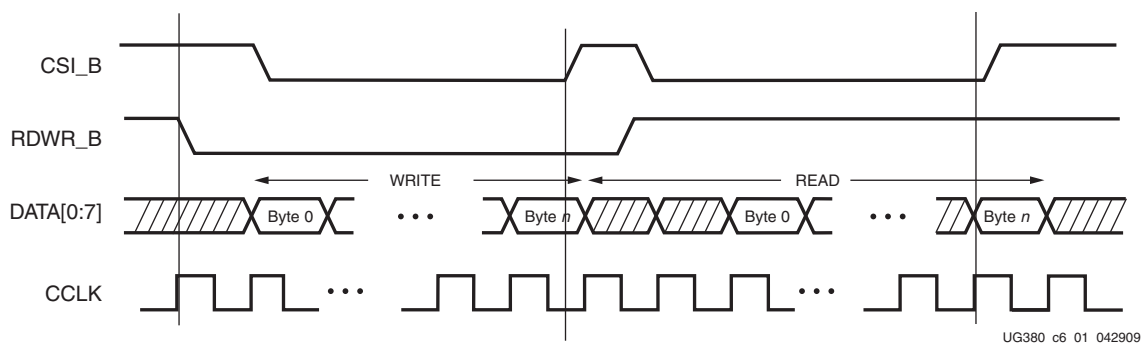


Figure 6-1: Changing the SelectMAP Port from Write to Read Control

Configuration Register Read Procedure (SelectMAP)

The simplest read operation targets a configuration register such as the COR0 or STAT register. Any configuration register with read access can be read through the SelectMAP interface, although not all registers offer read access. The procedure for reading the STAT register through the SelectMAP interface follows:

1. Write a dummy word and a synchronization word to the device followed by at least one no operation command (NOOP).

2. Write the *read STAT register* packet header to the device.
3. Write four NOOPs to the device to flush the packet buffer.
4. Read one word from the SelectMAP interface; this is the Status register value.
5. Write the DESYNC command to the device.
6. Write two NOOPs to the device to flush the packet buffer.

Table 6-1: Status Register Readback Command Sequence (16-Bit SelectMAP)

Step	SelectMAP Port Direction	Configuration Data [15:0]	Explanation
1	Write	FFFF	Dummy Word
2	Write	FFFF	Dummy Word
3	Write	AA99	Sync Word
4	Write	5566	Sync Word
5	Write	2000	NOOP
6	Write	2901	Write Type1 packet header to read STAT register
7	Write	2000	NOOP
8	Write	2000	NOOP
9	Write	2000	NOOP
10	Write	2000	NOOP
11	Read	SSSS	Device writes one word from the STAT register to the configuration interface
12	Write	30A1	Type 1 Write 1 Word to CMD
13	Write	000D	DESYNC Command
14	Write	2000	NOOP
15	Write	2000	NOOP

The user must change the SelectMAP interface from write to read control between steps 10 and 11, and back to write control after step 11, as illustrated in Figure 6-2. The SelectMAP 16-bit data ordering applies to the ICAP interface as shown in Table 2-4, page 39 and Table 2-5, page 39.

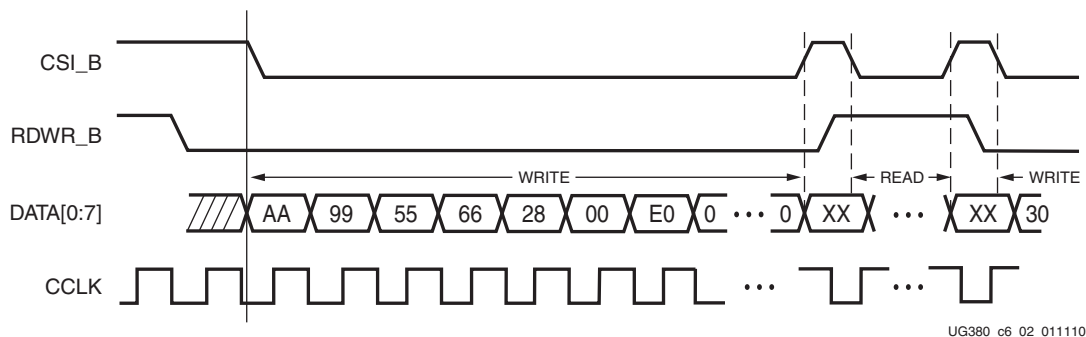


Figure 6-2: 8-Bit SelectMAP Status Register Read

To read registers other than STAT, the address specified in the Type-1 packet header in step 2 of [Table 6-1](#) should be modified and the word count changed if necessary. Reading from the FDRO register is a special case that is described in [Configuration Memory Read Procedure \(SelectMAP\)](#).

Configuration Memory Read Procedure (SelectMAP)

The process for reading configuration memory from the FDRO register is similar to the process for reading from other registers. Additional steps are needed to accommodate the configuration logic. Configuration data coming from the FDRO register passes through the frame buffer. The first frame of readback data should be discarded. After changing the FAR or beginning to read a different frame type, it is necessary to send the DESYNC command and a new synchronization word prior to starting another read operation.

1. Write the dummy and synchronization words to the device.
2. Write one NOOP command.
3. Write the Shutdown command, and write one NOOP command.
4. Write command to disable the interconnect, and write one NOOP command.
5. Set the frame length register.
6. Write the Starting Frame Address to the FAR (typically 0x00000000).
7. Write the RCFG command to the CMD register.
8. Write the *read FDRO register* packet header to the device. The FDRO read length is given by:

$$\text{FDRO Read Length} = (\text{words per frame}) \times (\text{frames to read} + 1) + 1$$

One extra frame is read to account for the frame buffer. Users should strobe readback data while DOUT_BUSY is Low. The frame buffer produces one dummy frame at the beginning of the read. Also, one extra word is read in SelectMap8 mode.

9. Write two dummy words to the device to flush the packet buffer.
10. Read the FDRO register from the SelectMAP interface. The FDRO read length is the same as in step 9 above.
11. Write one NOOP instruction.
12. Write the START command, and write one NOOP command.
13. Write the RCRC command, and write one NOOP command. Write the DESYNC command.
14. Write at least 64 bits of NOOP commands to flush the packet buffer. Continue sending CCLK pulses until DONE goes High.

[Table 6-2](#) shows the readback command sequence.

Table 6-2: Shutdown Readback Command Sequence (SelectMAP)

Step	SelectMAP Port Direction	Configuration Data	Explanation
1	Write	FFFF	Dummy Word
		FFFF	Dummy Word
		FFFF	Dummy Word
		FFFF	Dummy Word
		AA99	Sync Word
		5566	Sync Word

Table 6-2: Shutdown Readback Command Sequence (SelectMAP) (Cont'd)

Step	SelectMAP Port Direction	Configuration Data	Explanation
2	Write	2000	Type 1 NOOP Word 0
3	Write	30A1	Type 1 Write 1 Word to CMD
		000B	SHUTDOWN Command
		2000	Type 1 NOOP Word 0 REPEAT for 16 cycles.
4	Write	30A1	Type 1 Write 1 Word to CMD
		0007	RCRC Command
		2000	Type 1 NOOP Word 0
5	Write	30A1	Type 1 Write 1 Word to CMD
		0008	AGHIGH Command
		2000	Type 1 NOOP Word 0
6	Write	31a1	Type 1 Write 1 Word to FLR
		XXXX	Framelength
7	Write	3022	Type 1 Write 2 Words to FAR
		0000	FAR_MAJ = 0000
		0000	FAR_MIN = 0000
8	Write	30A1	Type 1 Write 1 Word to CMD
		0004	RCFG Command
9	Write	4880	Type 2 Read 0 Words from FDRO
		XXXX	Type 2 Read XXXX Words from FDRO
10	Write	2000	Type 1 NOOP Word 0
		...	Type 1 65 More NOOPs Word 0
11	Read	0000	Packet Data Read FDRO Word 0
		...	
		0000	Packet Data Read FDRO Last Word
12	Write	2000	Type 1 NOOP Word 0
13	Write	30A1	Type 1 Write 1 Word to CMD
		0005	START Command
		2000	Type 1 NOOP Word 0
		2000	Type 1 NOOP Word 0
		2000	Type 1 NOOP Word 0
		2000	Type 1 NOOP Word 0
14	Write	30A1	Type 1 Write 1 Word to CMD
		0007	RCRC Command
		2000	Type 1 NOOP Word 0

Table 6-2: Shutdown Readback Command Sequence (SelectMAP) (Cont'd)

Step	SelectMAP Port Direction	Configuration Data	Explanation
15	Write	30A1	Type 1 Write 1 Word to CMD
		000D	DESYNC Command
16	Write	2000	Type 1 NOOP Word 0 REPEAT for 16 cycles.

User logic should strobe readback data while DOUT_BUSY is Low after switching from a write to a read (both CSI_B and RDWR_B are Low). DOUT_BUSY must be monitored to determine when the readback data is valid.

When readback is initiated, and after BUSY is deasserted, a number of dummy words depending on the SelectMAP bus width are read prior to valid data behind present. Table 6-3 lists the dummy readback cycles for the two SelectMAP widths.

Table 6-3: Readback Latency (SelectMAP)

	x8	x16
CSI_B to Readback Latency	3 clocks	2 clocks

Notes:

1. These latencies assume CSI_B and RDWR_B are deasserted for one cycle between write and read. If the deassertion lasts more than one cycle, then the latency is less. It is best to monitor the BUSY signal for valid readback data.

Accessing Configuration Registers through the JTAG Interface

JTAG access to the Spartan-6 FPGA configuration logic is provided through the JTAG CFG_IN and CFG_OUT registers. The CFG_IN and CFG_OUT registers are not configuration registers, rather they are JTAG registers like BYPASS and BOUNDARY_SCAN. Data shifted into the CFG_IN register goes to the configuration packet processor, where it is processed in the same way commands from the SelectMAP interface are processed.

Readback commands are written to the configuration logic by going through the CFG_IN register; configuration memory is read through the CFG_OUT register. The JTAG state transitions for accessing the CFG_IN and CFG_OUT registers are described in Table 6-4.

Table 6-4: Shifting in the JTAG CFG_IN and CFG_OUT Instructions

Step	Description	Set and Hold		# of Clocks (TCK)
		TDI	TMS	
1	Clock five 1s on TMS to bring the device to the TLR state	X	1	5
2	Move into the RTI state	X	0	1
3	Move into the Select-IR state	X	1	2
4	Move into the Shift-IR state	X	0	2
5	Shift the first five bits of the CFG_IN or CFG_OUT instruction, LSB first	000101 (CFG_IN)	0	5
		000100 (CFG_OUT)		

Table 6-4: Shifting in the JTAG CFG_IN and CFG_OUT Instructions (Cont'd)

Step	Description	Set and Hold		# of Clocks (TCK)
		TDI	TMS	
6	Shift the MSB of the CFG_IN or CFG_OUT instruction while exiting SHIFT-IR	0	1	1
7	Move into the SELECT-DR state	X	1	2
8	Move into the SHIFT-DR state	X	0	2
9	Shift data into the CFG_IN register or out of the CFG_OUT register while in SHIFT_DR, MSB first	X	0	X
10	Shift the LSB while exiting SHIFT-DR	X	1	1
11	Reset the TAP by clocking five 1s on TMS	X	1	5

Configuration Register Read Procedure (JTAG)

The simplest read operation targets a configuration register such as the COR0 or STAT register. Any configuration register with read access can be read through the JTAG interface, although not all registers offer read access. The procedure for reading the STAT register through the JTAG interface follows:

1. Reset the TAP controller.
2. Shift the CFG_IN instruction into the JTAG Instruction Register through the Shift-IR state. The LSB of the CFG_IN instruction is shifted first; the MSB is shifted while moving the TAP controller out of the SHIFT-IR state.
3. Shift packet write commands into the CFG_IN register through the Shift-DR state:
 - a. Write the synchronization word to the device.
 - b. Write the *read STAT register* packet header to the device.
 - c. Write two dummy words to the device to flush the packet buffer.

The MSB of all configuration packets sent through the CFG_IN register must be sent first. The LSB is shifted while moving the TAP controller out of the SHIFT-DR state.

4. Shift the CFG_OUT instruction into the JTAG Instruction Register through the Shift-IR state. The LSB of the CFG_OUT instruction is shifted first; the MSB is shifted while moving the TAP controller out of the SHIFT-IR state.
5. Shift 32 bits out of the Status register through the Shift-DR state.
6. Reset the TAP controller.

Table 6-5: Status Register Readback Command Sequence (JTAG)

Step	Description	Set and Hold		# of Clocks (TCK)
		TDI	TMS	
1	Clock five 1s on TMS to bring the device to the TLR state.	X	1	5
	Move into the RTI state.	X	0	1
	Move into the Select-IR state.	X	1	2
	Move into the Shift-IR state.	X	0	2

Table 6-5: Status Register Readback Command Sequence (JTAG) (Cont'd)

Step	Description	Set and Hold		# of Clocks (TCK)
		TDI	TMS	
2	Shift the first five bits of the CFG_IN instruction, LSB first.	00101 (CFG_IN)	0	5
	Shift the MSB of the CFG_IN instruction while exiting SHIFT-IR.	0	1	1
	Move into the SELECT-DR state.	X	1	2
	Move into the SHIFT-DR state.	X	0	2
3	Shift configuration packets into the CFG_IN data register, MSB first.	a: 0xAA99 a: 0x5566 b: 0x2901 c: 0x2000 c: 0x2000 d: 0x2000 d: 0x2000	0	111
	Shift the LSB of the last configuration packet while exiting SHIFT-DR.	0	1	1
	Move into the SELECT-IR state.	X	1	3
	Move into the SHIFT-IR state.	X	0	2
4	Shift the first five bits of the CFG_OUT instruction, LSB first.	00100 (CFG_OUT)	0	5
	Shift the MSB of the CFG_OUT instruction while exiting Shift-IR.	0	1	1
	Move into the SELECT-DR state.	X	1	2
	Move into the SHIFT-DR state.	X	0	2
5	Shift the contents of the STAT register out of the CFG_OUT data register.	0xSSSS	0	15
	Shift the last bit of the STAT register out of the CFG_OUT data register while exiting SHIFT-DR.	S	1	1
	Move into the Select-IR state.	X	1	3
	Move into the Shift-IR State.	X	0	2
6	Reset the TAP Controller.	X	1	5

The packets shifted in to the JTAG CFG_IN register are identical to the packets shifted in through the SelectMAP interface when reading the STAT register through SelectMAP.

Configuration Memory Read Procedure (IEEE Std 1149.1 JTAG)

The process for reading configuration memory from the FDRO register through the JTAG interface is similar to the process for reading from other registers. However, additional steps are needed to accommodate frame logic. Configuration data coming from the FDRO register pass through the frame buffer, therefore the first frame of readback data is *dummy data* and should be discarded (refer to the FDRI and FDRO register description). The IEEE Std 1149.1 JTAG readback flow is recommended for most users.

1. Reset the TAP controller.
2. Shift the CFG_IN instruction into the JTAG Instruction Register. The LSB of the CFG_IN instruction is shifted first; the MSB is shifted while moving the TAP controller out of the SHIFT-IR state.
3. Shift packet write commands into the CFG_IN register through the Shift-DR state:
 - a. Write a dummy word to the device.
 - b. Write the synchronization word to the device.
 - c. Write 1 word to CMD register header.
 - d. Specify the length of the data frame to be read back.
 - e. Write the starting frame address to the FAR registers.
4. Shift the JSHUTDOWN instruction into the JTAG Instruction Register.
5. Move into the RTI state; remain there for 24 TCK cycles to complete the Shutdown sequence. The DONE pin goes Low during the Shutdown sequence.
6. Shift the CFG_IN instruction into the JTAG Instruction Register.
7. Move to the Shift-DR state and shift packet write commands into the CFG_IN register:
 - a. Write a dummy word to the device.
 - b. Write the synchronization word to the device.
 - c. Write 1 word to CMD register header.
 - d. Specify the length of the data frame to be read back.
 - e. Write the starting frame address to the FAR registers.
 - f. Write the RCFG command to the device.
 - g. Write the *read FDRO register* Type-1 packet header to the device.
 - h. Write two dummy words to the device to flush the packet buffer.

The MSB of all configuration packets sent through the CFG_IN register must be sent first. The LSB is shifted while moving the TAP controller out of the SHIFT-DR state.
8. Shift the CFG_OUT instruction into the JTAG Instruction Register through the Shift-DR state. The LSB of the CFG_OUT instruction is shifted first; the MSB is shifted while moving the TAP controller out of the SHIFT-IR state.
9. Shift frame data from the FDRO register through the Shift-DR state.
10. Reset the TAP controller.

Table 6-6: Shutdown Readback Command Sequence (JTAG)

Step	Description	Set and Hold		# of Clocks (TCK)
		TDI	TMS	
1	Clock five 1s on TMS to bring the device to the TLR state.	X	1	5
	Move into the RTI state.	X	0	1
	Move into the Select-IR state.	X	1	2
	Move into the Shift-IR state.	X	0	2

Table 6-6: Shutdown Readback Command Sequence (JTAG) (Cont'd)

Step	Description	Set and Hold		# of Clocks (TCK)
		TDI	TMS	
2	Shift the first five bits of the CFG_IN instruction, LSB first.	00101	0	5
	Shift the MSB of the CFG_IN instruction while exiting Shift-IR.	0	1	1
	Move into the SELECT-DR state.	X	1	2
	Move into the SHIFT-DR state.	X	0	2
3	Shift configuration packets into the CFG_IN data register, MSB first.	a: 0xFFFF b: 0xAA99 c: 0x5566 d: 0x30A1 e: 0x2000 f: 0x2000	0	111
	Shift the LSB of the last configuration packet while exiting SHIFT-DR.	0	1	1
	Move into the SELECT-IR state.	X	1	3
	Move into the SHIFT-IR state.	X	0	2
4	Shift the first five bits of the JSHUTDOWN instruction, LSB first.	01101	0	5
	Shift the MSB of the JSHUTDOWN instruction while exiting SHIFT-IR.	0	1	1
5	Move into the RTI state; remain there for 24 TCK cycles.	X	0	24
	Move into the Select-IR state.	X	1	2
	Move into the Shift-IR state.	X	0	2
6	Shift the first five bits of the CFG_IN instruction, LSB first.	00101	0	5
	Shift the MSB of the CFG_IN instruction while exiting SHIFT-IR.	0	1	1
	Move into the SELECT-DR state.	X	1	2
	Move into the SHIFT-DR state.	X	0	2

Table 6-6: Shutdown Readback Command Sequence (JTAG) (Cont'd)

Step	Description	Set and Hold		# of Clocks (TCK)
		TDI	TMS	
7	Shift configuration packets into the CFG_IN data register, MSB first.	a: 0xFFFF b: 0xAA99 b: 0x5566 c: 0x30A1 c: 0x0008 d: 0x31A1 d: 0XXXXX e: 0x3022 e: 0x0000 e: 0x0000 f: 0x30A1 f: 0x0004 g: 0x4880 g: 0x0000 g: 0x0000 h: 0x2000 h: 0x2000	0	271
	Shift the LSB of the last configuration packet while exiting SHIFT-DR.	0	1	1
	Move into the SELECT-IR state.	X	1	3
	Move into the SHIFT-IR state.	X	0	2
8	Shift the first five bits of the CFG_OUT instruction, LSB first.	00100 (CFG_OUT)	0	5
	Shift the MSB of the CFG_OUT instruction while exiting Shift-IR.	0	1	1
	Move into the SELECT-DR state.	X	1	2
	Move into the SHIFT-DR state.	X	0	2
9	Shift the contents of the FDRO register out of the CFG_OUT data register.	...	0	number of readback bits – 1
	Shift the last bit of the FDRO register out of the CFG_OUT data register while exiting SHIFT-DR.	X	1	1
	Move into the Select-IR state.	X	1	3
	Move into the Shift-IR state.	X	0	2
10	End by placing the TAP controller in the TLR state.	X	1	3

Table 6-7 lists the readback files.

Table 6-7: Readback Files

File Extension	File Type	BitGen Setting	Description
RBA	ASCII	-b and -g Readback	An ASCII file that contains readback commands, rather than configuration commands, and expected readback data where the configuration data normally is. This file must be used with the MSK file
RBB	Binary	-g Readback	Binary version of the RBA file. This file must be used with the MSK file.
RBD	ASCII	-g Readback	An ASCII file that contains only expected readback data, including the initial pad frame. No commands are included. This file must be used with the MSD file.
MSK	Binary	-m	A binary file that contains the same configuration commands as a BIT file, but replaces the contents of the FDRI write packet with mask data that indicate whether the corresponding bits in the BIT file should be compared. If a mask bit is 0, the corresponding bits in the readback data stream should be compared. If a mask bit is 1, the corresponding bit in the readback data stream should be ignored.
MSD	ASCII	-g readback	An ASCII file that contains only mask bits. The first bit in the MSD file corresponds to the first bit in the RBD file. Pad data in the actual readback stream are accounted for in the MSD and RBD files. If a mask bit is 0, that bit should be verified against the bitstream data. If a mask bit is 1, that bit should not be verified.
LL	ASCII	-l	An ASCII file that contains information on each of the nodes in the design that can be captured for readback. The file contains the absolute bit position in the readback stream, frame address, frame offset, logic resource used, and name of the component in the design.

The `design.rba` and `design.rbb` files combine readback commands with expected readback data and the `RBD` file contains only expected readback data. Systems that use an `RBD` file for readback must store readback commands elsewhere. The actual readback data must be masked against an `MSK` or `MSD` mask file, as certain bits in the expected readback stream in the `RBA`, `RBB`, and `RBD` files should be ignored.

The readback command set files do not indicate when users must change the SelectMAP or JTAG interface from write to read control; the user must handle this based on the Readback Command Sequences described above.

Verifying Readback Data

The readback data stream contains configuration frame data that are preceded by one frame of pad data, as described in the [Configuration Memory Read Procedure \(SelectMAP\)](#). The readback stream does not contain any of the commands or packet information found in the configuration bitstream and no CRC calculation is performed during readback. The readback data stream is shown in [Figure 6-3](#).

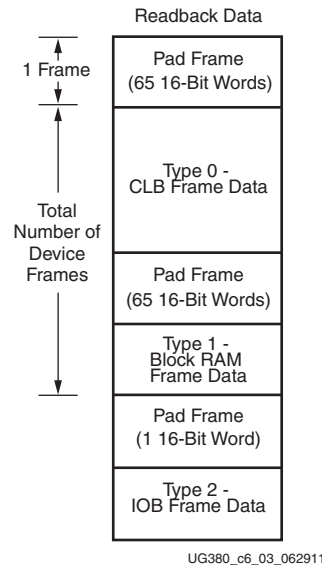


Figure 6-3: Readback Data Stream

The readback data stream is verified by comparing it to the original configuration frame data that were programmed into the device. Certain bits within the readback data stream must not be compared, because these can correspond to user memory or null memory locations. The location of *don't care* bits in the readback data stream is given by the mask files (MSK and MSD). These files have different formats although both convey essentially the same information. Once readback data have been obtained from the device, either of the following comparison procedures can be used:

1. Compare readback data to the RBD *golden* readback file. Mask by using the MSD file (see [Figure 6-4](#)).

The simplest way to verify the readback data stream is to compare it to the RBD *golden* readback file, masking readback bits with the MSD file. This approach is simple because there is a 1:1 correspondence between the start of the readback data stream and the start of the RBD and MSD files, making the task of aligning readback, mask, and expected data easier.

The RBD and MSD files contain an ASCII representation of the readback and mask data along with a file header that lists the file name, etc. This header information should be ignored or deleted. The ASCII 1s and 0s in the RBD and MSD files correspond to the binary readback data from the device. Take care to interpret these files as text, not binary sources. Users can convert the RBD and MSD files to a binary format using a script or text editor, to simplify the verify procedure for some systems and to reduce the size of the files by a factor of eight.

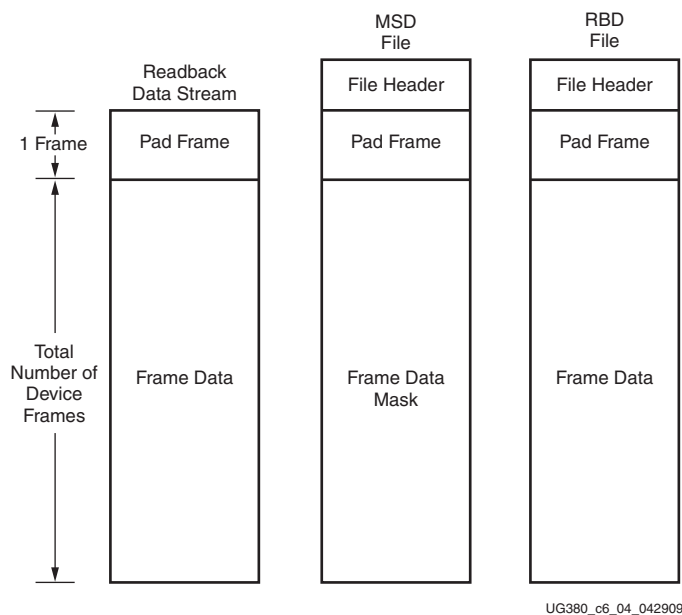


Figure 6-4: Comparing Readback Data Using the MSD and RBD Files

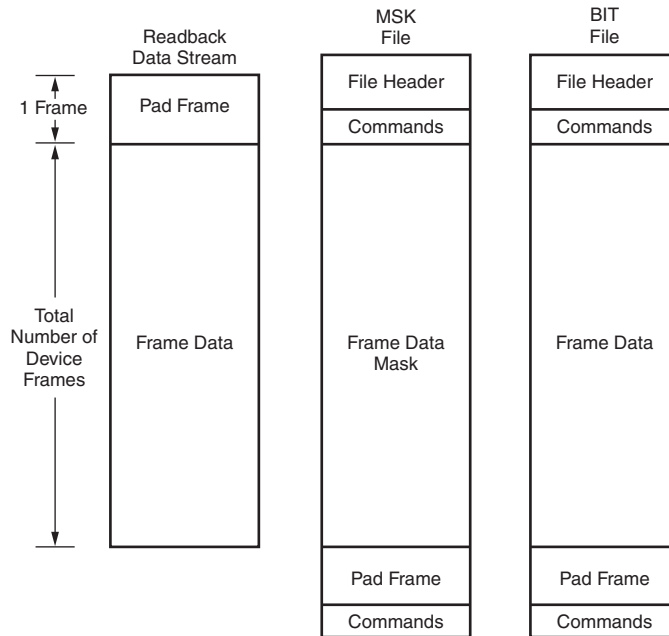
The drawback to this approach is that in addition to storing the initial configuration bitstream and the MSD file, the golden RBD file must be stored somewhere, increasing the overall storage requirement.

2. Compare readback data to the configuration BIT file, mask using the MSK file (see [Figure 6-5](#)).

Another approach for verifying readback data is to compare the readback data stream to the frame data within the FDRI write in the original configuration bitstream, masking readback bits with the MSK file.

After sending readback commands to the device, comparison begins by aligning the beginning of the readback frame data to the beginning of the FDRI write in the BIT and MSK files. The comparison ends when the end of the FDRI write is reached.

This approach requires the least in-system storage space, because only the BIT, MSK, and readback commands must be stored.



UG380_c6_05_042909

Figure 6-5: Comparing Readback Data Using the MSK and BIT Files

The RBA and RBB files contain expected readback data along with readback command sets. They are intended for use with the MSK file, although they are better suited to readback for Virtex® devices than for Spartan-6 devices (see [XAPP138](#), *Virtex FPGA Series Configuration and Readback*).

Reconfiguration and MultiBoot

MultiBoot Overview

Because Spartan®-6 FPGAs are reprogrammable in the system, some applications reload the FPGA with one or more bitstream images during normal operation. In this way, a single smaller FPGA, reprogrammed multiple times, replaces a much larger and more expensive ASIC or FPGA programmed just once.

A variety of methods can be used to reprogram the FPGA during normal operation. The downloaded configuration modes inherently provide this capability. Via an external “intelligent agent,” such as a processor, microcontroller, computer, or tester, an FPGA can be reprogrammed numerous times. The downloaded modes are available on all Spartan-6 FPGA families.

Spartan-6 FPGAs include a capability called MultiBoot that allows the FPGA to selectively reprogram and reload its bitstream from an attached external memory. The MultiBoot feature allows the FPGA application to load two or more FPGA bitstreams under the control of the FPGA application. The FPGA application triggers a MultiBoot operation, causing the FPGA to reconfigure from a different configuration bitstream. After a MultiBoot operation is triggered, the FPGA restarts its configuration process as usual. The INIT_B pin pulses Low while the FPGA clears its configuration memory, and the DONE output remains Low until the MultiBoot operation successfully completes.

MultiBoot is supported in SPI x1, x2, x4, and BPI configuration modes.

Fallback MultiBoot

Fallback Behavior

Spartan-6 FPGAs have dedicated MultiBoot logic, which is used for both fallback and MultiBoot (IPROG) reconfiguration. When fallback or IPROG happens, an internally generated pulse resets the entire configuration logic, except for the dedicated MultiBoot logic and the BOOTSTS, MODE, and GENERAL1.5 registers. See [Figure 7-1](#). This reset pulse pulls INIT_B and DONE Low, and restarts the configuration process by clearing configuration memory.

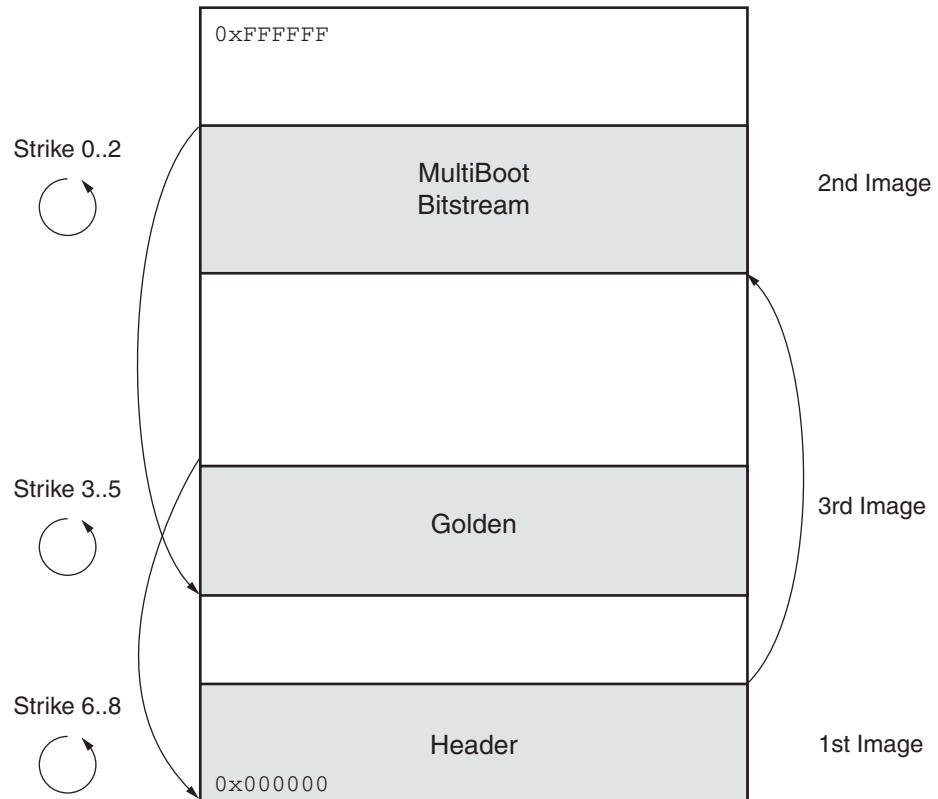


Figure 7-1: MultiBoot Logic

During configuration, a CRC error or a watchdog timer time-out error can trigger fallback. The watchdog timer is only active in master configuration modes. The time-out value is user configurable using the BitGen **-g TIMER_CFG** switch. The switch is followed by a 16-bit value (greater than 16h' 0201) indicating the number of configuration clocks allowed before detection of the Sync word times out.

During fallback reconfiguration, the FPGA increments the strike count, stored in the BOOTSTS register, and continues reconfiguration if the strike count is less than the limit permitted for that image. If the limit is not reached, the FPGA checks the NEW_MODE bit in the MODE register. If this value is 0, the device uses the configuration mode defined by the mode pins. If the value is 1, the device uses the configuration mode defined in the BOOTMODE bits in the MODE register. The NEW_MODE register is set by the BitGen option **-g Next_Config_New_Mode:Yes**. The BOOTMODE bits are set by the BitGen option **-g Next_Config_Boot_Mode**.

There are three images for MultiBoot configuration. The first image is the Header. This small bitstream contains the sync word, sets the addresses for the next bitstream as well as the fallback or golden bitstream, and ends with an IPROG command. To generate this bitstream automatically, add the BitGen option `-g next_config_addr` when creating the programming file for the golden bitstream.

The second image is the MultiBoot bitstream. This is the bitstream that the user plans to configure first. The location of this bitstream is defined by the values of GENERAL1,2. The upper eight bits of the GENERAL 2 register are reserved for the opcode for the non-volatile device. See [Chapter 5, Configuration Details](#), for more information.

The third image is the fallback or golden bitstream. This bitstream is known to be “safe” should an error occur consistently during configuration. The location of this bitstream is defined by the values of GENERAL3,4. As with GENERAL1,2, the upper eight bits of GENERAL4 are reserved for the opcode of the non-volatile device.

If the configuration fallback occurs and the golden bitstream is reached, the only way to boot back into the MultiBoot bitstream (located at GENERAL1,2) is to toggle the PROGRAM_B pin, power cycle the device, or use IPROG reconfiguration (see [IPROG Reconfiguration, page 130](#))

For designs that use more than two bitstreams, the GENERAL1,2 values must be set to the location of the next bitstream then an IPROG command needs to be issued. GENERAL3,4 values should be reserved for the fallback bitstream.

The header image must start at address 0. This image has three “strikes” allotted to it. If a CRC error is detected, the strike count increments and configuration restarts if the register setting RESET_ON_ERROR is 1 (located in the register COR2, and can be set from BitGen setting `-g Reset_on_err`) and the strike count is less than 3. The same behavior occurs if the watchdog timer times out, but it does not depend on RESET_ON_ERROR. The strike counter is found in the BOOTSTS registers. If the count is 3, configuration halts with INIT and DONE driven Low.

The MultiBoot image can reside at any address specified in GENERAL1,2. This image has three “strikes” allotted to it. If an error is detected, the strike count increments and configuration will restart at the address specified in GENERAL1,2 if the count is less than 3 and RESET_ON_ERROR is 1. If the count hits 3, configuration moves to the fallback bitstream located at GENERAL3,4. There are two ways to clear the strike count: power cycle the FPGA or pulse the PROGRAM_B pin.

The fallback (or golden) image can reside at any address specified in GENERAL3,4. This image has 3 strikes allotted to it. If an error is detected, the strike count increments and configuration will restart at the address specified in GENERAL3,4 if the count is less than 6. The value is 6 because it shares the strike counter with the MultiBoot image. If the count reaches 6, configuration boots back to zero, where the header image is located. When this occurs, configuration will attempt both the MultiBoot image and the fallback image three more times before halting configuration. This results in a strike count of 9.

After successful fallback reconfiguration, the user design should readback the STATUS or BOOTSTS registers to verify the fallback was successful. Successful fallback configuration maintains the strike count register, and a subsequent soft reboot uses the address stored in GENERAL3,4 (the golden image). There are two ways to clear the strike count: perform a hard reboot (pulse the PROGRAM_B pin) or cycle power.

If fallback reconfiguration exhausts all three strikes out, configuration stops and both INIT_B and DONE are held Low.

Fallback is disabled if AES is enabled and for Slave configuration mode.

IPROG Reconfiguration

The IPROG (internal PROGRAM_B) command has similar effect as a pulsing PROGRAM_B pin, except IPROG does not reset the dedicated reconfiguration logic. The start address set in GENERAL1,2 is used during reconfiguration instead of the default address (zero). The fallback (golden) bitstream address is set in GENERAL3,4. The IPROG command can be sent through ICAP_SPARTAN6 or the bitstream.

Reboot Using ICAP_SPARTAN6

The IPROG command can also be sent using the ICAP_SPARTAN6 primitive. After a successful configuration, the user design determines the start address of the MultiBoot bitstream, and sets the GENERAL1,2 registers, and then issues an IPROG command using ICAP.

The sequence of commands is:

1. Send the Sync word.
2. Program the GENERAL1,2 registers for the next bitstream start address and the non-volatile device opcode for a read operation. Also program the GENERAL3,4 registers for the fallback (golden) bitstream start address and the opcode for the non-volatile device for a read operation.
3. Send the IPROG command.

Table 7-1 shows an example bitstream for the IPROG command using ICAP.

Table 7-1: Example Bitstream for IPROG through ICAP

Configuration Data (hex) ⁽¹⁾	Explanation
FFFF	Dummy Word
AA99	Sync Word
5566	Sync Word
3261	Type 1 Write 1 Words to GENERAL_1
XXXX	MultiBoot Start Address [15:0]
3281	Type 1 Write 1 Word to GENERAL2 ⁽²⁾
XXXX	Opcode and MultiBoot Start Address [23:16]
32A1	Type 1 Write 1 Word to GENERAL3
XXXX	Fallback Start Address [15:0]
32C1	Type 1 Write 1 Word to GENERAL4 ⁽²⁾
XXXX	Opcode and Fallback Start Address [23:16]
30A1	Type 1 Write 1 Word to CMD
000E	IPROG Command
2000	Type 1 NO OP

Notes:

1. SelectMAP 16-bit data ordering applies to the ICAP data bus. See Table 2-5, page 39 for proper bit ordering.
2. The eight most significant bits of GENERAL2 and GENERAL4 registers represent the opcode for the read instruction for the non-volatile storage device. Consult the data sheet of the storage device for the proper opcode. Common codes are 0x0B, 0x3B, and 0x6B for Fast Read, Dual Fast Read, and Quad Fast Read, respectively.

After the configuration logic receives the IPROG command, the FPGA resets everything except the dedicated reconfiguration logic, and the INIT_B and DONE pins go Low. After the FPGA clears all configuration memory, INIT_B goes High again. Then the value in GENERAL1,2 is used for the bitstream starting address.

Status Register for Fallback and IPROG Reconfiguration

Spartan-6 devices contain a BOOTSTS that stores configuration history. At EOS or an error condition, Status_0 is updated with the current status. If fallback or MultiBoot occurs, Status_1 is updated at EOS or an error condition. The Valid_0 bit indicates if the rest of Status_0 is valid or not. The BOOTSTS register is written either at an End Of Startup (EOS) event or a fallback event. The EOS event happens after the first configuration attempt. A successful MultiBoot operation via the IPROG command does not result in the BOOTSTS register being updated. See [Boot History Status Register \(BOOTSTS\)](#), page 104.

Table 7-2 through Table 7-4 show the BOOTSTS values in some common situations.

Table 7-2: Status after First Bitstream Configuration without Error

	CRC_ERROR	ID_ERROR	WTO_ERROR	IPROG	FALLBACK	VALID
Status_1	0	0	0	0	0	0
Status_0	0	0	0	0	0	1

Table 7-3: First Configuration followed by IPROG

	CRC_ERROR	ID_ERROR	WTO_ERROR	IPROG	FALLBACK	VALID
Status_1	0	0	0	0	0	1
Status_0	0	0	0	1	0	1

Table 7-4: IPROG Embedded in First Bitstream, Second Bitstream CRC Error, and Fallback Successfully

	CRC_ERROR ⁽¹⁾	ID_ERROR	WTO_ERROR	IPROG	FALLBACK	VALID
Status_1 ⁽²⁾	0	0	0	1	1	1
Status_0 ⁽³⁾	1	0	0	1	0	1

Notes:

1. CRC_Error only registers CRC errors detected during initial configuration. CRC_Error is not updated if CRC errors are found from the Readback CRC (POST_CRC) function.
2. Status_1 shows a fallback bitstream was loaded successfully. The IPROG bit was also set in this case, because the fallback bitstream contains an IPROG command. Although the IPROG command is ignored during fallback, the status still records this occurrence.
3. Status_0 shows IPROG was attempted, and a CRC_ERROR was detected for that bitstream.

Watchdog Timer

The Spartan-6 FPGA watchdog timer is used to monitor detection of the sync word. When the watchdog timer times out, the configuration logic increments the strike count and attempts to reconfigure if the BitGen option **-g Reset_On_Err** is Yes and the maximum strike limit has not been reached. The [Fallback MultiBoot](#) section provides more details.

The watchdog timer uses the same clock source as the configuration clock. The watchdog counter limit is configurable by setting the Configuration WatchDog Timer (CWDT)

register or setting the BitGen option **TIMER_CFG**. The default is 64k clock cycles, and the minimum value is 16h'0201.

The watchdog timer cannot be disabled by the user. The watchdog timer is disabled during and after fallback reconfiguration.

Required Data Spacing between MultiBoot Images

Spartan-6 FPGA MultiBoot addressing is flexible enough to allow a bitstream to begin at any byte boundary. However, there are a few practical limitations, based on specific application requirements.

Flash Sector, Block, or Page Boundaries

Spartan-6 FPGAs load MultiBoot configuration images from an external flash PROM. All flash PROMs have an internal memory architecture that arranges the memory into sectors, blocks, or pages. Nearly all PROMs have multiple sectors. Some architectures provide additional granularity, splitting a sector into smaller blocks, or even smaller still, pages.

Ideally, a Spartan-6 FPGA MultiBoot configuration image should be aligned to a sector, block, or page boundary. The specific requirement depends on the flash PROM architecture. If the smallest erasable element in the flash PROM is a sector, then the FPGA bitstream must be aligned to a sector boundary. This way, one FPGA bitstream can be updated without affecting others in the PROM.

Additional Memory Space Required for LCK_Cycle

A Spartan-6 FPGA application can contain one or more digital clock managers (DCMs) or phase-locked loops (PLLs). The LCK_Cycle BitGen setting determines if, during configuration, the FPGA waits for all of the clock elements to acquire and lock to their respective input clock frequency before allowing the FPGA to finish the configuration process. The lock time, which is specified in [DS162](#), *Spartan-6 FPGA Data Sheet: DC and Switching Characteristics*, depends on the DCM or PLL mode, and the input clock frequency.

Even if the FPGA is waiting for one or more clock elements to lock before completing configuration, the FPGA's configuration controller continues searching for the next synchronization word. If two adjacent MultiBoot images are placed with one immediately following the other and the first FPGA bitstream contains a DCM or PLL with the LCK_Cycle option set, then potential configuration problems can occur. If the controller sees the synchronization word in the second FPGA bitstream before completing the current configuration, it starts interpreting data from the second bitstream. However, the FPGA's configuration logic can complete the current configuration even though the FPGA has read data from the second bitstream. If this condition applies to a design, sufficient spacing must exist between bitstreams.

Readback CRC

Spartan®-6 devices include a feature to perform continuous readback of configuration data in the background of a user design. This feature is aimed at simplifying detection of single event upsets (SEUs) that cause a configuration memory bit to flip. Detected failures appear either on a device pin (INIT_B) and/or on an internally accessible component, POST_CRC_INTERNAL. The clock source of the readback can be external or internally generated.

Caution! Continuous readback of configuration data using the built-in post-configuration CRC checking (POST_CRC) or configuration frame read operations using ICAP can increase jitter on SelectIO or GTP I/O. Increased jitter lowers the link margin and can cause bit errors. This issue is limited to Spartan-6 devices. The Soft Error Mitigation IP core includes a workaround for this issue. See [UG764](#), *LogiCORE IP Soft Error Mitigation Controller User Guide* for more information.

The expected “golden” CRC value is calculated by the software and written into the FPGA for later comparison. The subsequent scans of Readback CRC value are compared against the golden value. When a CRC mismatch is found, the CRCERROR pin of the POST_CRC_INTERNAL primitive is driven High, the INIT_B pin is driven Low, and the DONE pin remains High. The CONFIG user primitive attribute POST_CRC_INIT_FLAG can be optionally set to DISABLE to disable INIT_B as a Readback CRC flag. The error flag remains High until cleared.

Readback CRC is halted and the error flag cleared when:

- SYNC or DESYNC word is detected.
- JTAG TAP controller is reset.
- Abort is triggered through Slave SelectMAP or ICAP access.
- IPROG (internal program) command is received.
- Suspend mode is enabled.
- The device is in shutdown mode, such as readback shutdown, JSHUTDOWN, or ISC_ENABLE.

The Readback CRC automatically stops without affecting the user configuration access, and the error flag is cleared. When the user exits the condition that halted the readback, the golden value CRC is recalculated and automatically resumes if POST_CRC is set to ENABLE.

Readback CRC logic runs under these conditions:

- The FPGA has started up successfully, as indicated by the DONE pin going High.
- Any configuration operation must finish with a DESYNC command to release the configuration logic. If a DESYNC command is not issued, the readback CRC logic cannot access the configuration logic and cannot run.

- In addition, the JTAG instruction register (IR) must not contain any configuration instructions (CFG_IN, CFG_OUT, or ISC_ENABLE). When these instructions are present, at any time, the readback CRC logic can not access the configuration logic and cannot run. Any configuration operation performed via the JTAG interface should finish by loading the IR with a value other than these three configuration instructions.

These dynamically changeable memory locations are masked during background readback:

- Look-up tables (LUTs) configured as distributed RAM or shift registers are not checked. In Spartan-6 FPGAs, only SLICEMs can be configured as these memory elements. Due to the granularity of the LUT masking, any LUTs in the same vertical alignment as a LUTRAM or SRL16 in a given frame are not checked. To ensure maximum coverage of the readback CRC, these LUTs used as memories must be kept in separate frames from the LUTs used for logic.
- Block RAM content is dynamic, so it is not expected to be the same as the initial configuration; therefore, these elements are not checked.
- Use of the PLL DRP is not masked; therefore, any change to the PLL results in a CRC error.
- The I/O interface DRP at the top and bottom can be masked; however, LUTs for CLBs in the same frame are also masked. Similarly, masking LUTs in the top or bottom frame will also mask the I/O interface.

CRC Masking

Configuration data is organized into frames. Each frame of data configures portions of multiple configurable logic blocks (CLBs), and multiple frames are needed to configure a single CLB. The granularity of masking for the Spartan-6 FPGA is at a single frame that spans several CLBs. To understand the coverage of the CRC, it is necessary to understand the masking details. Three masking scenarios are presented:

- CLBs containing LUTs configured as distributed RAM
- CLBs near top or bottom IOI DRP
- CLBs near top or bottom IOI DRP with LUT configured as distributed RAM

Note: Distributed RAM is a LUT configured as a distributed RAM or a shift register.

CLB with LUT Configured as Distributed RAM or Shift Register

Only the SLICEM contains LUTs capable of being configured as distributed RAM. The architecture of Spartan-6 FPGAs pairs a SLICEM with a SLICEX in a CLB alternating with a CLB comprised of a SLICEL with a SLICEX. For more information on CLB composition, see [UG384](#), *Spartan-6 FPGA Configurable Logic Block User Guide*. A frame of data spans 16 CLBs, which includes 64 LUTs. For simplification, LUT6 (created using two LUT5 components) are shown in [Figure 8-1](#) to demonstrate the frame data association with the CLB.

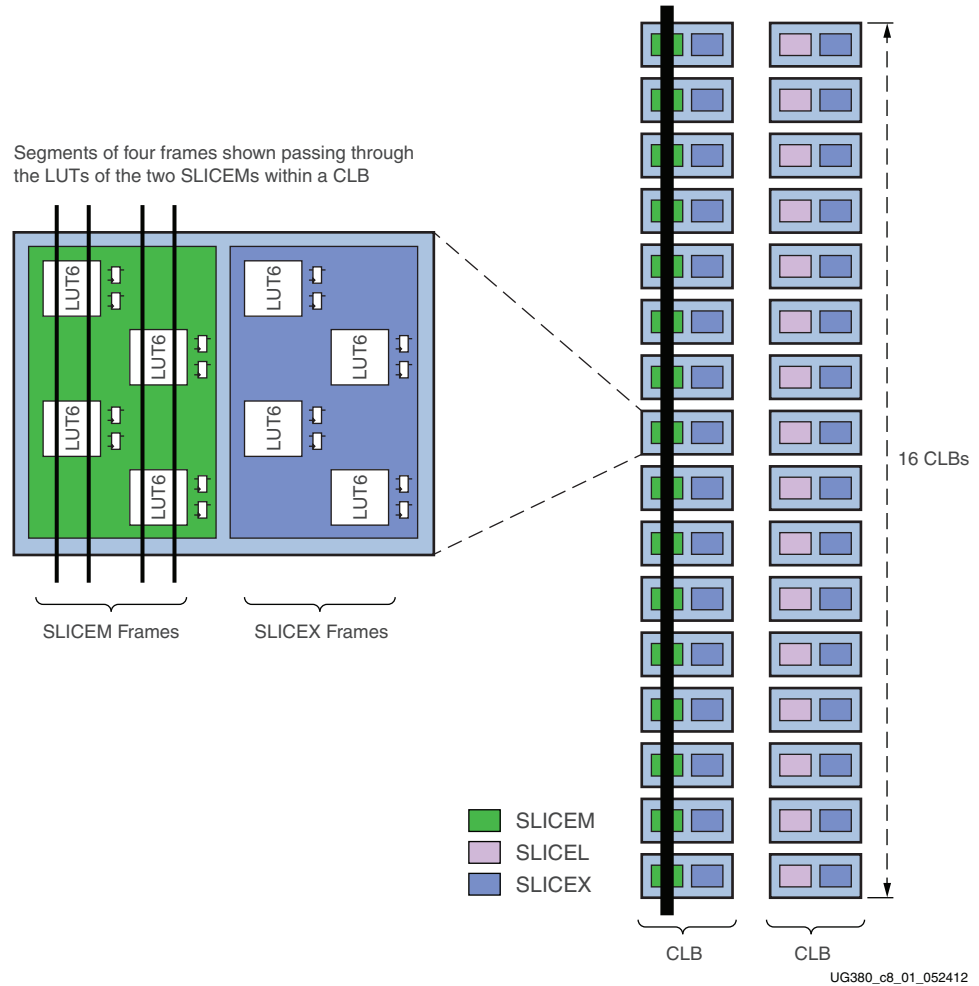


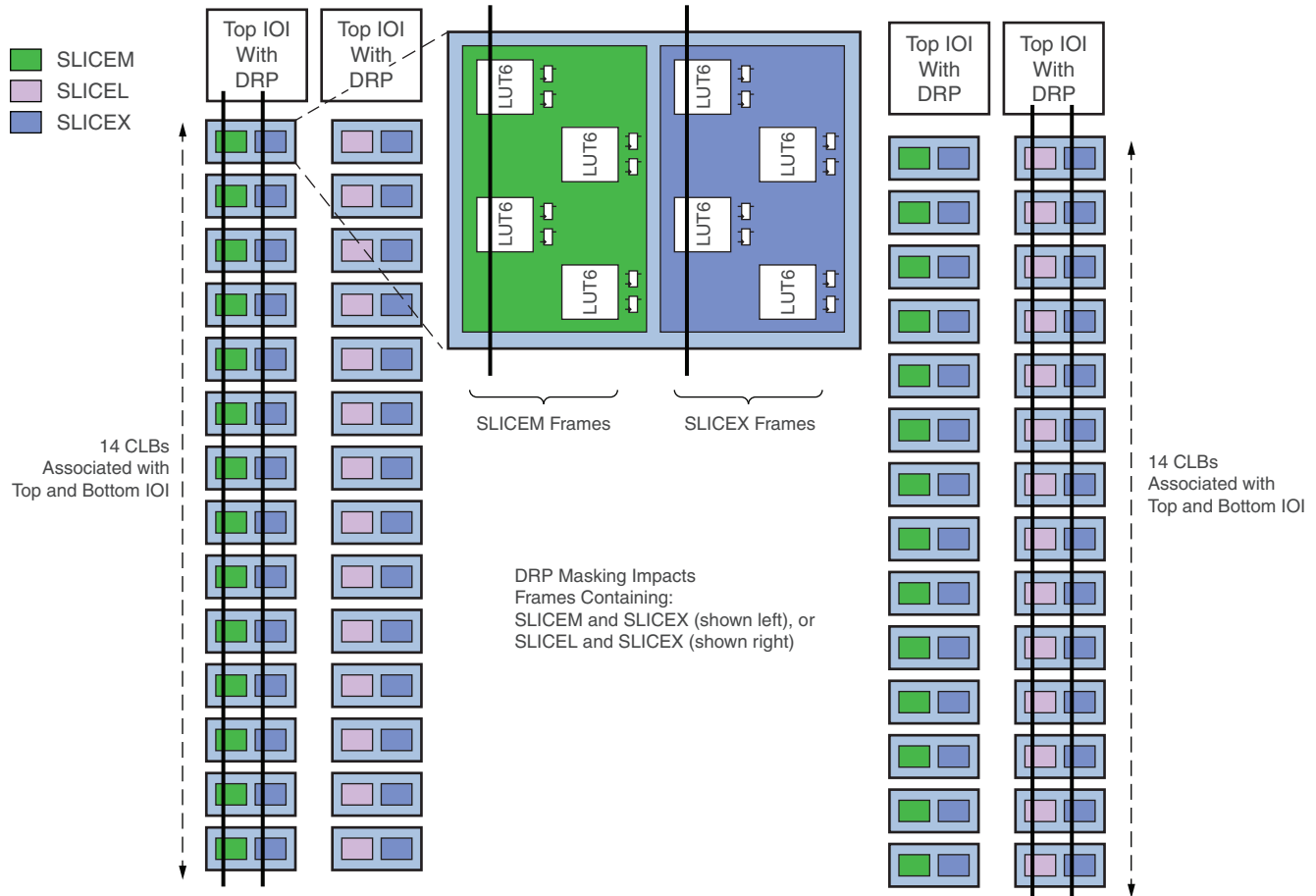
Figure 8-1: CLB Frame Masking with Distributed RAM

There are two types of CLBs, those containing SLICEM, which are able to configure as distributed RAM, and those containing SLICEL, which cannot. SLICEM CLBs are the only type that are masked in this scenario.

When a single LUT is configured as a distributed RAM, the 15 adjacent CLBs sharing the same frame must be masked. Consequently, to maximize coverage of the CRC, it is recommended to constrain LUTs configured as distributed RAM to frame boundaries. This limits the amount of masking performed by BitGen and therefore increases the CRC coverage.

CLBs Near Top or Bottom IOI Using DRP

Using IOI with DRP requires additional masking because the IOI configuration data is now reconfigurable during user operation. The organization of the IOI data in frames also encompasses the 14 adjacent CLBs shown in Figure 8-2.



UG380_c8_02_121212

Figure 8-2: CLB Masking with IOI DRP Enabled

CLBs Near Top or Bottom IOI DRP with LUTs Configured as Distributed RAM

Using IOI with DRP in addition to LUTs configured as distributed RAM results in masking that is a combination of the two scenarios above and results in five frames being masked, as shown in [Figure 8-3](#).

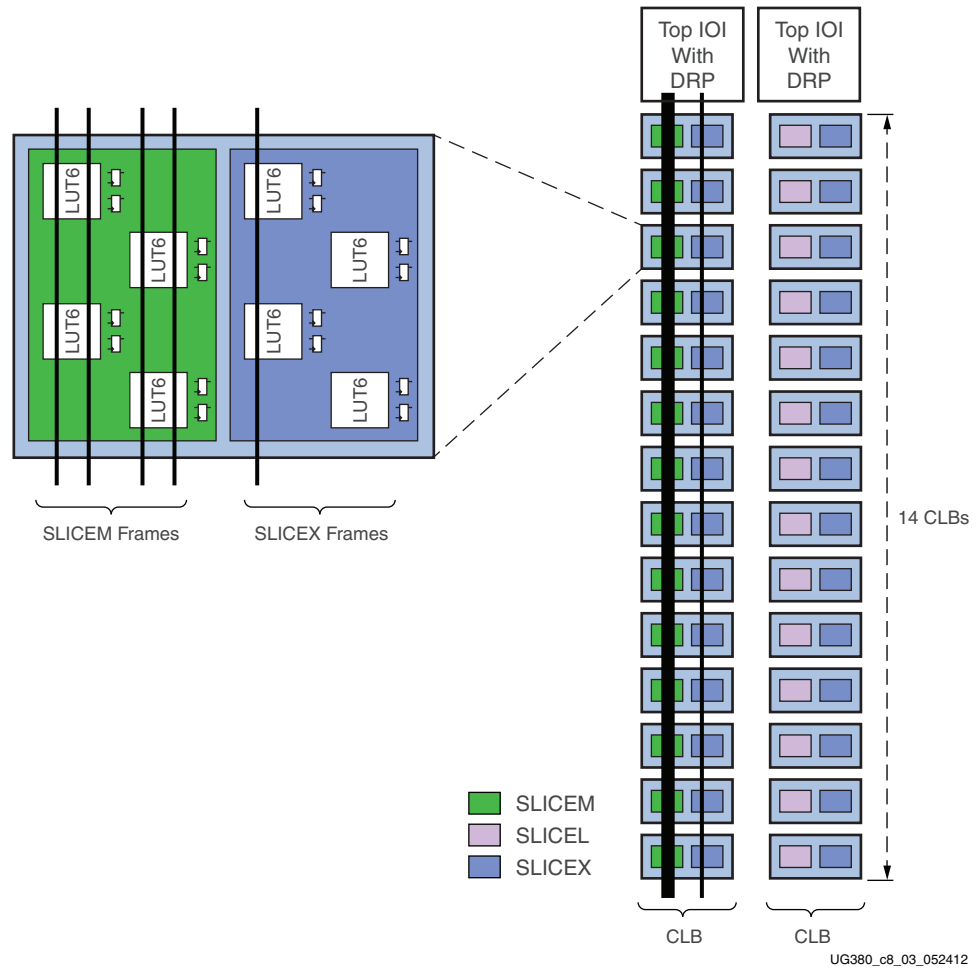


Figure 8-3: CLB Masking with Both Distributed RAM and IOI DRP Enabled

Readback CRC runs on different clock sources in different modes as indicated in [Table 8-1](#).

Table 8-1: Readback CRC Clock Sources

ICAP Primitive	Master Modes	Slave Modes	JTAG Mode	Clock Source
Instantiated	x	x	x	CLK input of the ICAP primitive
Not Instantiated	Yes	No	No	Internal oscillator with frequency constrained by configuration constraint POST_CRC_FREQ
Not Instantiated	No	Yes	No	CCLK pin input
Not Instantiated	No	No	Yes	Internal oscillator with frequency constrained by configuration constraint POST_CRC_FREQ

Because JTAG has the highest priority in the configuration mode, it takes over the configuration bus whenever it needs to. The JTAG Instruction Register must not be parked at the CFG_IN, CFG_OUT, or ISC_ENABLE instructions.

Post_CRC Constraints

There are several Spartan-6 FPGA constraints used for signaling SEU events. All constraints have the same propagation rule. They are placed as an attribute on the CONFIG block, then propagated to the physical design object.

POST_CRC

POST_CRC enables the readback CRC feature in the FPGA. It uses the POST_CRC_INTERNAL primitive's CRCERROR pin for signaling SEU events. By default, INIT is reserved as an SEU CRC error indicator but can be disabled by setting the POST_CRC_INIT_FLAG constraint.

The POST_CRC constraint is the best way to convey this information. It attaches to the CONFIG constraint. POST_CRC can be used by PAR and BitGen to reserve the INIT pin by not programming the IOB to drive the INIT pin.

POST_CRC can take two values:

- ENABLE
SEU detection is enabled.
- DISABLE
SEU detection is disabled.

POST_CRC_INIT_FLAG

POST_CRC_INIT_FLAG determines whether the Spartan-6 FPGA INIT_B pin is a source of the SEU error signal. Whether or not the INIT_B pin is used as the error signal, it cannot be used as user I/O when POST_CRC is enabled.

During configuration, the INIT pin operates normally. After configuration, if SEU analysis is enabled and INIT is reserved, the INIT pin (default) serves as an SEU status pin. An SEU is detected when a comparison of the real-time computed CRC differs from the pre-computed CRC, the CRCERROR pin is driven High, and the INIT pin is driven Low.

POST_CRC_INIT_FLAG is used to disable the INIT_B pin from acting as the readback CRC error status output pin. The error condition is still available from the POST_CRC_INTERNAL site.

POST_CRC_INIT_FLAG can take two values:

- ENABLE
The INIT_B pin is used as an indicator of the SEU error signal (default).
- DISABLE
INIT_B is not used as an indicator of the SEU error signal. The error condition is only available via POST_CRC_INTERNAL primitive.

POST_CRC_SOURCE

POST_CRC_SOURCE determines the source of the golden CRC value.

POST_CRC_SOURCE can take two values:

- **PRE_COMPUTED**
BitGen calculates the CRC value and stores it in the FPGA. All CRC checks are compared against this value (default).
- **FIRST_READBACK**
After successful configuration, the CRC logic runs in the FPGA and stores the first calculated CRC value. All subsequent CRC checks are compared against this value.

POST_CRC_ACTION

POST_CRC_ACTION determines the behavior of the Readback CRC feature after a CRC error is detected.

POST_CRC_ACTION can take two values:

- **HALT**
Once a CRC error is detected, do not perform any further readback CRC testing. After the error is cleared, the CRC testing resumes (default).
- **CONTINUE**
Once a CRC error is detected, issue the error flag but continue to perform testing.

POST_CRC_FREQ

POST_CRC_FREQ determines the frequency of the internally generated clock to the Readback CRC logic.

POST_CRC_FREQ can take these values: 2, 4, 6, 10, 12, 16, 22, 26, 33, 40, and 50.

These values do not directly represent a specific frequency. See the *Spartan-6 FPGA Data Sheet: DC and Switching Characteristics* for the approximate frequency associated with each of these values.

Syntax Examples

This section lists the supported syntax examples for each constraint.

POST_CRC

UCF Syntax Example

```
CONFIG POST_CRC = [ENABLE|DISABLE]
```

POST_CRC_INIT_FLAG

UCF Syntax Example

```
CONFIG POST_CRC_INIT_FLAG = [ENABLE|DISABLE]
```

POST_CRC_SOURCE

UCF Syntax Example

```
CONFIG POST_CRC_SOURCE = [PRE_COMPUTED|FIRST_READBACK]
```

POST_CRC_ACTION

UCF Syntax Example

```
CONFIG POST_CRC_ACTION = [HALT|CONTINUE]
```

POST_CRC_FREQ

UCF Syntax Example

```
CONFIG POST_CRC_FREQ = [2|4|6|10|12|16|22|26|33|40|50]
```

Advanced Configuration Interfaces

Serial Daisy-Chains

Multiple Spartan®-6 devices can be configured from a single configuration source by arranging the devices in a serial daisy-chain. In a serial daisy-chain, devices receive their configuration data through their DIN pin, passing configuration data along to downstream devices through their DOUT pin. The device closest to the configuration data source is considered the most *upstream* device, while the device furthest from the configuration data source is considered the most *downstream* device.

In a serial daisy-chain, the configuration clock is typically provided by the most upstream device in Master Serial mode. All other devices are set for Slave Serial mode. [Figure 9-1](#) illustrates this configuration.

Another alternative is to use SPI mode for the first device. The daisy-chain data is still sent out through DOUT in SPI mode.

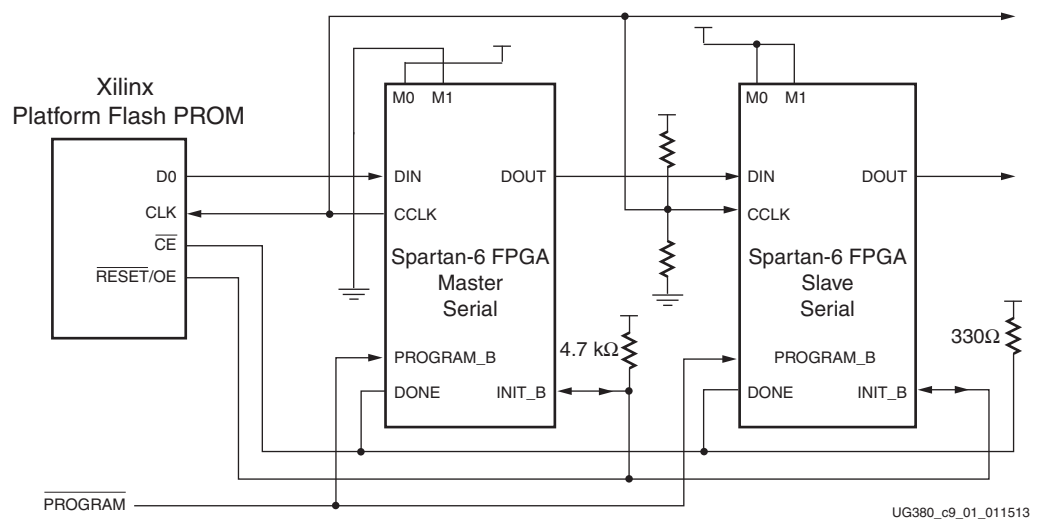


Figure 9-1: Master/Slave Serial Mode Daisy-Chain Configuration

Notes relevant to [Figure 9-1](#):

1. The DONE pin is by default an open-drain output requiring an external pull-up resistor. For all devices except the first, the active driver on DONE must be disabled. For the first device in the chain, the active driver on DONE can be enabled. See [Guidelines and Design Considerations for Serial Daisy-Chains](#).
2. The INIT_B pin is a bidirectional, open-drain pin. An external pull-up resistor is required.

3. The BitGen startup clock setting must be set for CCLK for serial configuration.
4. The PROM in this diagram represents one or more Xilinx® PROMs. Multiple Xilinx PROMs can be cascaded to increase the overall configuration storage capacity.
5. The BIT file must be reformatted into a PROM file before it can be stored on the Xilinx PROM.
6. The CCLK net requires Thevenin parallel termination. See [Board Layout for Configuration Clock \(CCLK\)](#), page 54.
7. Serial daisy-chains are specific to the Platform Flash (XCFxxS and XCFxxP) PROMs and SPI serial flash only.

The first device in a serial daisy-chain is the last to be configured. CRC checks only include the data for the current device, not for any others in the chain.

After the last device in the chain finishes configuration and passes its CRC check, it enters the Startup sequence. At the *Release DONE pin* phase in the Startup sequence, the device places its DONE pin in a High-Z state while the next to the last device in the chain is configured. After all devices release their DONE pins, the common DONE signal is either pulled High externally or driven High by the first device in the chain. On the next rising CCLK edge, all devices move out of the *Release DONE pin* phase and complete their startup sequences.

It is important that all DONE pins in a Slave Serial daisy-chain be connected. Only the first device in the serial daisy-chain should have the DONE active pull-up driver enabled. Enabling the DONE driver on downstream devices causes contention on the DONE signal.

If using SPI in a serial daisy-chain configuration, the slave FPGAs must be configured with a design prior to attempting to indirectly program the SPI flash through the master FPGA. Not doing so causes indirect programming to fail.

Mixed Serial Daisy-Chains

Spartan-6 devices can be daisy-chained with the Spartan-3, Virtex®-4, and Virtex-5 families. There are three important design considerations when designing a mixed serial daisy-chain:

- Many older FPGA devices cannot accept as fast a CCLK frequency as a Spartan-6 device can generate. Select a configuration CCLK speed supported by all devices in the chain.
- Spartan-6 devices should always be at the beginning of the serial daisy-chain, with older family devices located at the end of the chain.
- These device families have similar BitGen options. The guidelines provided for Spartan-6 FPGA BitGen options should be applied to all devices in a serial daisy-chain.
- The number of configuration bits that a device can pass through its DOUT pin is limited. This limit varies for different families ([Table 9-1](#)). The sum of the bitstream lengths for all downstream devices must not exceed the number in [Table 9-1](#) for each family.

Table 9-1: Maximum Number of Configuration Bits, Various Device Families

Architecture	Maximum DOUT Bits
Spartan-6, Spartan-3, Virtex-6, Virtex-5, Virtex-4, Virtex-II Pro, and Virtex-II Devices	$32 \times (2^{27} - 1) = 4,294,967,264$
Virtex, Virtex-E, Spartan-II, and Spartan-IIE Devices	$32 \times (2^{20} - 1) = 33,554,216$

Guidelines and Design Considerations for Serial Daisy-Chains

There are a number of important considerations for serial daisy-chains:

Startup Sequencing (GTS)

GTS should be released before DONE or during the same cycle as DONE to ensure the Spartan-6 device is operational when all DONE pins have been released.

Active DONE Driver

All devices except the first should disable the driver on the DONE pin (refer to the BitGen section of [UG628, Command Line Tools User Guide](#) for software settings). The first device in a chain is programmed last:

- DriveDone is disabled (all devices except the first)
- DriveDone is enabled (first device)

Alternatively, the driver can be disabled for all DONE pins and an external pull-up resistor can be added to pull the signal High after all devices have released it.

Connect All DONE Pins

It is important to connect the DONE pins for all devices in a serial daisy-chain. Failing to connect the DONE pins can cause configuration to fail. For debugging purposes, it is often helpful to have a way of disconnecting individual DONE pins from the common DONE signal, so that devices can be individually configured through the serial or JTAG interface.

DONE Pin Rise Time

After all DONE pins are released, the DONE pin should rise from logic 0 to logic 1 in one CCLK cycle. External pull-up resistors are required. If additional time is required for the DONE signal to rise, the BitGen **DonePipe** option can be set for all devices in the serial daisy-chain. (Refer to the BitGen section of [UG628, Command Line Tools User Guide](#) for software settings.)

Bitstream Formatting

Bitstreams must be customized to inform the FPGAs that more than one bitstream is being delivered and to cascade information to downstream devices. This must be done by using PROMGen, a PROM file formatting tool located within the iMPACT programming tool.

Ganged Serial Configuration

More than one device can be configured simultaneously from the same bitstream using a *ganged* serial configuration setup ([Figure 9-2](#)). In this arrangement, the serial configuration pins are tied together such that each device sees the same signal transitions. One device is

typically set for Master Serial mode (to drive CCLK) while the others are set for Slave Serial mode. For ganged serial configuration, all devices must be identical. Configuration can be driven from a configuration PROM or from an external configuration controller.

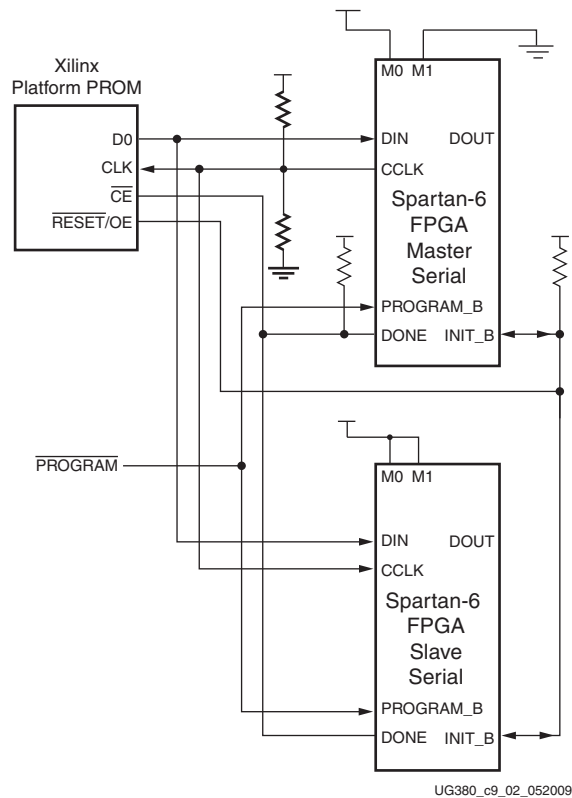


Figure 9-2: Ganged Serial Configuration

Notes relevant to [Figure 9-2](#):

1. For ganged serial configuration, the optional DONE driver must be disabled for all devices if one device is set for Master mode because each device might not start up on exactly the same CCLK cycle. An external pull-up resistor is required in this case.
2. The INIT_B pin is a bidirectional, open-drain pin. An external pull-up resistor is required.
3. The BitGen startup clock setting must be set for CCLK for serial configuration.
4. The PROM in this diagram represents one or more Xilinx PROMs. Multiple PROMs can be cascaded to increase the overall configuration storage capacity.
5. The BIT file must be reformatted into a PROM file before it can be stored on the PROM. Refer to the [Generating PROM Files, page 75](#) section.
6. On some Xilinx PROMs, the reset polarity is programmable. $\overline{\text{RESET}}$ should be configured as active Low when using this setup.
7. For ganged serial configuration, all devices must be identical (same IDCODE) and must be configured with the same bitstream.
8. The CCLK net requires Thevenin parallel termination. See [Board Layout for Configuration Clock \(CCLK\), page 54](#).

9. Ganged serial configuration is specific to the Platform Flash (XCFxxS and XCFxxP) PROMs and SPI serial flash only.
10. Fallback MultiBoot is not supported in this configuration.

There are a number of important considerations for ganged serial configuration:

- Startup sequencing (GTS)
GTS should be released before DONE or during the same cycle as DONE to ensure all devices are operational when all DONE pins have been released.
- Disable the active DONE driver for all devices
For ganged serial configuration, the active DONE driver must be disabled for all devices if the DONE pins are tied together, because there can be variations in the startup sequencing of each device. A pull-up resistor is therefore required on the common DONE signal.
`-g DriveDone:no` (BitGen option, all devices)
- Connect all DONE pins if using a Master device
It is important to connect the DONE pins for all devices in ganged serial configuration if one FPGA is used as the Master device. Failing to connect the DONE pins can cause configuration to fail for individual devices in this case. If all devices are set for Slave Serial mode, the DONE pins can be disconnected (if the external CCLK source continues toggling until all DONE pins go High).
For debugging purposes, it is often helpful to have a way of disconnecting individual DONE pins from the common DONE signal.
- DONE pin rise time
After all DONE pins are released, the DONE pin should rise from logic 0 to logic 1 in one CCLK cycle. If additional time is required for the DONE signal to rise, the BitGen `-g DonePipe` option can be set for all devices in the serial daisy-chain.
- Configuration Clock (CCLK) as the clock signal for board layout
The CCLK signal is relatively slow, but the edge rates on the Spartan-6 FPGA input buffers are very fast. Even minor signal integrity problems on the CCLK signal can cause the configuration to fail. (Typical failure mode: DONE Low and INIT_B High.) Therefore, design practices that focus on signal integrity, including signal integrity simulation with IBIS, are recommended.
- Signal fanout
Designers must focus on good signal integrity when using ganged serial configuration. Signal integrity simulation is recommended.
- PROM files for ganged serial configuration
PROM files for ganged serial configuration are identical to the PROM files used to configure single devices. There are no special PROM file considerations.

Multiple Device SelectMAP Configuration

Multiple Spartan-6 devices in Slave SelectMAP mode can be connected on a common SelectMAP bus (Figure 9-3). In a SelectMAP bus, the D, CCLK, RDWR_B, BUSY, PROGRAM_B, DONE, and INIT_B pins share a common connection between all of the devices. To allow each device to be accessed individually, the CSI_B (Chip Select) inputs must not be tied together. External control of the CSI_B signal is required and is usually provided by a microprocessor or CPLD.

If Readback is going to be performed on the device after configuration, the RDWR_B and BUSY signals must be handled appropriately. (For details, refer to [Chapter 6, Readback and Configuration Verification](#).)

Otherwise, RDWR_B can be tied Low and BUSY can be ignored. The BUSY signal never needs to be monitored when configuring Spartan-6 devices. Refer to [Bitstream Loading \(Steps 4-7\)](#), page 81 and to [Chapter 6, Readback and Configuration Verification](#).

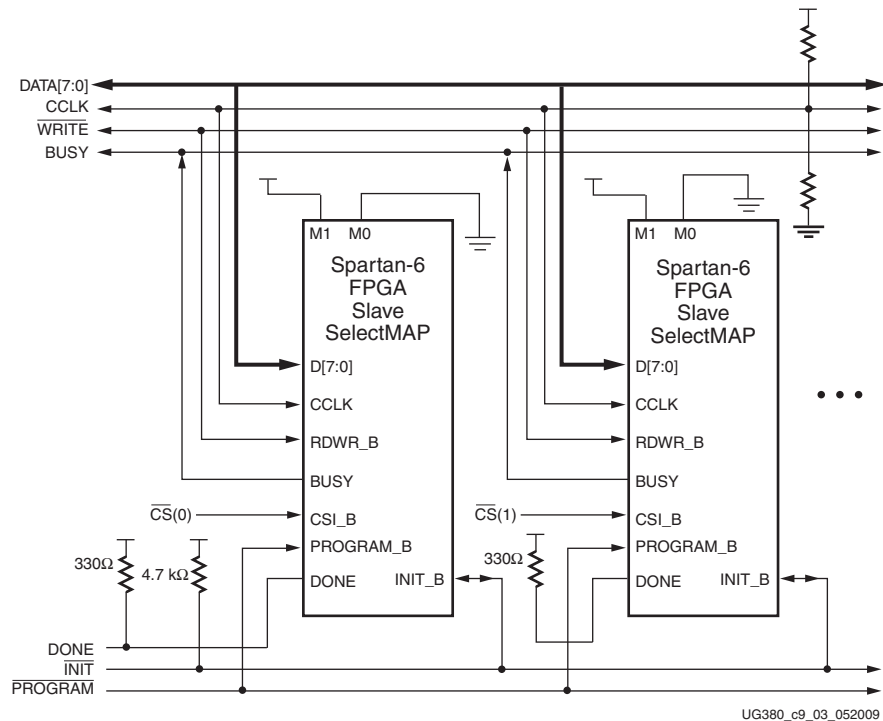


Figure 9-3: Multiple Slave Device Configuration on an 8-Bit SelectMAP Bus

Notes relevant to [Figure 9-3](#):

1. The DONE pin is by default an open-drain output requiring an external pull-up resistor. In this arrangement, the active DONE driver must be disabled.
2. The INIT_B pin is a bidirectional, open-drain pin. An external pull-up resistor is required.
3. The BitGen startup clock setting must be set for CCLK for SelectMAP configuration.
4. The BUSY signals can be left unconnected if readback is not needed.
5. An external controller such as a microprocessor or CPLD is needed to control configuration.
6. The CCLK net requires Thevenin parallel termination. See [Board Layout for Configuration Clock \(CCLK\)](#), page 54.
7. The data bus can be x8 or x16.

Parallel Daisy-Chain

Spartan-6 FPGA configuration supports parallel daisy-chains. Figure 9-4 shows an example schematic of the leading device in Master BPI configuration mode. The leading device can also be in Master or Slave SelectMAP modes. The D[15:0], CCLK, RDWR_B, PROGRAM_B, DONE, and INIT_B pins share a common connection between all of the devices. The CSI_B pins are daisy-chained.

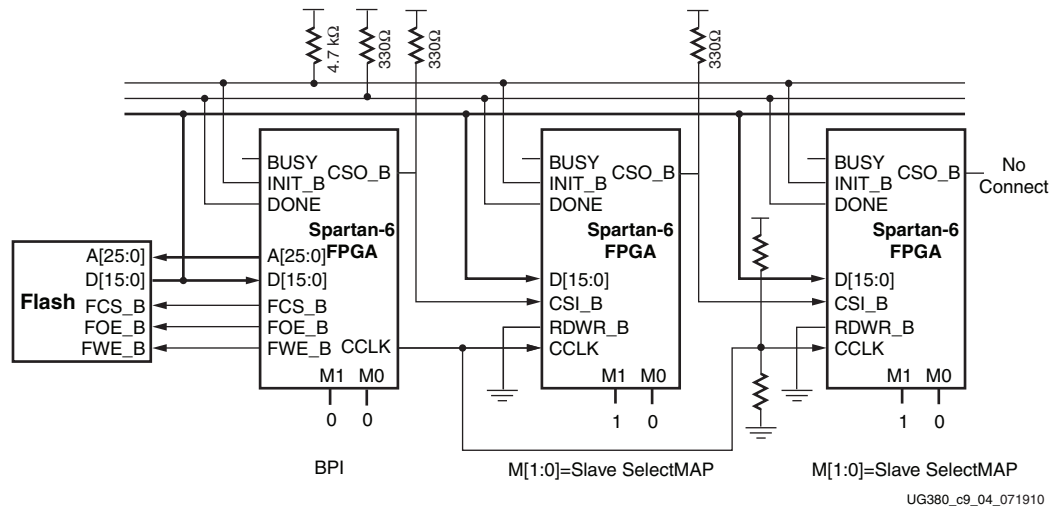


Figure 9-4: Parallel Daisy-Chain

Notes relevant to Figure 9-4:

1. The DONE pin is by default an open-drain output requiring an external pull-up resistor. In this arrangement, the active DONE driver must be disabled.
2. The INIT_B pin is a bidirectional, open-drain pin. An external pull-up is required.
3. The BitGen startup clock setting must be set for CCLK for SelectMAP configuration.
4. The BUSY signals can be left unconnected if readback is not needed.
5. The CCLK net requires Thevenin parallel termination. See [Board Layout for Configuration Clock \(CCLK\)](#).
6. The FCS_B, FWE_B, FOE_B, CSO_B weak pull-up resistors should be enabled, otherwise external pull-up resistors are required for each pin. By default, all dual-mode I/Os have weak pull-downs after configuration.
7. The first device in the chain can be Master SelectMAP, Slave SelectMAP, or BPI.
8. Readback in the parallel daisy-chain scheme is not supported.
9. AES decryption is not available in x16 mode, only in x8 mode.
10. Fallback MultiBoot is not supported in this configuration.

Ganged SelectMAP

It is also possible to configure simultaneously multiple devices with the same configuration bitstream by using a ganged SelectMAP configuration. In a ganged SelectMAP arrangement, the `CSL_B` pins of two or more devices are connected together (or tied to ground), causing all devices to recognize data presented on the `D` pins.

All devices can be set for Slave SelectMAP mode if an external oscillator is available, or one device can be designated as the Master device, as illustrated in [Figure 9-5](#).

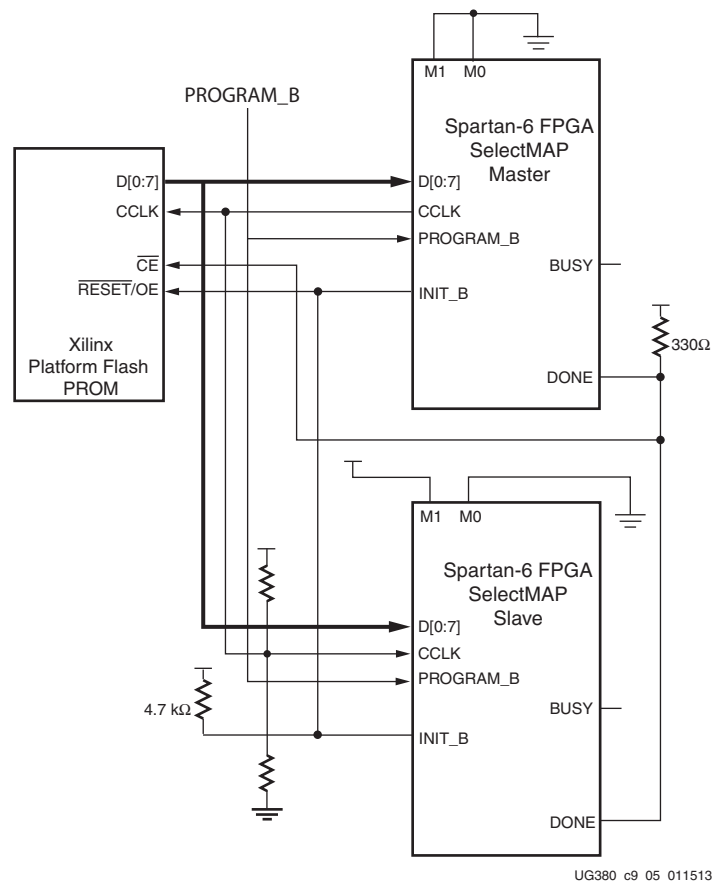


Figure 9-5: Ganged x8 SelectMAP Configuration

Notes relevant to [Figure 9-5](#):

1. The DONE pin is by default an open-drain output requiring an external pull-up resistor. In this arrangement, the active DONE driver must be disabled for both devices.
2. The INIT_B pin is a bidirectional, open-drain pin. An external pull-up resistor is required.
3. The BitGen startup clock setting must be set for CCLK for SelectMAP configuration.
4. The BUSY signal is not used for ganged SelectMAP configuration.
5. The PROM in this diagram represents one or more Xilinx PROMs. Multiple Xilinx PROMs can be cascaded to increase the overall configurations storage capacity.
6. The BIT file must be reformatted into a PROM file before it can be stored on the Xilinx PROM. Refer to the [Generating PROM Files, page 75](#).

7. The Xilinx PROM must be set for parallel mode. This mode is available on the XCFxxP devices.
8. When configuring a Spartan-6 device in SelectMAP mode from a Xilinx configuration PROM, the RDWR_B and CSI_B signals can be tied Low (see [SelectMAP Data Loading, page 35](#)).
9. Ganged SelectMAP configuration is specific to the Platform Flash XCFxxP PROM.
10. The CCLK net requires Thevenin parallel termination. See [Board Layout for Configuration Clock \(CCLK\), page 54](#).

If one device is designated as the Master, the DONE pins of all devices must be connected with the active DONE drivers disabled. An external pull-up resistor is required on the common DONE signal. Designers must carefully focus on signal integrity due to the increased fanout of the outputs from the PROM. Signal integrity simulation is recommended.

Readback is not possible if the CSI_B signals are tied together, because all devices simultaneously attempt to drive the D signals.

SelectMAP ABORT

An ABORT is an interruption in the SelectMAP configuration or readback sequence occurring when the state of RDWR_B changes while CSI_B is asserted. During a configuration ABORT, internal status is driven onto the D[7:4] pins over the next four CCLK cycles. The other D pins are always High. After the ABORT sequence finishes, the user can resynchronize the configuration logic and resume configuration. For applications that must deassert RDWR_B between bytes, see [Accessing Configuration Registers through the SelectMAP Interface, page 112](#).

Configuration Abort Sequence Description

An ABORT is signaled during configuration as follows:

1. The configuration sequence begins normally.
2. The user pulls the RDWR_B pin High while the device is selected (CSI_B asserted Low).
3. BUSY goes High if CSI_B remains asserted (Low). The FPGA drives the status word onto the data pins if RDWR_B remains set for read control (logic High).
4. The ABORT lasts for four clock cycles, and Status is updated.

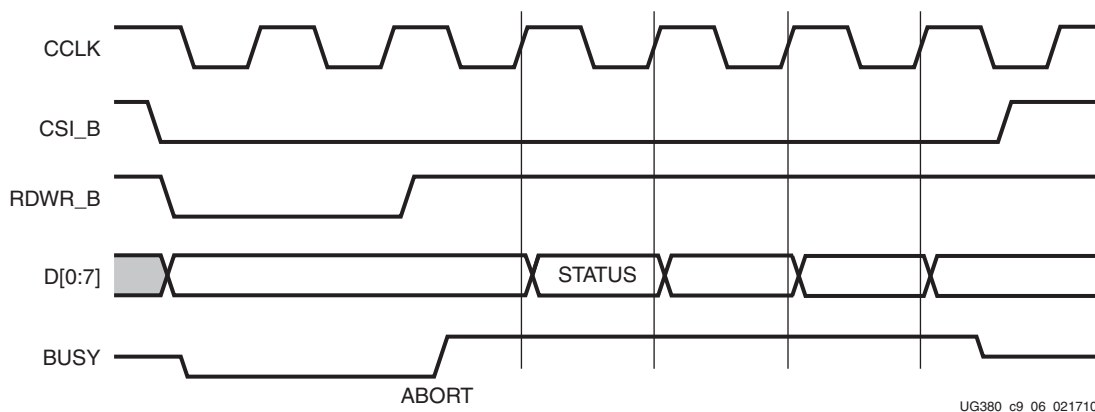


Figure 9-6: Configuration Abort Sequence for SelectMAP Modes

Readback Abort Sequence Description

An ABORT is signaled during readback as follows:

1. The readback sequence begins normally.
2. The user pulls the RDWR_B pin Low while the device is selected (CSI_B asserted Low).
3. BUSY goes High if CSI_B remains asserted (Low).
4. The ABORT ends when CSI_B is deasserted.

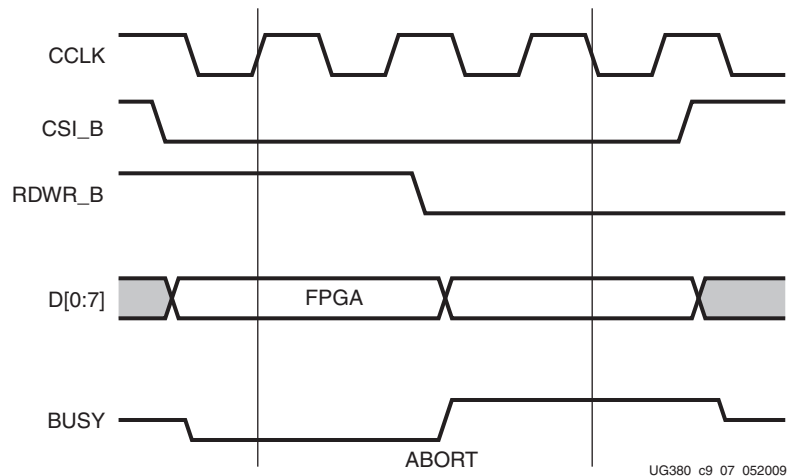


Figure 9-7: Readback Abort Sequence

ABORTs during readback are *not* followed by a status word because the RDWR_B signal is set for write control (FPGA D[x:0] pins are inputs).

ABORT Status Word

During the configuration ABORT sequence, the device drives a status word onto the D[7:0] pins. The status bits do not bit swap. The other data pins are always High. The key for that status word is given in Table 9-2.

Table 9-2: ABORT Status Word

Bit Number	Status Bit Name	Meaning
D7	CFGERR_B	Configuration error (active Low) 0 = A configuration error has occurred. 1 = No configuration error.
D6	DALIGN	Sync word received (active High) 0 = No sync word received. 1 = Sync word received by interface logic.
D5	RIP	Readback in progress (active High) 0 = No readback in progress. 1 = A readback is in progress.

Table 9-2: ABORT Status Word (Cont'd)

Bit Number	Status Bit Name	Meaning
D4	IN_ABORT_B	ABORT in progress (active Low) 0 = Abort is in progress. 1 = No abort in progress.
D3-D0	1111	Fixed to ones.

The ABORT sequence lasts four CCLK cycles. During those cycles, the status word changes to reflect data alignment and ABORT status. A typical sequence might be:

```

11011111 => DALIGN = 1,   IN_ABORT_B = 1
11001111 => DALIGN = 1,   IN_ABORT_B = 0
10001111 => DALIGN = 0,   IN_ABORT_B = 0
10011111 => DALIGN = 0,   IN_ABORT_B = 1

```

After the last cycle, the synchronization word can be reloaded to establish data alignment.

Resuming Configuration or Readback After an Abort

There are two ways to resume configuration or readback after an ABORT:

- The device can be resynchronized after the ABORT completes.
- The device can be reset by pulsing PROGRAM_B Low at any time.

To resynchronize the device, CSI_B must be deasserted then reasserted. Configuration or readback can be resumed by sending the last configuration or readback packet that was in progress when the ABORT occurred. Alternatively, configuration or readback can be restarted from the beginning.

SelectMAP Reconfiguration

The term *reconfiguration* refers to reprogramming an FPGA after its DONE pin has gone High. Reconfiguration can be initiated by pulsing the PROGRAM_B pin (this method is identical to configuration) or by resynchronizing the device and sending configuration data.

To reconfigure a device in SelectMAP mode without pulsing PROGRAM_B, the BitGen **-g Persist** option must be set—otherwise, the DATA pins become user I/O after configuration. Reconfiguration must be enabled in BitGen. See [Table 5-3](#) for a list of pins affected by Persist in the SelectMAP configuration mode.

Advanced JTAG Configurations

Introduction

Spartan®-6 devices support IEEE Std 1149.1. The Joint Test Action Group (JTAG) is the technical subcommittee responsible for developing IEEE Std 1149.1. This standard ensures the board-level integrity of individual components and the interconnections between them. The IEEE Std 1149.1 TAP and boundary-scan architecture is commonly referred to as JTAG. With multi-layer PC boards becoming increasingly dense and with more sophisticated surface mounting techniques in use, boundary-scan testing is becoming widely used as an important debugging tool.

Devices containing boundary-scan logic can send data out on I/O pins to test connections between devices at the board level. The circuitry can also be used to send signals internally to test the device-specific behavior. These tests are commonly used to detect opens and shorts at both the board and device level.

In addition to testing, boundary-scan offers the flexibility for a device to have its own set of user-defined instructions. The added, common, vendor-specific instructions, such as configure and verify, have increased the popularity of boundary-scan testing and functionality.

JTAG Configuration/Readback

TAP Controller and Architecture

The Spartan-6 FPGA TAP contains four mandatory dedicated pins as specified by the protocol given in [Table 3-1](#) and illustrated in [Figure 10-1](#), a typical JTAG architecture.

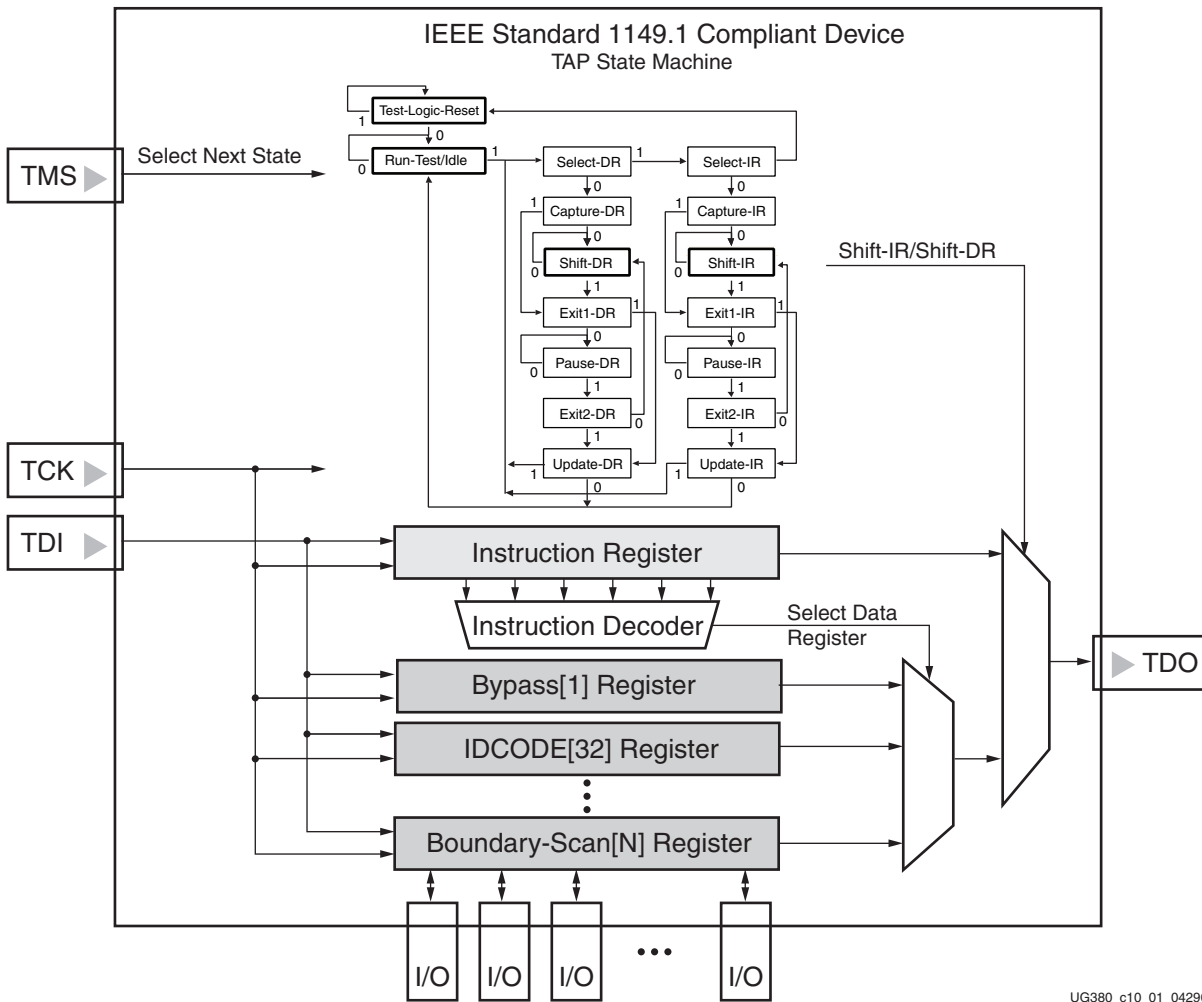


Figure 10-1: Typical JTAG Architecture

[Figure 10-1](#) diagrams a 16-state finite state machine. The four TAP pins control how data is scanned into the various registers. The state of the TMS pin at the rising edge of TCK determines the sequence of state transitions. There are two main sequences, one for shifting data into the data register and the other for shifting an instruction into the instruction register.

A transition between the states only occurs on the rising edge of TCK, and each state has a different name. The two vertical columns with seven states each represent the Instruction Path and the Datapath. The data registers operate in the states whose names end with "DR," and the instruction register operates in the states whose names end in "IR." The states are otherwise identical.

The operation of each state is described here:

Test-Logic-Reset:

All test logic is disabled in this controller state, enabling the normal operation of the IC. The TAP controller state machine is designed so that regardless of the initial state of the controller, the Test-Logic-Reset state can be entered by holding TMS High and pulsing TCK five times. Consequently, the Test Reset (TRST) pin is optional and not found on Xilinx® devices.

Run-Test-Idle:

In this controller state, the test logic in the IC is active only if certain instructions are present. For example, if an instruction activates the self test, then it is executed when the controller enters this state. The test logic in the IC is idle otherwise.

Select-DR-Scan:

This controller state controls whether to enter the Datapath or the Select-IR-Scan state.

Select-IR-Scan:

This controller state controls whether or not to enter the Instruction Path. The controller can return to the Test-Logic-Reset state otherwise.

Capture-IR:

In this controller state, the shift register bank in the Instruction Register parallel loads a pattern of fixed values on the rising edge of TCK. The last two significant bits must always be 01.

Shift-IR:

In this controller state, the instruction register gets connected between TDI and TDO, and the captured pattern gets shifted on each rising edge of TCK. The instruction available on the TDI pin is also shifted in to the instruction register.

Exit1-IR:

This controller state controls whether to enter the Pause-IR state or Update-IR state.

Pause-IR:

This state allows the shifting of the instruction register to be temporarily halted.

Exit2-DR:

This controller state controls whether to enter either the Shift-IR state or Update-IR state.

Update-IR:

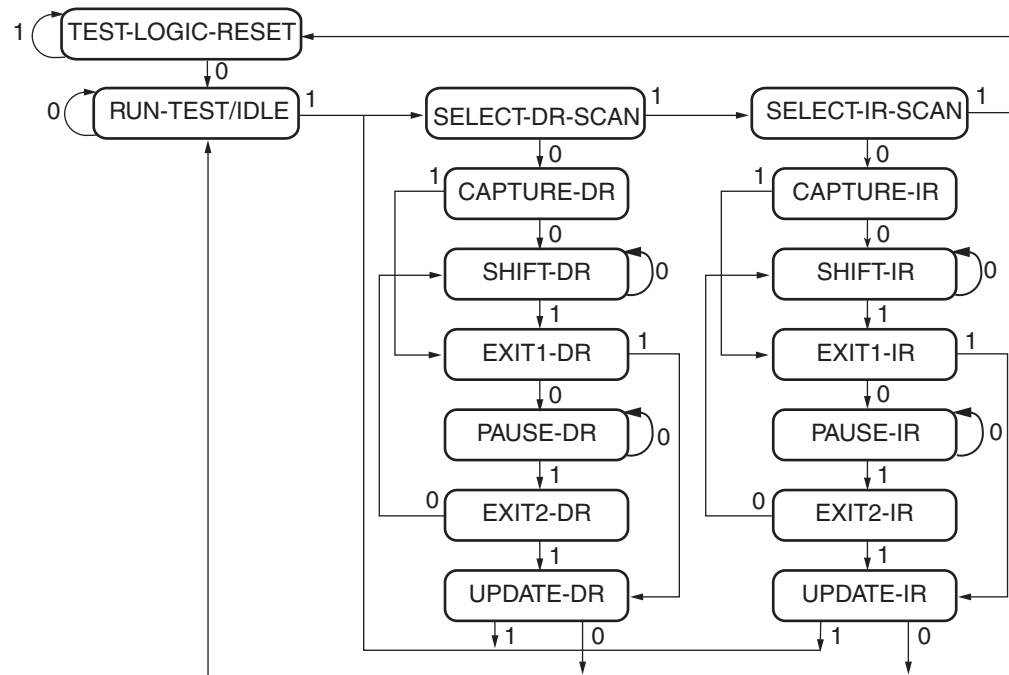
In this controller state, the instruction in the instruction register is latched to the latch bank of the Instruction Register on every falling edge of TCK. This instruction becomes the current instruction after it is latched.

Capture-DR:

In this controller state, the data is parallel-loaded into the data registers selected by the current instruction on the rising edge of TCK.

Shift-Dr, Exit1-DR, Pause-DR, Exit2-DR, and Update-DR:

These controller states are similar to the Shift-IR, Exit1-IR, Pause-IR, Exit2-IR, and Update-IR states in the Instruction path.



Note: The value shown adjacent to each state transition represents the signal present at TMS at the time of a rising edge at TCK.

UG380_c11_02_051109

Figure 10-2: Boundary-Scan TAP Controller

Spartan-6 devices support the mandatory IEEE Std 1149.1 commands as well as several Xilinx vendor-specific commands. The EXTEST, INTEST, SAMPLE, BYPASS, IDCODE, USERCODE, and HIGHZ instructions are all included. The TAP also supports internal user-defined registers (USER1, USER2, USER3, and USER4) and configuration/readback of the device.

The Spartan-6 FPGA boundary-scan operations are independent of mode selection. The boundary-scan mode in Spartan-6 devices overrides other mode selections. For this reason, boundary-scan instructions using the boundary-scan register (SAMPLE/PRELOAD, INTEST, and EXTEST) must not be performed during configuration. All instructions except the user-defined instructions are available before a Spartan-6 device is configured. After configuration, all instructions are available.

JSTART and JSHUTDOWN are instructions specific to the Spartan-6 architecture and configuration flow. In Spartan-6 devices, the TAP controller is not reset by the PROGRAM_B pin and can only be reset by bringing the controller to the TLR state. The TAP controller is reset on power up.

For details on the standard boundary-scan instructions EXTEST, INTEST, and BYPASS, refer to IEEE Std 1149.1.

Boundary-Scan Architecture

Spartan-6 device registers include all registers required by IEEE Std 1149.1. In addition to the standard registers, the family contains optional registers for simplified testing and verification (Table 10-1).

Table 10-1: Spartan-6 FPGA JTAG Registers

Register Name	Register Length	Description
Boundary-Scan Register	3 bits per I/O	Controls and observes input, output, and output enable
Instruction Register	6 bits	Holds current instruction opcode and captures internal device status
BYPASS Register	1 bit	Bypasses the device
Identification Register	32 bits	Captures the Device ID
JTAG Configuration Register	16 bits	Allows access to the configuration bus when using the CFG_IN or CFG_OUT instructions
USERCODE Register	32 bits	Captures the user-programmable code
User-Defined Registers (USER1, USER2, USER3, and USER4)	Design specific	Design specific

Boundary-Scan Register

The test primary data register is the boundary-scan register. Boundary-scan operation is independent of individual IOB configuration. Each IOB, bonded or unbonded, starts as bidirectional with 3-state control. Later, it can be configured to be an input, output, or 3-state only. Therefore, three data register bits are provided per IOB (Figure 10-1).

When conducting a data register (DR) operation, the DR captures data in a parallel fashion during the CAPTURE-DR state. The data is then shifted out and replaced by new data during the SHIFT-DR state. For each bit of the DR, an update latch is used to hold the input data stable during the next SHIFT-DR state. The data is then latched during the UPDATE-DR state when TCK is Low.

The update latch is opened each time the TAP controller enters the UPDATE-DR state. Care is necessary when exercising an INTEST or EXTEST to ensure that the proper data has been latched before exercising the command. This is typically accomplished by using the SAMPLE instruction.

Internal pull-up and pull-down resistors should be considered when test vectors are being developed for testing opens and shorts. The HSWAPEN pin determines whether the IOB has a pull-up resistor. Figure 10-3 is a representation of Spartan-6 FPGA boundary-scan architecture.

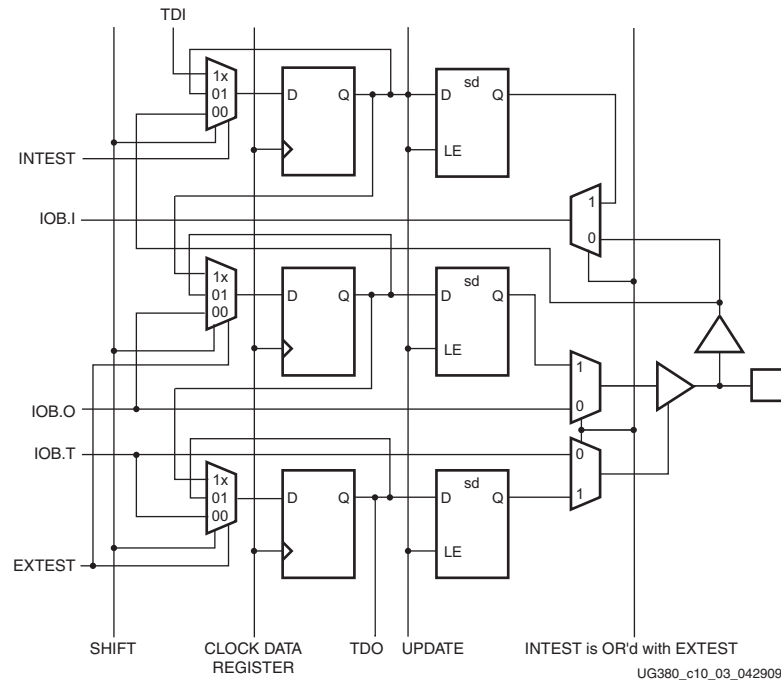


Figure 10-3: Spartan-6 FPGA Boundary-Scan Logic

Bit Sequence Boundary-Scan Register

The order of each non-TAP IOB is described in this section. The input is first, then the output, and finally the 3-state IOB control. The 3-state IOB control is closest to the TDO. The input-only pins contribute only the input bit to the boundary-scan I/O data register. The bit sequence of the device is obtainable from the *Boundary-Scan Description Language Files* (BSDL files) for the Spartan-6 family. (These files can be obtained from the Xilinx software download area.) The bit sequence always has the same bit order and the same number of bits and is independent of the design.

For boundary-scan testing with a configured FPGA, the Xilinx BSDLANno utility can be used to automatically modify the BSDL file for post-configuration interconnect testing. The BSDLANno utility obtains the necessary FPGA design information from the routed NCD file, and generates a BSDL file that reflects the post-configuration boundary-scan architecture of the device. For more information, see the *BSDLANno* chapter in [UG628, Command Line Tools User Guide](#).

Instruction Register

The Instruction Register (IR) for the Spartan-6 device is connected between TDI and TDO during an instruction scan sequence. In preparation for an instruction scan sequence, the instruction register is parallel-loaded with a fixed instruction capture pattern. This pattern is shifted out onto TDO (LSB first), while an instruction is shifted into the instruction register from TDI.

To invoke an operation, the desired opcode must be loaded into the Instruction Register (IR). The length of the instruction register varies by device type. However, the IR is 6 bits wide for all Spartan-6 FPGAs.

Table 10-2: Spartan-6 FPGA Boundary-Scan Instructions

Boundary-Scan Command	Instruction	Description
EXTEST	001111	Enables boundary-scan EXTEST operation.
SAMPLE	000001	Enables boundary-scan SAMPLE operation.
USER1	000010	Access user-defined register 1.
USER2	000011	Access user-defined register 2.
USER3	011010	User code that allows fabric access to/from the TAP controller from JTAG primitive instance 3.
USER4	011011	User code that allows fabric access to/from the TAP controller from JTAG primitive instance 4.
CFG_OUT	000100	Access the configuration bus for readback.
CFG_IN	000101	Access the configuration bus for configuration.
INTEST	000111	Enables boundary-scan INTEST operation.
USERCODE	001000	Enables shifting out user code.
IDCODE	001001	Enables shifting out of ID code.
HIGHZ	001010	3-state output pins while enabling BYPASS Register.
JPROGRAM	001011	Equivalent to and has the same effect as PROGRAM.
JSTART	001100	Clocks the startup sequence when Startup clock source is TCK (StartupClk:JtagClk).
JSHUTDOWN	001101	Clocks the shutdown sequence.
ISC_ENABLE	010000	Marks the beginning of ISC configuration. Full shutdown is executed.
ISC_PROGRAM	010001	Enables in-system programming.
ISC_NOOP	010100	No operation.
ISC_READ	010101	Used to read back battery-backed RAM.
ISC_DISABLE	010110	Completes ISC configuration. Startup sequence is executed.
ISC_DNA (ISC_FUSE_READ)	110000	Read Device DNA.
BYPASS	111111	Enables BYPASS.
RESERVED	All other codes	Xilinx reserved instructions.

Table 10-3 shows the instruction capture values loaded into the IR as part of an instruction scan sequence.

Table 10-3: Instruction Capture Values

TDI →	IR[5]	IR[4]	IR[3]	IR[2]	IR[1:0]	→ TDO
	DONE	INIT(1)	ISC_ENABLED	ISC_DONE	0 1	

BYPASS Register

The other standard data register is the single flip-flop BYPASS register. It passes data serially from the TDI pin to the TDO pin during a bypass instruction. This register is initialized to zero when the TAP controller is in the CAPTURE-DR state.

Identification (IDCODE) Register

Spartan-6 devices have a 32-bit identification register called the IDCODE register. The IDCODE is based on IEEE Std 1149.1 and is a fixed, vendor-assigned value that is used to identify electrically the manufacturer and the type of device that is being addressed. This register allows easy identification of the part being tested or programmed by boundary-scan, and it can be shifted out for examination by using the IDCODE instruction.

The last bit of the IDCODE is always 1 (based on JTAG IEEE 1149.1). The last three hex digits appear as 0x093. IDCODEs assigned to Spartan-6 FPGAs are shown in [Table 5-13](#).

JTAG Configuration Register

The JTAG Configuration register is a 16-bit register. This register allows access to the configuration bus and readback operations.

USERCODE Register

The USERCODE instruction is supported in the Spartan-6 family. This register allows a user to specify a design-specific identification code. The USERCODE can be programmed into the device and can be read back for verification later. The USERCODE is embedded into the bitstream during bitstream generation (BitGen **-g UserID** option) and is valid only after configuration. If the device is blank or the USERCODE was not programmed, the USERCODE register contains 0xFFFFFFFF.

USER1, USER2, USER3, and USER4 Registers

The USER1, USER2, USER3, and USER4 registers are only available after configuration. These four registers must be defined by the user within the design. These registers can be accessed after they are defined by the TAP pins.

The BSCAN_Spartan6 library macro is required when creating these registers. This symbol is only required for driving internal scan chains (USER1, USER2, USER3, and USER4).

A common input pin (TDI) and shared output pins represent the state of the TAP controller (RESET, SHIFT, and UPDATE). Spartan-6 FPGA TAP pins are dedicated and do not require the BSCAN_Spartan6 macro for normal boundary-scan instructions or operations. For HDL, the BSCAN_Spartan6 macro must be instantiated in the design.

Using Boundary-Scan in Spartan-6 Devices

Characterization data for some of the most commonly requested timing parameters shown in [Figure 10-4](#) is listed in the *Spartan-6 FPGA Data Sheet: DC and Switching Characteristics* in the Configuration Switching Characteristics table.

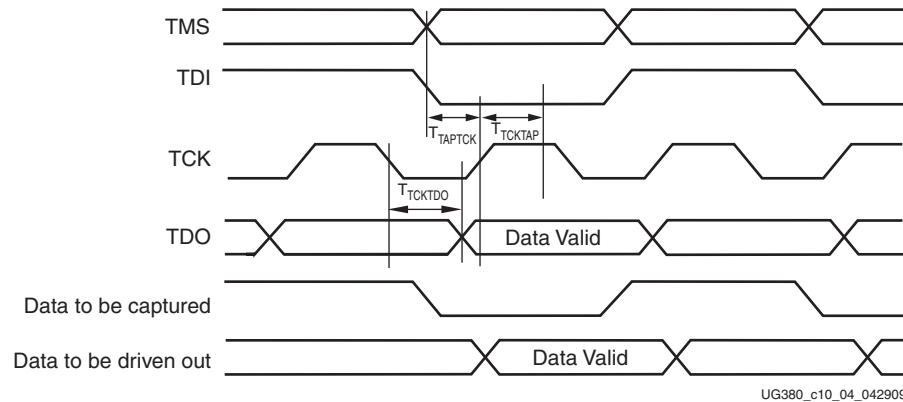


Figure 10-4: Spartan-6 FPGA Boundary-Scan Port Timing Waveforms

For further information on the startup sequence, bitstream, and internal configuration registers referenced here, refer to [Configuration Sequence in Chapter 5](#).

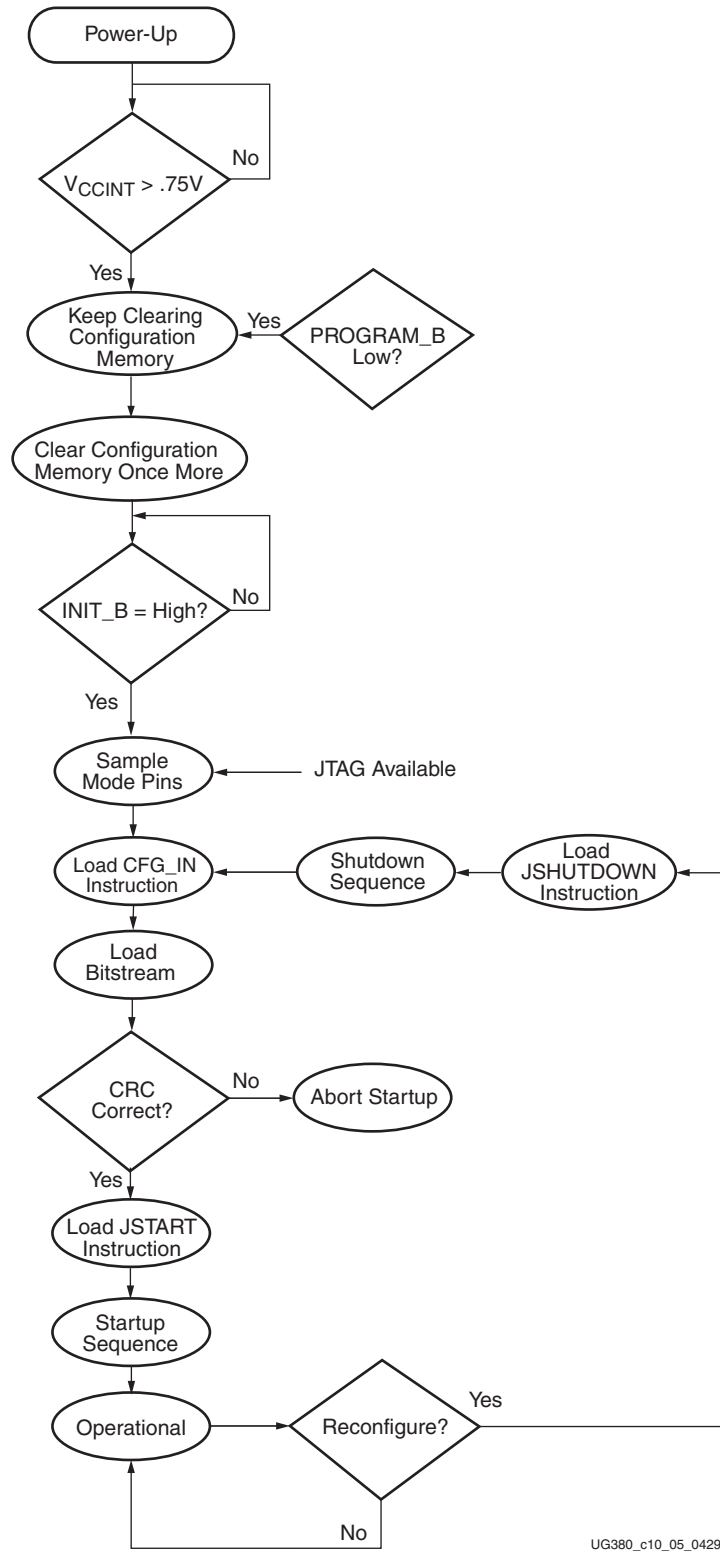
Configuring through Boundary-Scan

One of the most common boundary-scan vendor-specific instructions is the configure instruction.

The configuration flow for Spartan-6 device configuration with JTAG is shown in [Figure 10-5](#). The sections that follow describe how the Spartan-6 device can be configured as a single device through the boundary-scan or as part of a multiple-device scan chain.

A configured device can be reconfigured by toggling the TAP and entering a CFG_IN instruction after pulsing the PROGRAM_B pin or issuing the shut-down sequence. (See [Figure 10-5](#).)

Designers who wish to implement the Spartan-6 FPGA JTAG configuration algorithm are encouraged to use the SVF-based flow provided in [XAPP058, Xilinx In-System Programming Using an Embedded Microcontroller](#) and [XAPP424, Embedded JTAG ACE Player](#).



UG380_c10_05_042909

Figure 10-5: Device Configuration Flow Diagram

Single Device Configuration

Table 10-4 describes the TAP controller commands required to configure a Spartan-6 device. Refer to Figure 10-2 for TAP controller states. These TAP controller commands are issued automatically if configuring the part with the iMPACT software.

Table 10-4: Single Device Configuration Sequence

TAP Controller Step and Description		Set and Hold		# of Clocks
		TDI	TMS	TCK
1.	On power-up, place a logic 1 on the TMS, and clock the TCK five times. This ensures starting in the TLR (Test-Logic-Reset) state.	X	1	5
2.	Move into the RTI state.	X	0	1
3.	Move into the SELECT-IR state.	X	1	2
4.	Enter the SHIFT-IR state.	X	0	2
5.	Start loading the CFG_IN instruction, LSB first:	000101	0	5
6.	Load the MSB of CFG_IN instruction when exiting SHIFT-IR, as defined in the IEEE standard.	0	1	1
7.	Enter the SELECT-DR state.	X	1	2
8.	Enter the SHIFT-DR state.	X	0	2
9.	Shift in the Spartan-6 FPGA bitstream. Bit _n (MSB) is the first bit in the bitstream ⁽¹⁾ .	bit ₁ ... bit _n	0	(bits in bitstream)-1
10.	Shift in the last bit of the bitstream. Bit ₀ (LSB) shifts on the transition to EXIT1-DR.	bit ₀	1	1
11.	Enter the UPDATE-DR state.	X	1	1
12.	Move into the RTI state.	X	0	1
13.	Enter the SELECT-IR state.	X	1	2
14.	Move to the SHIFT-IR state.	X	0	2
15.	Start loading the JSTART instruction. The JSTART instruction initializes the startup sequence.	001100	0	5
16.	Load the last bit of the JSTART instruction.	0	1	1
17.	Move to the UPDATE-IR state.	X	1	1
18.	Move to the RTI state and clock the startup sequence by applying a minimum of 16 clock cycles to the TCK.	X	0	16
19.	Move to the TLR state. The device is now functional.	X	1	3

Notes:

1. In the Configuration Register, data is shifted in from the right (TDI) to the left (TDO), MSB first. (Shifts into the Configuration Register are different from shifts into the other registers in that they are MSB first.)

Multiple Device Configuration

It is possible to configure multiple Spartan-6 devices in a chain. (See Figure 10-6.) The devices in the JTAG chain are configured one at a time. The multiple device configuration steps can be applied to any size chain.

Refer to the state diagram in [Figure 10-1](#) for the following TAP controller steps:

1. On power-up, place a logic 1 on the TMS and clock the TCK five times. This ensures starting in the TLR (Test-Logic-Reset) state.
2. Load the CFG_IN instruction into the target device (and BYPASS in all other devices). Go through the RTI state (RUN-TEST/IDLE).
3. Load in the configuration bitstream per [step 7](#) through [step 11](#) in [Table 10-4](#).
4. Repeat [step 2](#) and [step 3](#) for each device.
5. Load the JSTART command into all devices.
6. Go to the RTI state and clock TCK 16 times.

All devices are active at this point.

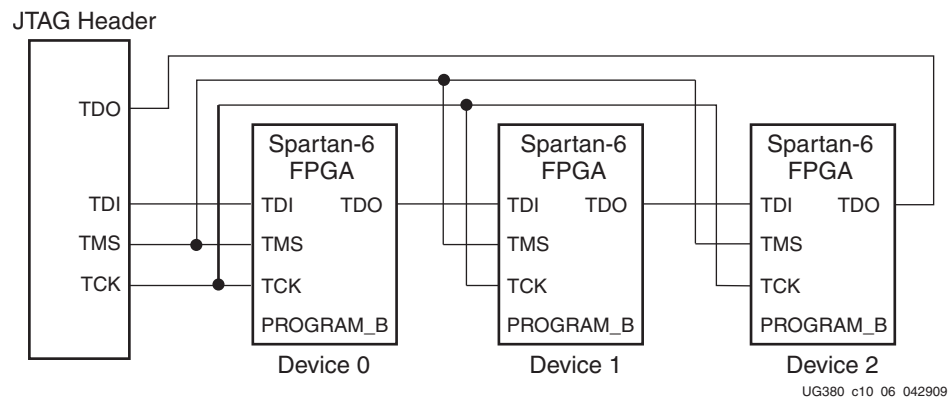


Figure 10-6: Boundary-Scan Chain of Devices

Clocking Startup and Shutdown Sequences (JTAG)

There are three clock sources for startup and shutdown sequence: CCLK, UserCLK, and JTAGCLK. Clock selection is set by BitGen. The startup sequence is executed in the ISC_Accessed state. When it is clocked by JTAGCLK, the startup sequence receives the JTAGCLK in TAP Run/Test Idle state while ISC_DISABLE is the current JTAG instruction. The number of clock cycles in Run/Test Idle state for successful completion of ISC_DISABLE is determined by the number of clock cycles needed to complete the startup sequence.

When UserCLK or CCLK is used to clock the startup sequence, the user should know how many JTAGCLK cycles should be spent in Run/Test Idle to complete the startup sequence successfully.

The shutdown sequence is executed when the device transitions from the Operational to the ISC_Accessed state. Shutdown is done while executing the ISC_ENABLE instruction. When the shutdown sequence is clocked using JTAGCLK, the clock is supplied in the Run/Test Idle state of the ISC_ENABLE instruction. The number of clock cycles in Run/Test Idle is determined by the number of clock cycles needed to complete the shutdown sequence.

When the shutdown sequence is clocked by CCLK or UserCLK, the user is responsible for knowing how many JTAGCLK cycles in Run/Test Idle are needed to complete the shutdown sequence. The shutdown sequence is the startup sequence in reverse order.

Note: When configuring the device through JTAG, the startup and shutdown clock should come from TCK, regardless of the selection in BitGen.