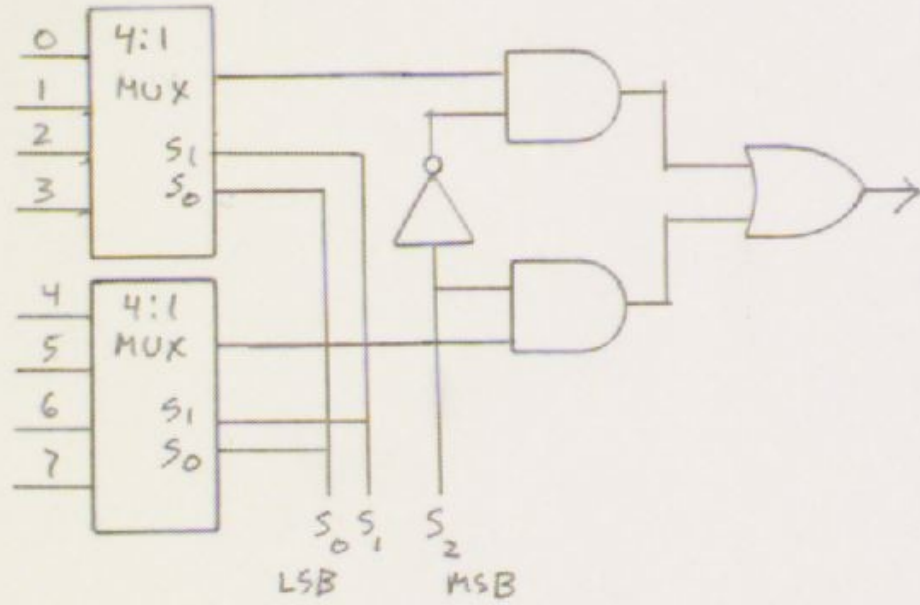


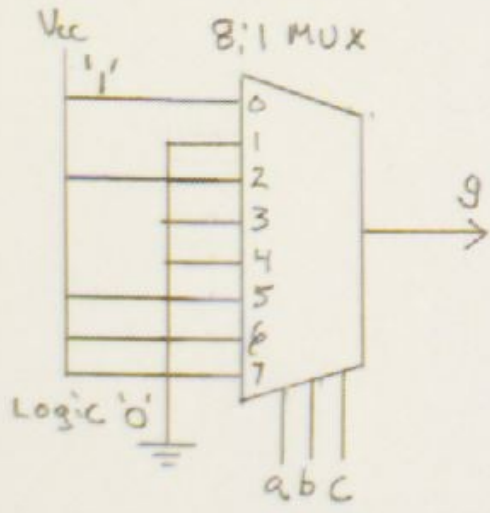
ENGR-354  
HW # 8 Solution

HW # 8 SOLUTION

1)



2)



3)

