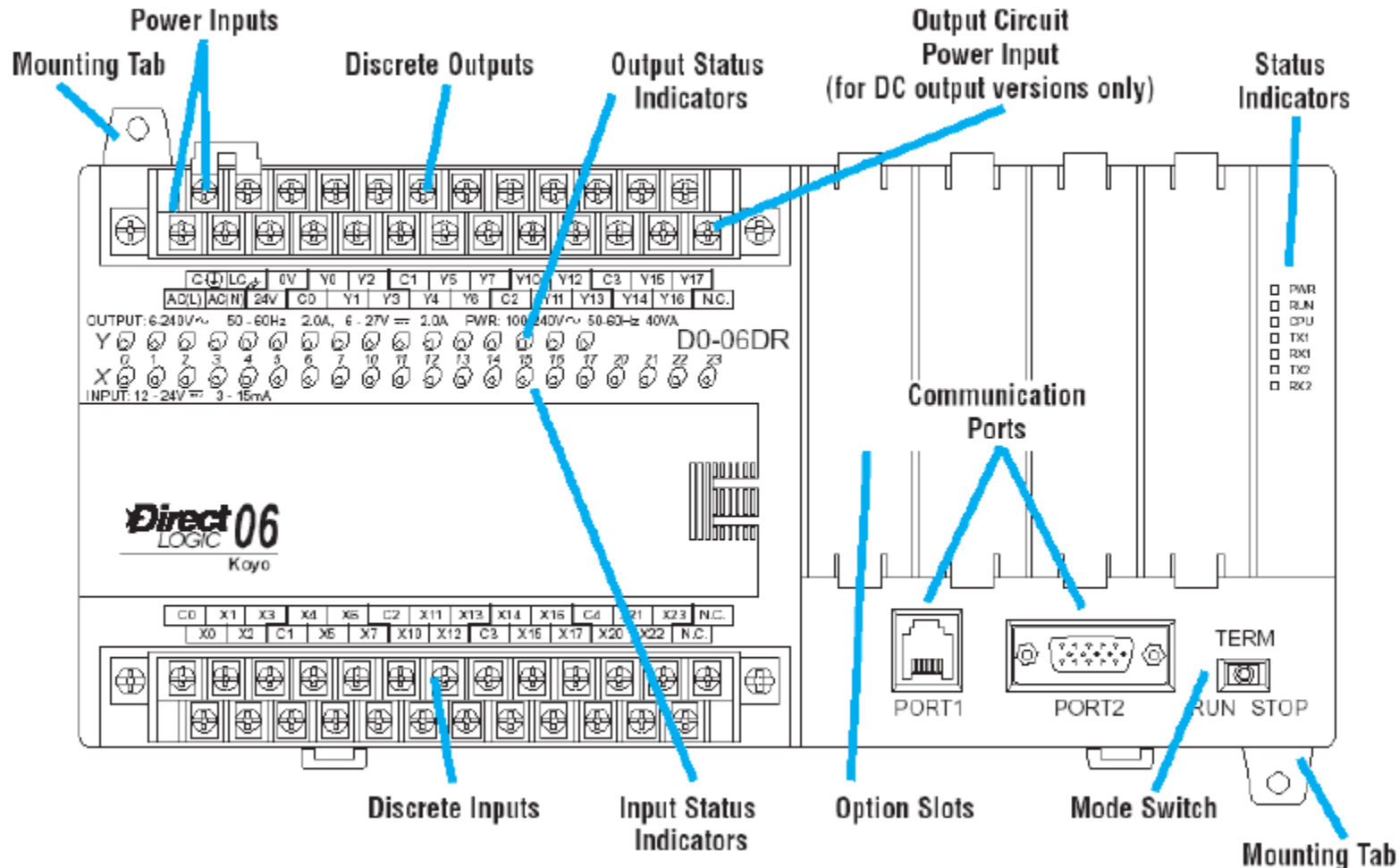


# PLC FRONT PANEL

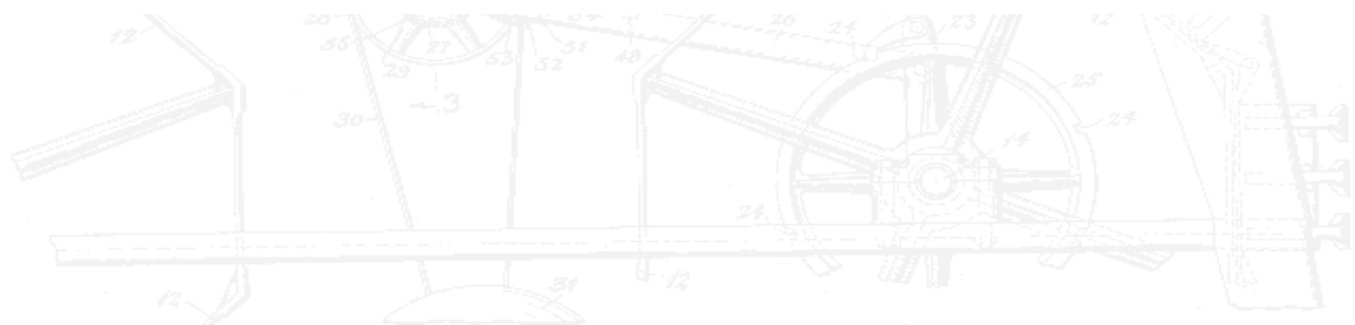
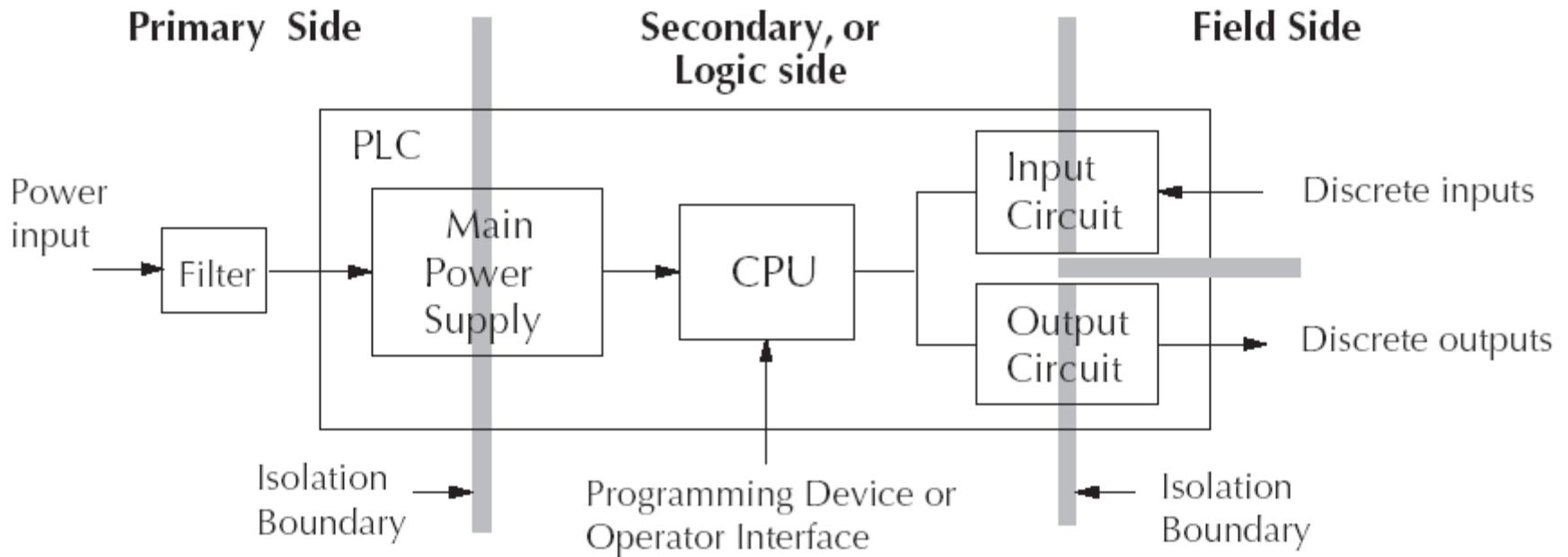


# PLC WIRING

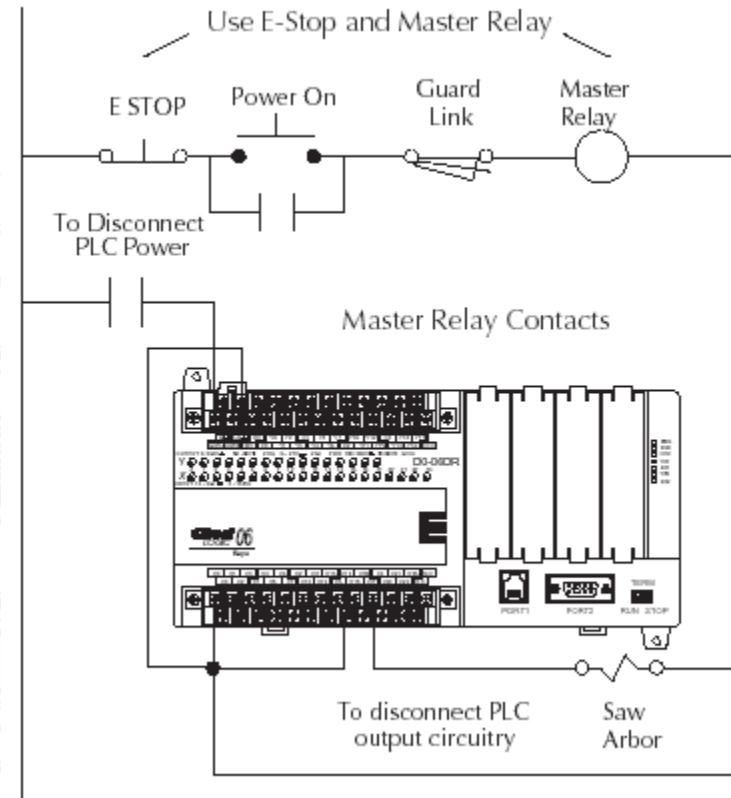
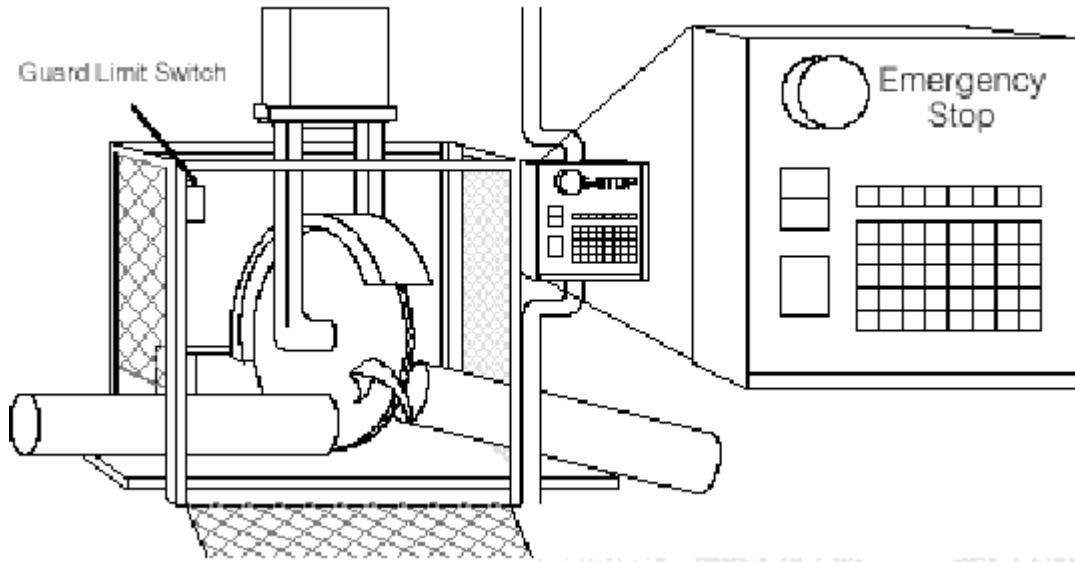
- Power Inputs
- Signal Inputs
- Control Outputs



# PLC ISOLATION

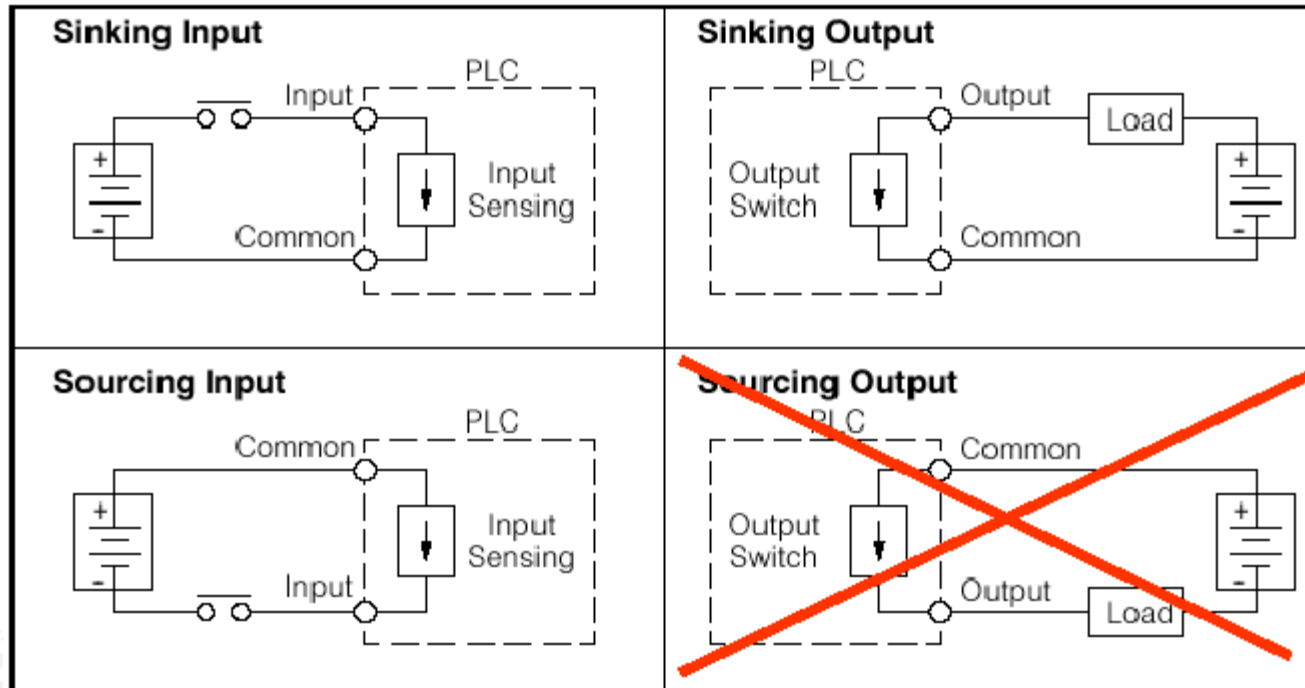


# POWER WIRING



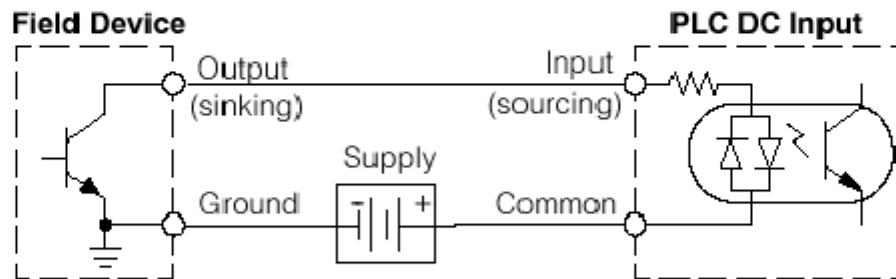
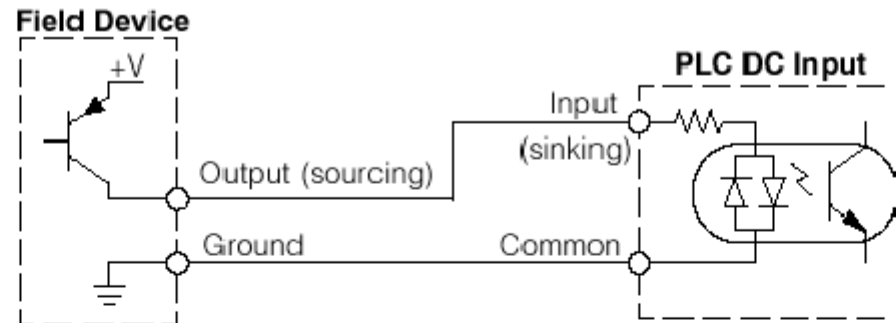
- Three levels of protection:
  - PLC logic - shutdown sequence
  - PLC output power disconnect
  - E-Stop shutdown of all energy sources

# PLC INPUTS AND OUTPUTS



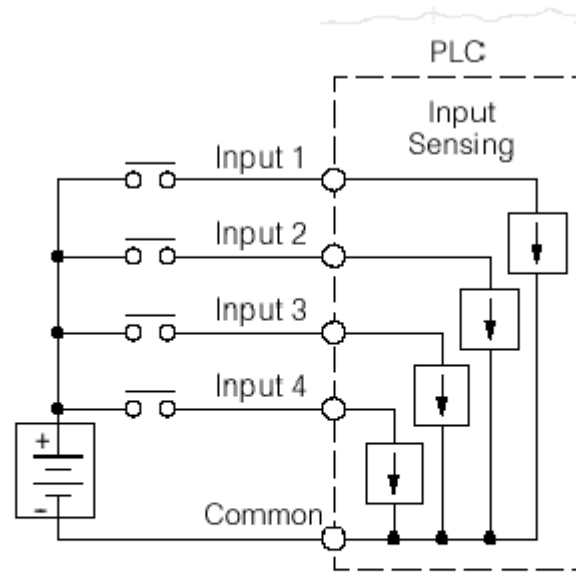
- Sinking = drawing current
- Sourcing = supplying current
- Sinking output connects to sourcing input
- Sourcing output connects to sinking input

# DL06 SIGNAL INPUTS



C0	X1	X3	X4	X6	C2	X11	X13	X14	X16	C4	X21	X23	N.C.
X0	X2	C1	X5	X7	X10	X12	C3	X15	X17	X20	X22	N.C.	

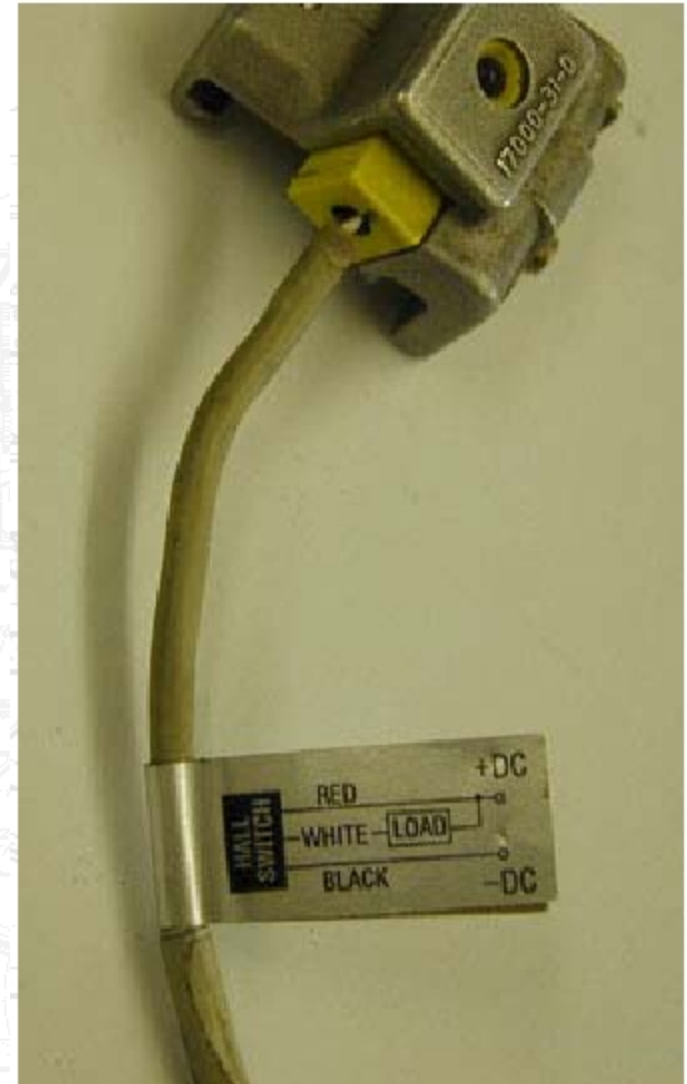
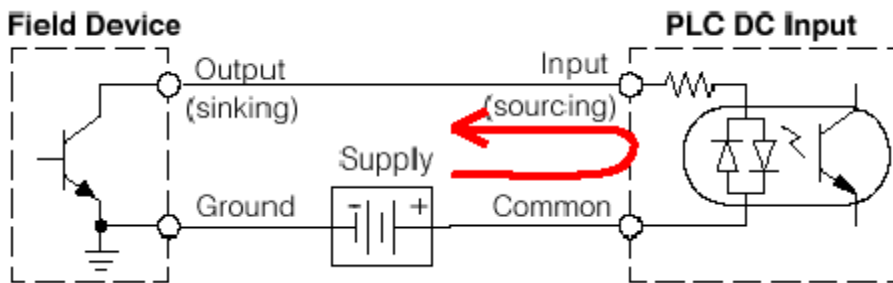
# SIGNAL INPUTS



*Multiple sinking inputs*

# TYPICAL INPUT DEVICE

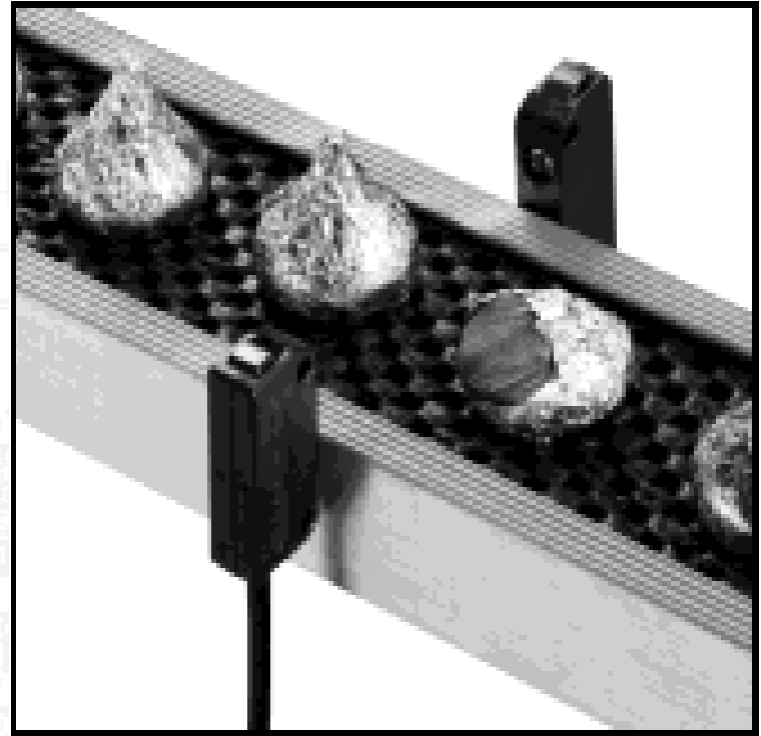
- The tag indicates that the LOAD (PLC input) has a +DC common
  - this is a sinking output
  - Sinking output => sourcing input



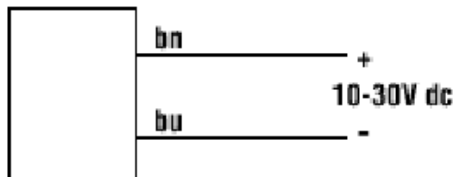


# ANOTHER INPUT DEVICE

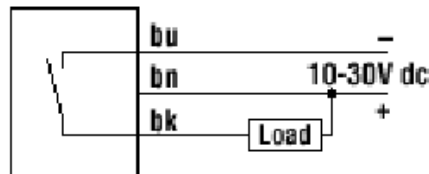
- Photosensor –  
comes in either  
NPN (sinking) or  
PNP (sourcing)



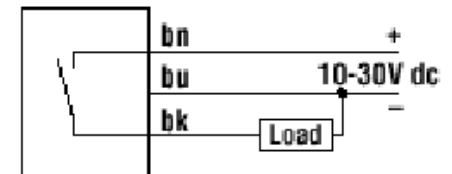
**Emitters**  
Cabled Hookup



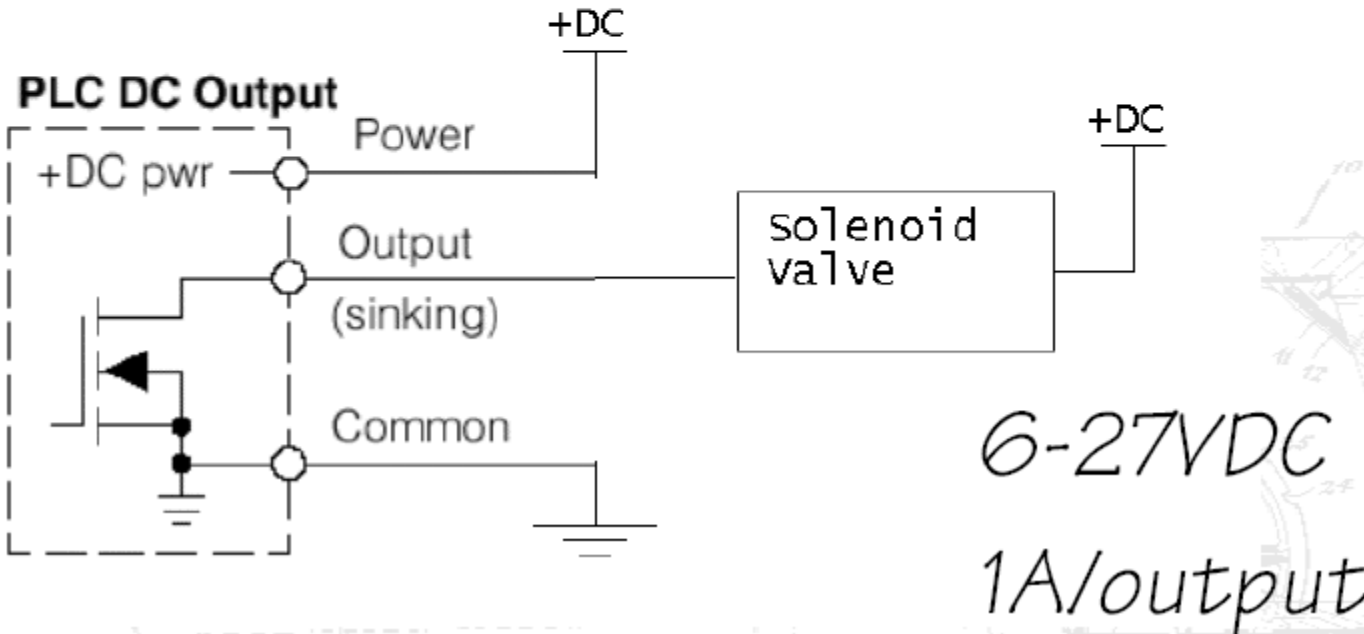
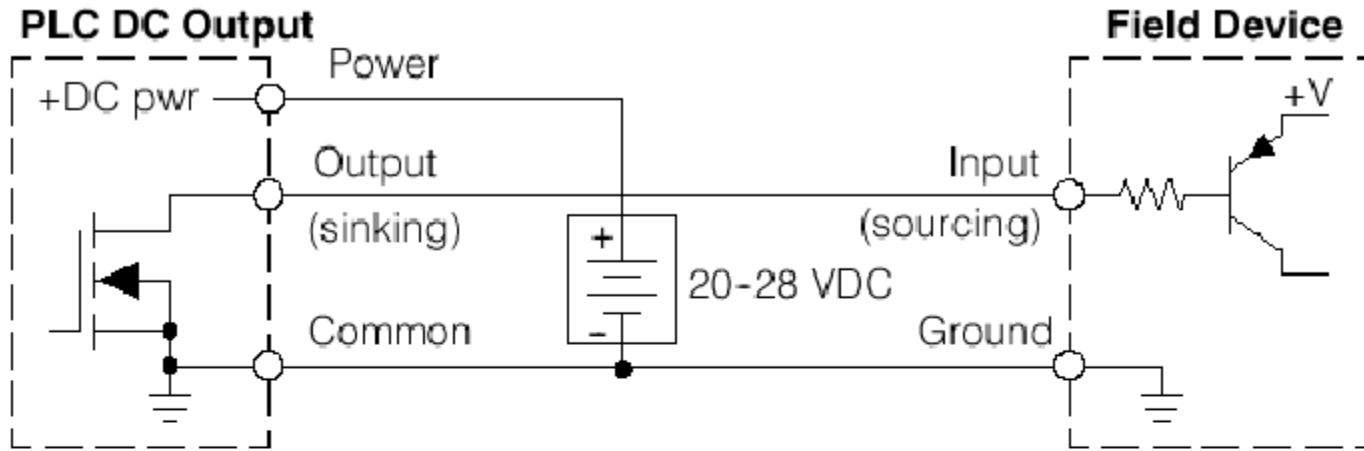
**Receivers with NPN Outputs**  
Cabled Hookup



**Receivers with PNP Outputs**  
Cabled Hookup

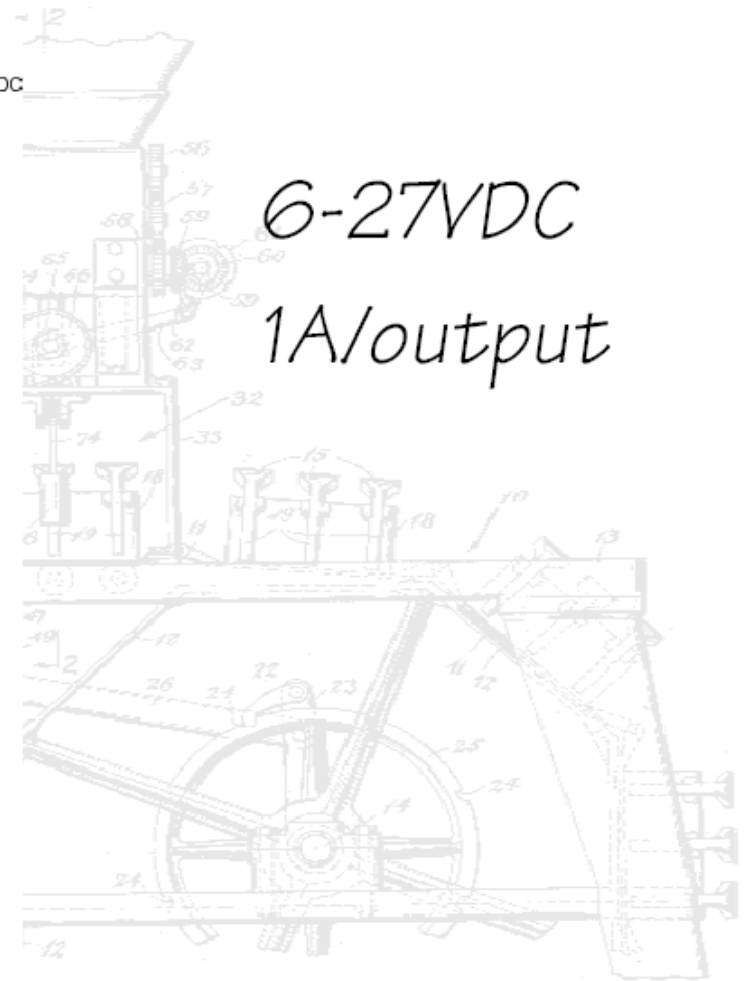
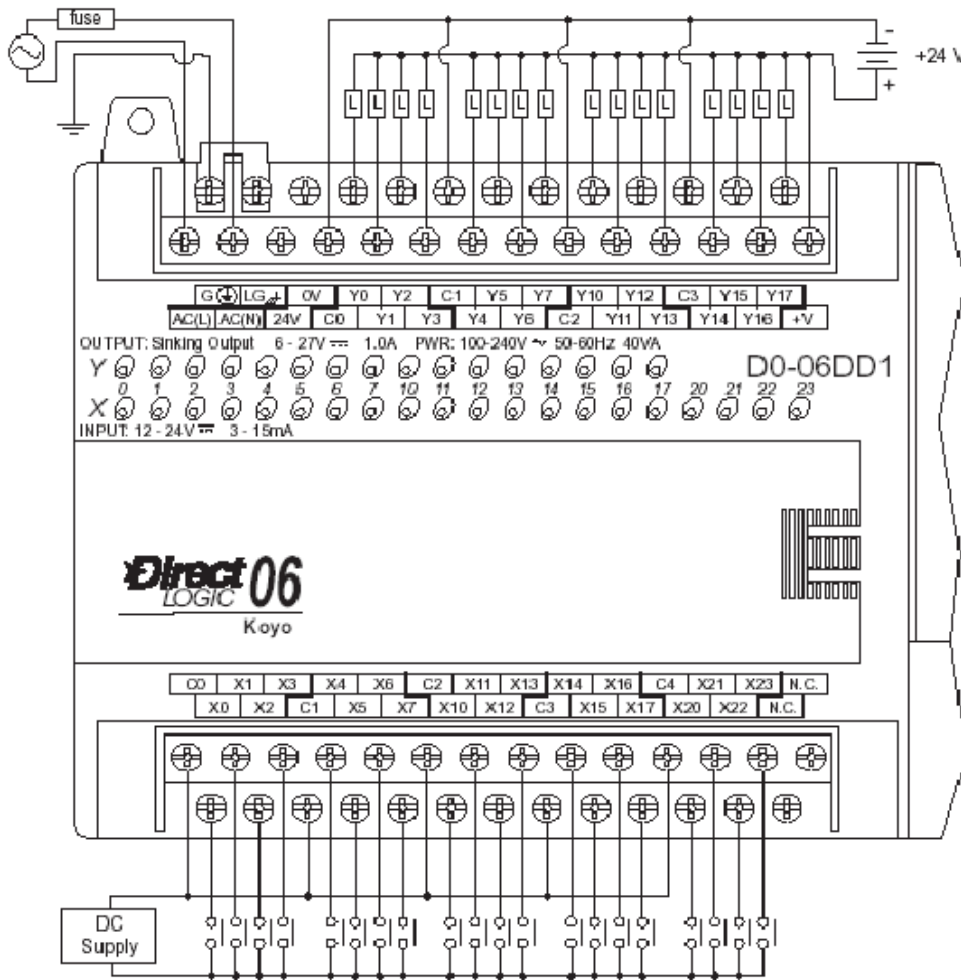


# DC CONTROL OUTPUTS



# DC CONTROL OUTPUTS

V	Y0	Y2	C1	Y5	Y7	Y10	Y12	C3	Y15	Y17
C0	Y1	Y3	Y4	Y6	C2	Y11	Y13	Y14	Y16	+V



6-27VDC  
1A/output

# WIRING METHODS

---

